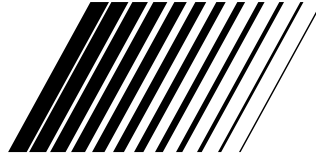




JVC



GR-AX1027

COMPACT VHS CAMCORDER

VIDEOCAMARA VHS COMPACTO

CÂMERA VHS COMPACT

GR-AX1027

ENGLISH

ESPAÑOL

PORTUGUÊS



Compact VHS



INSTRUCTIONS

MANUAL DE INSTRUCCIONES
INSTRUÇÕES

ed in Japan
MKV*UN*VP

YU30052-536



Dear Customer,

Thank you for purchasing the JVC Compact VHS camcorder. Before use, please read the safety information and precautions contained in the following pages to ensure safe use of your new camcorder.

Using This Instruction Manual

- All major sections and subsections are listed in the Table Of Contents (☞ pg. 7).
- Notes appear after most subsections. Be sure to read these as well.
- Basic and advanced features/operation are separated for easier reference.

It is recommended that you . . .

- refer to the Index (☞ pgs. 49 – 52) and familiarize yourself with button locations, etc. before use.
- read thoroughly the Safety Precautions that follow and cautions (☞ pgs. 53, 54). They contain extremely important information regarding the safe use of your new camcorder.

SAFETY PRECAUTIONS

WARNING:
TO PREVENT FIRE OR SHOCK HAZARD, DO NOT EXPOSE THIS UNIT TO RAIN OR MOISTURE.

CAUTIONS:

- To prevent shock, do not open the cabinet. No user serviceable parts inside. Refer servicing to qualified personnel.
- When you are not using the AC Power Adapter/Battery charger for a long period of time, it is recommended that you disconnect the power cord from AC outlet.



- Camcorder is designed exclusively for the VHS-C video cassette. Only cassettes marked VHS-C can be used with this unit.
- HQ VHS is compatible with existing VHS equipment.

Warning on lithium battery

The battery used in this device may present a fire or chemical burn hazard if mistreated. Do not recharge, disassemble, heat above 100°C or incinerate.

Replace battery with Panasonic (Matsushita Electric), Sanyo or Maxell CR2025; use of another battery may present a risk of fire or explosion.

- Dispose of used battery promptly.
- Keep away from children.
- Do not disassemble and do not dispose of in fire.

This camcorder is designed to be used with NTSC-type colour television signals. It cannot be used for playback with a television of a different standard. However, live recording is possible anywhere. Use the BN-V12U/V22U/V25U battery packs and, to recharge them, the provided multi-voltage AC Power Adapter/Charger. (An appropriate conversion adapter may be necessary to accommodate different designs of AC outlets in different countries.)

NOTES:

- The rating plate (serial number plate) and safety caution are on the bottom and/or the back of the main unit.
- The rating plate (serial number plate) of the AC Power Adapter/Charger is on its bottom.

This unit is produced to comply with Standard IEC Publ. 65.



IMPORTANT PRODUCT SAFETY INSTRUCTIONS

Electrical energy can perform many useful functions. But improper use can result in potential electrical shock or fire hazards. This product has been engineered and manufactured to assure your personal safety. In order not to defeat the built-in safeguards, observe the following basic rules for its installation, use and servicing.

ATTENTION:

Follow and obey all warnings and instructions marked on your product and its operating instructions. For your safety, please read all the safety and operating instructions before you operate this product and keep this manual for future reference.

INSTALLATION

1. Power Sources

Operate your product only from the type of power source indicated on the marking label. If you are not sure of the type of power supply to your home, consult your product dealer or local power company. If your product is intended to operate from battery power, or other sources, refer to the operating instructions.

2. Overloading

Do not overload wall outlets, extension cords, or integral convenience receptacles as this can result in a risk of fire or electric shock.

3. Power Cord Protection

Power supply cords should be routed so that they are not likely to be walked on or pinched by items placed upon or against them, paying particular attention to cords at plugs, convenience receptacles, and the point where they exit from the product.

4. Ventilation

Slots and openings in the cabinet are provided for ventilation. To ensure reliable operation of the product and to protect it from overheating, these openings must not be blocked or covered.

- Do not block the openings by placing the product on a bed, sofa, rug or other similar surface.
- Do not place the product in a built-in installation such as a bookcase or rack unless proper ventilation is provided or the manufacturer's instructions have been adhered to.

5. Wall or Ceiling Mounting

The product should be mounted to a wall or ceiling only as recommended by the manufacturer.

ANTENNA INSTALLATION INSTRUCTIONS

1. Outdoor Antenna Grounding

If an outside antenna or cable system is connected to the product, be sure the antenna or cable system is grounded so as to provide some protection against voltage surges and built-up static charges. Article 810 of the National Electrical Code, ANSI/NFPA 70, provides information with regard to proper grounding of the mast and supporting structure, grounding of the lead-in wire to an antenna discharge unit, size of grounding conductors, location of antenna discharge unit, connection to grounding electrodes, and requirements for the grounding electrode.

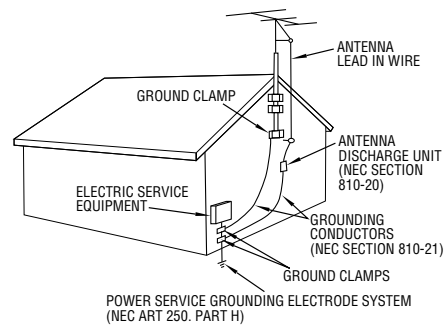
2. Lightning

For added protection for this product during a lightning storm, or when it is left unattended and unused for long periods of time, unplug it from the wall outlet and disconnect the antenna or cable system. This will prevent damage to the product due to lightning and power-line surges.

3. Power Lines

An outside antenna system should not be located in the vicinity of overhead power lines or other electric light or power circuits, or where it can fall into such power lines or circuits. When installing an outside antenna system, extreme care should be taken to keep from touching such power lines or circuits as contact with them might be fatal.

EXAMPLE OF ANTENNA GROUNDING AS PER NATIONAL ELECTRICAL CODE, ANSI/NFPA 70



NEC - NATIONAL ELECTRICAL CODE

4 EN

USE

1. Accessories

To avoid personal injury:

- Do not place this product on an unstable cart, stand, tripod, bracket or table. It may fall, causing serious injury to a child or adult, and serious damage to the product.
- Use only with a cart, stand, tripod, bracket, or table recommended by the manufacturer or sold with the product.
- Use a mounting accessory recommended by the manufacturer and follow the manufacturer's instructions for any mounting of the product.
- Do not try to roll a cart with small casters across thresholds or deep-pile carpets.

2. Product and Cart Combination

A product and cart combination should be moved with care. Quick stops, excessive force, and uneven surfaces may cause the product and cart combination to overturn.

3. Water and Moisture

Do not use this product near water—for example, near a bath tub, wash bowl, kitchen sink or laundry tub, in a wet basement, or near a swimming pool and the like.

PORTABLE CART WARNING
(Symbol provided by RETAC)



4. Object and Liquid Entry

Never push objects of any kind into this product through openings as they may touch dangerous voltage points or short-out parts that could result in a fire or electric shock. Never spill liquid of any kind on the product.

5. Attachments

Do not use attachments not recommended by the manufacturer of this product as they may cause hazards.

6. Cleaning

Unplug this product from the wall outlet before cleaning. Do not use liquid cleaners or aerosol cleaners. Use a damp cloth for cleaning.

7. Heat

The product should be situated away from heat sources such as radiators, heat registers, stoves, or other products (including amplifiers) that produce heat.

SERVICING

1. Servicing

If your product is not operating correctly or exhibits a marked change in performance and you are unable to restore normal operation by following the detailed procedure in its operating instructions, do not attempt to service it yourself as opening or removing covers may expose you to dangerous voltage or other hazards. Refer all servicing to qualified service personnel.

2. Damage Requiring Service

Unplug this product from the wall outlet and refer servicing to qualified service personnel under the following conditions:

- a. When the power supply cord or plug is damaged.
- b. If liquid has been spilled, or objects have fallen into the product.
- c. If the product has been exposed to rain or water.
- d. If the product does not operate normally by following the operating instructions. Adjust only those controls that are covered by the operating instructions as an improper adjustment of other controls may result in damage and will often require extensive work by a qualified technician to restore the product to its normal operation.
- e. If the product has been dropped or damaged in any way.
- f. When the product exhibits a distinct change in performance—this indicates a need for service.

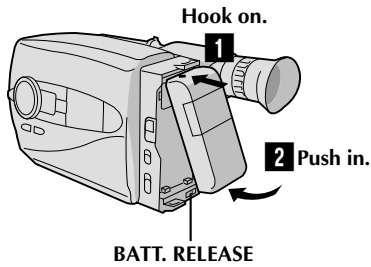
3. Replacement Parts

When replacement parts are required, be sure the service technician has used replacement parts specified by the manufacturer or have the same characteristics as the original part. Unauthorized substitutions may result in fire, electric shock or other hazards.

4. Safety Check

Upon completion of any service or repairs to this product, ask the service technician to perform safety checks to determine that the product is in safe operating condition.

SUPPLY POWER



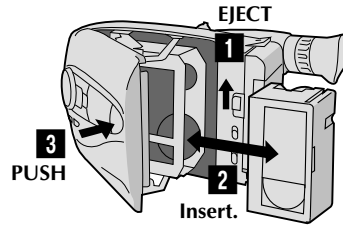
Using the battery pack

- 1 Hook-on the battery pack's top end to the camcorder. (Charging procedure, P. 8)
- 2 Push in the battery pack until it locks into place.

To remove the battery pack

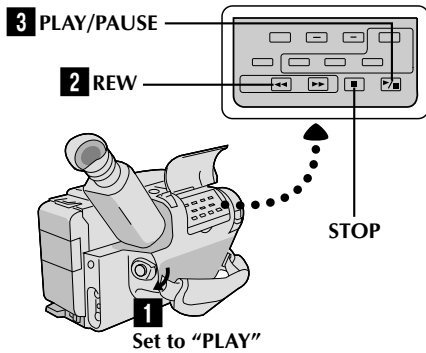
Slide BATT. RELEASE and pull out the battery pack.

INSERTING A VIDEO CASSETTE



- 1 Slide EJECT.
- 2 Insert a video cassette.
- 3 Press PUSH.
(For more details, P. 13)

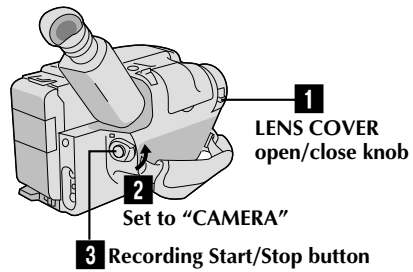
PLAYBACK



- 1 Set the power switch to "PLAY".
 - 2 Press **REW**.
— The tape will automatically stop at the beginning of the tape.
 - 3 Press **PLAY/PAUSE**.
— Playback starts and the playback picture appears in the viewfinder.
- To stop playback, press **STOP**.
(For more details, P. 38.)

■ Or simply play back the tape on a VHS VCR using the Cassette Adapter (VHS Playpak). P. 36

SHOOTING



- 1 Slide the LENS COVER open/close knob to open the lens cover.
 - 2 Set the power switch to "CAMERA".
— The power indicator will light and an image will appear in the viewfinder.
 - 3 Press **RECORDING START/STOP**.
— Recording starts.
- To stop recording temporarily, momentarily press the Recording Start/Stop button once again.
(For more details, P. 16)

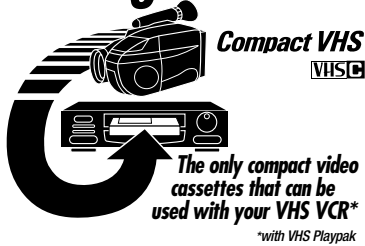


6 EN

MAJOR FEATURES

REMEMBER

The Logical Choice



Program AE with Special Effects (pg. 26)

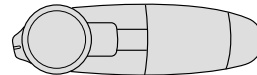
- Cinema ■ Sepia ■ Twilight ■ Sports
- High Speed (1/2000 sec.) Shutter
- Classic Film ■ Strobe ■ Slow Shutter

Digital Wipes and Fades (pg. 28)

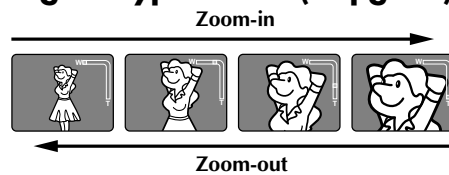
- Black Fader
- Mosaic Fader
- Slide Wipe
- Dissolve
- Blue Fader
- Shutter Wipe
- Corner Wipe
- Auto Select

Built-In Auto Light (pg. 19)

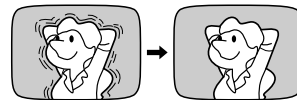
Multi Function Control (pg. 22 - 35)



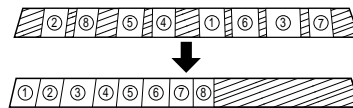
Digital Hyper Zoom (pg. 17)



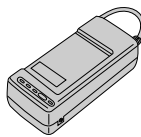
Digital Image Stabilizer (pg. 22)



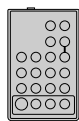
Random Assemble Editing (pg. 40 - 43)



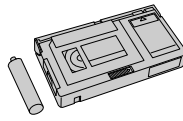
PROVIDED ACCESSORIES



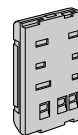
• AC Power Adapter/Charger AA-V11EG



• Remote Control Unit RM-V706U



• Cassette Adapter (VHS PlayPak) C-P7U



• Battery Pack BN-V12U



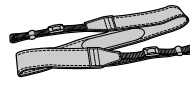
• Lithium Battery CR2025



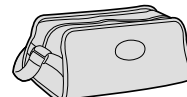
• DC Cord



• Editing Cable



• Shoulder Strap



• Carrying bag CB-V8U



CONTENTS

EN **7**

GETTING STARTED	8
Power	8
Clock (Lithium) Battery Removal/Insertion	10
Viewfinder Adjustment	10
Date/Time Setting	11
Tape Length Setting	12
Recording Mode Setting	13
Loading/Unloading A Cassette	13
Grip Adjustment	14
Shoulder Strap Attachment	14
Tripod Mounting	14
Using The RM-V706U Remote Control Unit	15
RECORDING	16
Basic Recording	16
Basic Features	17
Video Light	19
Advanced Features	20
Date/Time Insert	20
Snapshot	21
Digital Image Stabilizer (D.I.S.)	22
Exposure Control	22
White Balance Adjustment	23
Focusing	24
Program AE With Special Effects	26
Fade/Wipe	28
Using Menu For Detailed Adjustment	30
Instant Titles	32
Self-Timer	34
Animation	35
Time Lapse	35
PLAYBACK	36
Using The Cassette Adapter	36
Basic Connections	37
Basic Playback	38
Features	39
EDITING	40
Tape Dubbing	40
Random Assemble Editing [R.A.Edit]	40
Insert Editing	44
Audio Dubbing	45
USER MAINTENANCE	46
TROUBLESHOOTING	47
INDEX	49
Controls	49
Connectors	50
Indicators	50
Other Parts	50
Viewfinder	51
Terms	52
CAUTIONS	53
SPECIFICATIONS	55



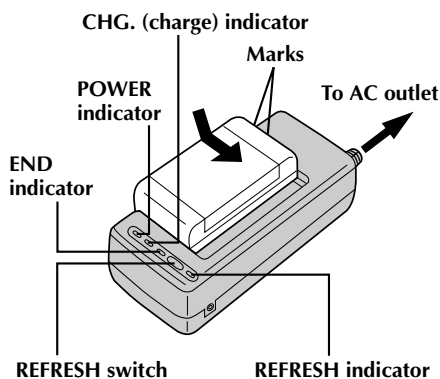
Power

This camcorder's 3-way power supply system lets you choose the most appropriate source of power.

NOTES:

- No function is available without power supply.
- Use only specified power supply.
- Do not use provided power supply units with other equipment.

CHARGING THE BATTERY PACK



1 SUPPLY POWER

Connect the charger's AC power cord to a wall outlet. The power indicator lights.

2 ATTACH BATTERY PACK

Align the marks and slide the battery pack in the direction of the arrow until it locks in place. The CHG. indicator lights.

3 DETACH BATTERY PACK

When charging is completed, the END indicator lights. Slide the battery pack opposite the direction of the arrow.

BATT. PACK	CHARGE	DISCHARGE
BN-V12U	approx. 1 hr. 10 min.	approx. 3 hrs. 30 min.
BN-V22U	approx. 2 hrs. 10 min.	approx. 7 hrs.
BN-V25U	approx. 2 hrs. 40 min.	approx. 10 hrs.

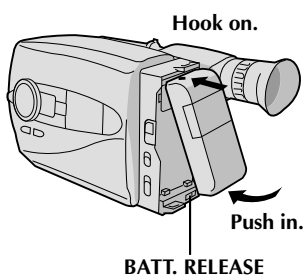
USING THE BATTERY PACK

1 ATTACH BATTERY PACK

Hook its top end to the camcorder and push the battery pack in until it locks in place.

2 DETACH BATTERY PACK

Slide BATT. RELEASE and pull out the battery pack.



BATT. PACK	RECORDING TIME
BN-V12U	approx. 1 hr. (35 min.)
BN-V22U	approx. 2 hrs. 10 min. (1 hr. 20 min.)
BN-V25U	approx. 2 hrs. 50 min. (1 hr. 50 min.)

() : When the Video Light is on

**REFRESH

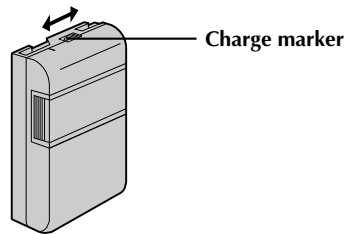
The AC power adapter features a REFRESH function that allows you to fully discharge the battery pack before recharging.

To discharge the battery . . .

.... attach the battery pack to the adapter as shown in the illustration to the left. Then push REFRESH. The REFRESH indicator lights when discharging starts, and goes out when discharging is complete.

ATTENTION:

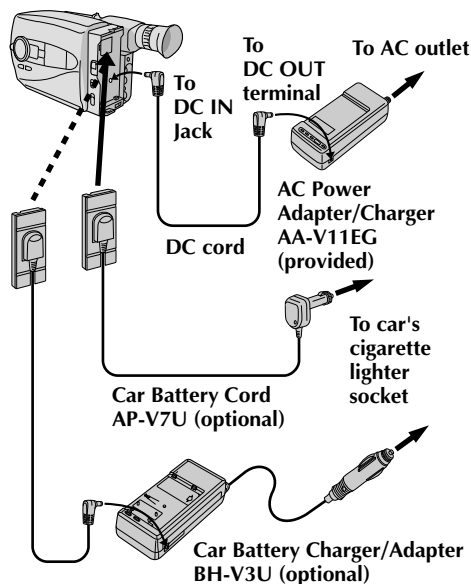
Before detaching the power source, make sure that the camcorder's power is turned off. Failure to do so can result in a camcorder malfunction.

****CHARGE MARKER**

A charge marker is provided on the battery pack to help you remember whether it has been charged or not. Two colors are provided (red and black)—you choose which one means charged and which means discharged.

NOTES:

- The recording time per charge is affected by such factors as the time spent in Record/Standby mode and the frequency of zooming. It is safer to have spare battery packs.
- Charging times noted on page 8 are for fully discharged battery pack, and discharging times are for fully charged battery pack.
- Charging and discharging times vary according to the ambient temperature and the status of the battery pack.
- Remember to set the charge marker after charging a battery pack or after detaching a discharged one from your camcorder.
- Perform the REFRESH function after no less than 5 chargings.
- High temperatures can damage the battery pack, so use only where good ventilation is available. Don't allow it to discharge in container, such as a bag.
- If you stop recharging or discharging part way through, make sure to remove the battery pack before unplugging the adapter's AC cord.
- Remove the battery pack from the adapter immediately after discharging.
- To avoid interference with reception, do not use the AC Power Adapter/Charger near a radio.
- Make sure you unplug the DC cord before charging or discharging the battery pack.
- A blinking CHG. indicator means that the battery pack has become hot. Wait until it cools down to continue.
- The CHG. indicator may not light properly with a brand new battery pack, or with one that's been stored for an extended period. In this case, remove and reattach the battery pack and recharge it. The CHG. indicator should light during recharging. If not, contact your nearest JVC dealer.

**USING A CAR BATTERY**

Use the optional Car Battery Cord or Car Battery Charger/Adapter (connect as shown in the illustration to the left).

NOTES:

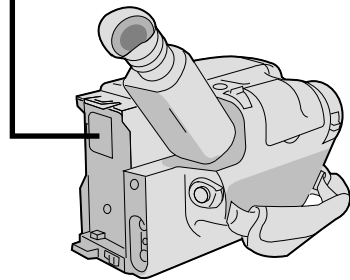
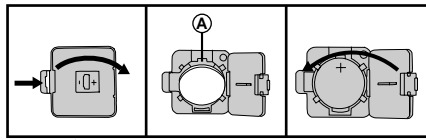
- When using the car battery, leave the engine idling.
- The optional Car Battery Charger (BH-V3U) can also be used to charge the battery pack.
- When using the optional Car Battery Charger or Car Battery Cord (AP-V7U), refer to the respective instruction booklet.

USING AC POWER

Use the AC Power Adapter (connect as shown in the illustration to the left).

NOTE:

The supplied AC Power Adapter/Charger features automatic voltage selection in the AC range from 110 V to 240 V.



Clock (Lithium) Battery Insertion/Removal

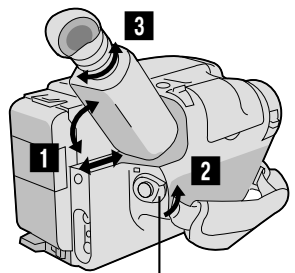
This battery is necessary for clock operation and to perform date/time settings.

- 1 SWITCH OFF POWER**
Switch off the unit's power and remove the power supply unit.
- 2 OPEN COVER**
Open the clock battery compartment cover while pressing the release tab.
- 3 REMOVE BATTERY (when replacing)**
Insert a pointed, non-metallic object between the battery and the compartment (A) and pull the battery out.
- 4 INSERT BATTERY**
Ensuring the plus (+) side is up, insert a CR2025 lithium battery and push it in.
- 5 CLOSE COVER**
Close the compartment cover until it clicks in place.

NOTE:

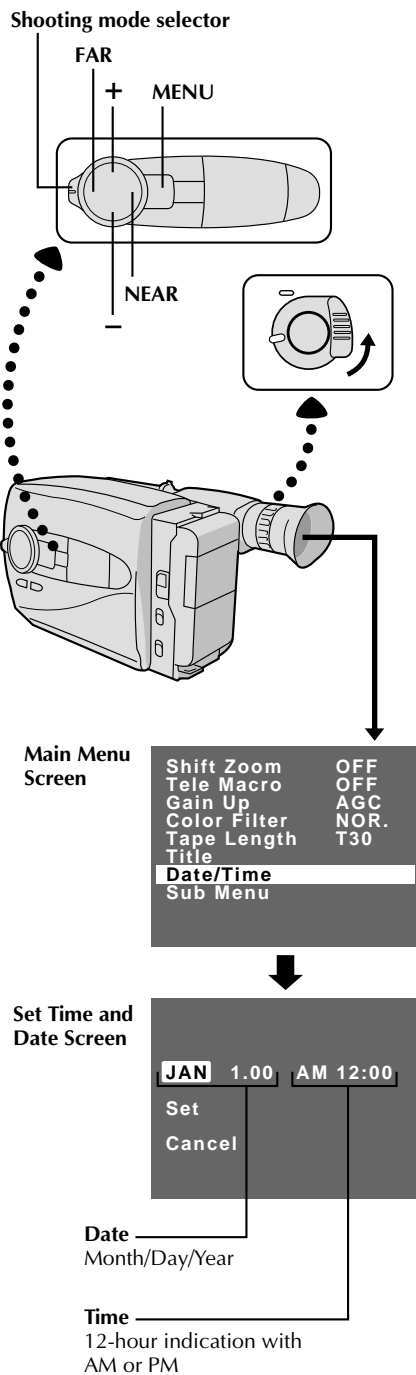
See "SAFETY PRECAUTIONS" (pg. 2) for information on safe handling of lithium batteries.

Viewfinder Adjustment



Set POWER to "CAMERA".

- 1 POSITION VIEWFINDER**
Adjust the viewfinder manually for best viewability (see illustration at left).
- 2 SELECT MODE**
Set the power switch to CAMERA.
- 3 ADJUST DIOPTR**
Turn the diopter adjustment control until the indications in the viewfinder are clearly focused.

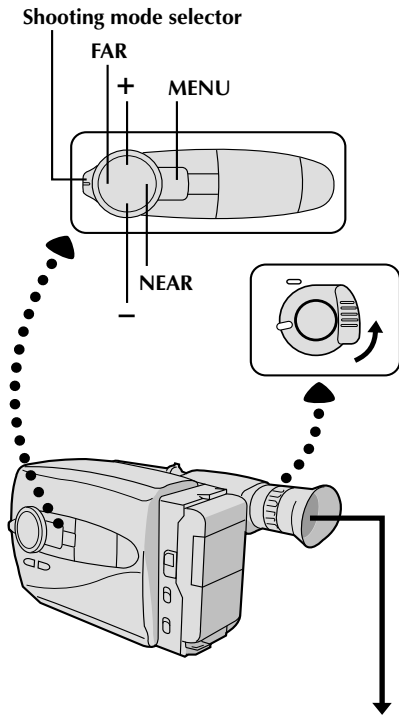


Date/Time Setting

- 1 SELECT MODE**
Set the Power switch to "CAMERA", and the Shooting Mode selector to "PRESET".
- 2 ACCESS MAIN MENU SCREEN**
Press **MENU**.
- 3 SELECT FUNCTION**
Press **-** to move the highlight bar down to "Date/Time", then press **NEAR**. The Set Date And Time screen appears.
- 4 SET DATE/TIME**
Press **FAR** or **NEAR** until the item you want to set begins blinking, then press **+** or **-** to until the correct setting appears.
 - If you decide you want to return the date and time to the previous settings, press **FAR** or **NEAR** to move the highlight bar to "Cancel", then press **MENU**.
 - If you're satisfied with the settings, go on to step 5.
- 5 START CLOCK OPERATION**
Once you've set the month, day, year and time, press **FAR** or **NEAR** until "Set" begins to blink, then press **MENU**. The Main Menu screen reappears.
- 6 CLOSE MAIN MENU**
Press **MENU**.

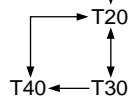
NOTES:

- To display the date and time in the viewfinder and on a connected TV, see "Date/Time Insert" (pg. 20).
- If, in step 4, you input an invalid date (FEB 30, JUN 31, etc.) and perform step 5, "Input Error" appears blinking at the bottom of the screen. Press **+**, **-**, **FAR** or **NEAR** to make the day blink, and input the correct number.



Main Menu Screen

Shift Zoom	OFF
Tele Macro	OFF
Gain Up	AGC
Color Filter	NOR.
Tape Length	T40
Title	
Date/Time	
Sub Menu	

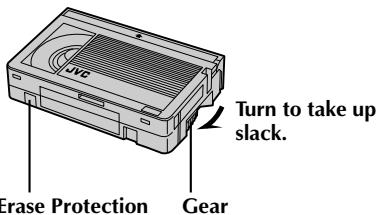
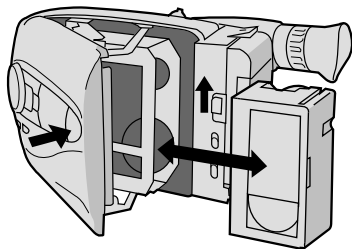
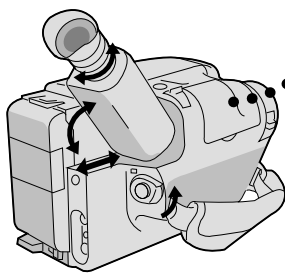
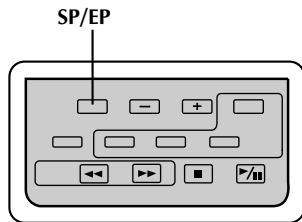


Tape Length Setting

- 1 SELECT MODE**
Set the Power switch to "CAMERA", and the Shooting Mode selector to "PRESET".
- 2 ACCESS MAIN MENU SCREEN**
Press MENU.
- 3 SELECT FUNCTION**
Press + or - to move the highlight bar to "Tape Length".
- 4 SET TAPE LENGTH**
Press FAR or NEAR to cycle through until the correct setting appears (depending on the tape used). T20 = 20 minutes of recording time, T30 = 30 min., and T40 = 40 min. (when recording in SP mode).
- 5 CLOSE MAIN MENU**
Press MENU.

NOTE:

The tape remaining time (pg. 16) displayed in the viewfinder is correct only if the correct tape length has been selected.



Recording Mode Setting

- 1 Pressing **SP/EP** alternates the setting between SP (standard play-provides higher picture and sound quality, better for dubbing) and EP (Extended Play-more economical, recording at 1/3 the speed of SP).

NOTE:

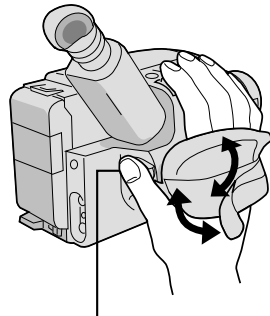
If the recording mode is switched during recording, the playback picture will be blurred at the switching point.

Loading/Unloading A Cassette

- 1 **OPEN CASSETTE HOLDER**
Slide EJECT until the holder opens. Do not use force to open.
- 2 **INSERT/REMOVE CASSETTE**
Make sure the label is facing outward.
- 3 **CLOSE CASSETTE HOLDER**
Press PUSH and make sure the holder is closed and locked.

NOTES:

- A cassette holder can't be opened unless a power supply is attached.
- Make sure that the tape is not slack when loading the cassette. If there is any slack, turn the gear on the cassette in the direction of the arrow to take up the slack.
- Make sure the Erase Protection tab is present. If not, cover the hole with adhesive tape. (Some cassettes have sliding tabs – in this case, check the tab's position.)



Recording Start/Stop button

Grip Adjustment

EXPAND LOOP

- 1** Separate the Velcro strip.

INSERT HAND

- 2** Pass your right hand through the loop and grasp the grip.

ADJUST STRAP LENGTH

- 3** Adjust so your thumb and fingers can easily operate the Recording Start/Stop button and Power Zoom lever. Refasten the Velcro strip.

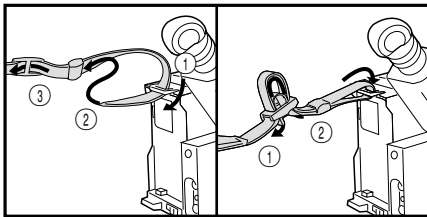
Shoulder Strap Attachment

ATTACH STRAP

- 1** Following the illustration at left, thread the strap through the top of the eyelet ①, then fold it back and thread it through the keeper ②, and then through the buckle ③. Repeat the procedure to attach the other end of the strap to the other eyelet, making sure the strap isn't twisted.

ADJUST LENGTH

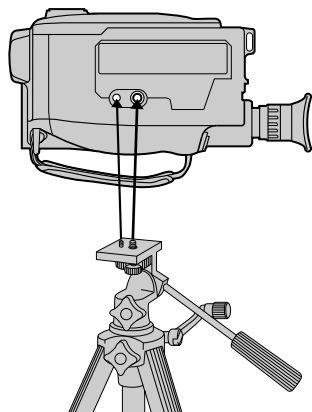
- 2** Adjust as shown in the illustration at left ①, then slide both keepers snug against the eyelets to prevent slipping ②.



Tripod Mounting

ALIGN AND TIGHTEN

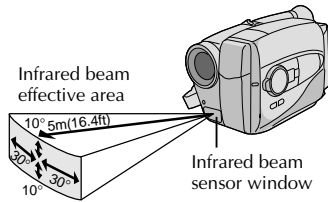
- 1** Align the screw and camera direction stud on the tripod with the camera's mounting socket and stud hole. Then tighten the screw.



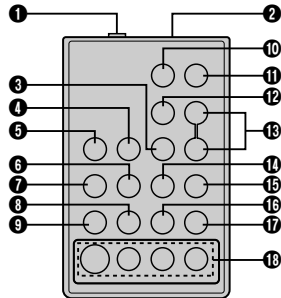


Using The RM-V706U Remote Control Unit

The RM-V706U full-function MBR (Multi-Brand Remote) can operate this camcorder from a distance as well as the basic operations (PLAY, STOP, PAUSE, FF, and REW) of your VCR. This remote control unit is useful when dubbing from the camcorder to your VCR, and it makes additional recording functions possible.



The transmitted beam may not be effective or may cause incorrect operation when the infrared beam sensor window is directly exposed to sunlight or powerful lighting.



Installing The Battery

1 PULL OUT BATTERY HOLDER

Pull out while sliding the lock hole.

2 INSERT BATTERY

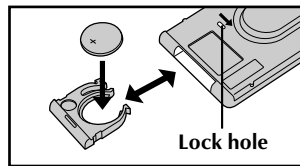
Making sure the plus (+) side is up, insert the lithium battery (CR2025) into the battery holder.

3 REPLACE BATTERY HOLDER

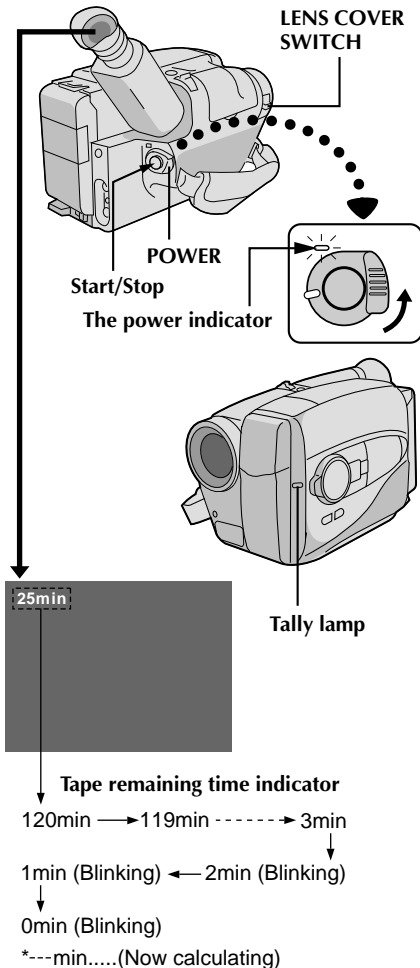
Insert the battery holder into the remote control unit, and push the holder until it clicks into place.

NOTE:

Read the caution concerning lithium batteries (☞ pg. 2).



BUTTONS	FUNCTIONS	
	With the camcorder's power switch set to "CAMERA".	With the camcorder's power switch set to "PLAY".
① PAUSE IN Connector	—	(☞ P. 42)
② Infrared beam transmitting window	Transmits the beam signal.	
③ MBR SET Button	—	(☞ P. 41)
④ INT. TIME Button	Self-Timer/Time-Lapse (☞ pg. 34, 35)	—
⑤ REC TIME Button	Animation/Time-Lapse (☞ pg. 35)	—
⑥ FF Button	Retake (forward) (☞ pg. 18)	FF/FF Shuttle Search (☞ pg. 38)
⑦ REW Button	Retake (rewind)/Quick Review (☞ pg. 17)	Rew/Rew Shuttle Search (☞ pg. 38)
⑧ PAUSE Button	—	Pause/Play (☞ pg. 38)
⑨ PLAY Button	—	Playback start (☞ pg. 38)
⑩ SNAPSHOT Button	Functions same as the SNAPSHOT Button on the camcorder (☞ pg. 21).	—
⑪ START/STOP Button	Functions same as the Recording Start/Stop Button on the camcorder.	—
⑫ VISS Button	Index Code marking (☞ pg. 18)	—
⑬ ZOOM (T/W) Buttons	Zoom in and out (☞ pg. 17)	
⑭ VCR CTL Button	—	(☞ P. 41)
⑮ A.DUB Button	—	Audio dubbing (☞ pg. 45)
⑯ STOP Button	—	Stop (☞ pg. 38)
⑰ INSERT Button	—	Insert Editing (☞ pg. 44)
⑱ R.A.EDIT Buttons	—	(☞ P. 42)

**NOTE:**

You should already have performed the procedures listed below. If not, do so before continuing.

- Power (☞ pg. 8)
- Tape Length (☞ pg. 12)
- Recording Mode Setting (☞ pg. 13)
- Grip Adjustment (☞ pg. 14)

LOAD A CASSETTE

- 1 Slide EJECT to open the cassette holder, then insert the cassette with the label facing out. Press PUSH to ensure the holder is closed and locked.

ENTER RECORD-STANDBY MODE

- 2 Slide the LENS COVER open/close switch to open the lens cover, then set the power switch to "CAMERA".

- The power indicator lights and the camcorder enters the Record-Standby Mode.
- The scene you're aimed at appears on the viewfinder screen, with the word "PAUSE" superimposed upon it.

START SHOOTING

- 3 Press the **RECORDING START/STOP** button.

- The tally lamp lights while recording is in progress, and "REC" appears in the viewfinder.
- If you want to turn the tally lamp off, see page 31.

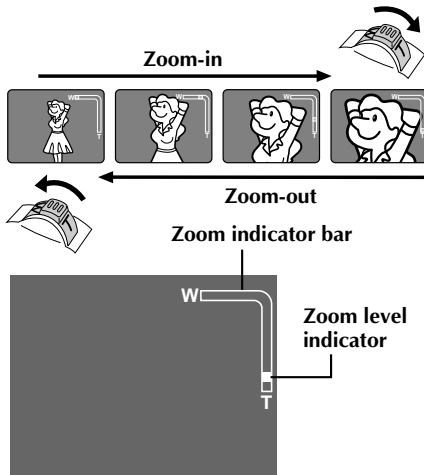
STOP RECORDING

- 4 Press the **RECORDING START/STOP** button again to stop recording.

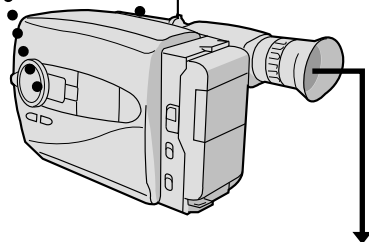
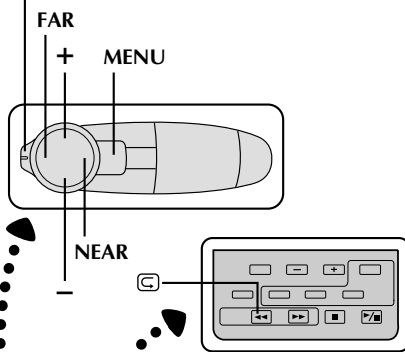
- The camcorder re-enters the Record-Standby mode.

NOTES:

- A cassette holder can't be opened unless a power supply is attached.
- There may be a delay after you slide EJECT until the holder opens. Do not use force.
- The tape's remaining time is displayed in the viewfinder as shown.
- The indicated remaining time is approximate.
- The time required to calculate the remaining tape length, and the accuracy of the calculation, may vary according to the type of tape used.
- The tape remaining time displayed in the viewfinder is correct only if the correct tape length has been selected (☞ pg. 12).
- "TAPE END" appears when the tape reaches its end, and the power goes off automatically if left in this condition for 5 minutes. "TAPE END" also appears when a cassette whose tape is already at its end is loaded.
- If the Record-Standby mode continues for 5 minutes without performing Zoom or any other operations, the camcorder's power shuts off automatically. Set the Power switch to "POWER OFF", and then back to "CAMERA" to turn the camcorder on again.
- If you're recording on a cassette from the middle, use the RETAKE function (☞ pg. 18) to find the end of the last recording so you don't erase any of it.
- The LENS COVER warning blinks for about 8 seconds when the camcorder is turned on, when the cover is closed.



Shooting mode selector



Main Menu screen

Shift Zoom	◆ 50x
Tele Macro	OFF
Gain Up	AGC
Color Filter	NOR.
Tape Length	T30
Title	
Date/Time	
Sub Menu	

FEATURE:
PURPOSE:

OPERATION:

Zooming

To produce the zoom in/out effect, or an instantaneous change in image magnification.

28X Hyper zoom

Digital circuitry doubles the maximum 14x magnification offered by optical zoom.

- 1) To zoom in, slide the Zoom Lever toward "T".
- 2) To zoom out, slide toward "W".

Shift Zoom

By digitally processing and magnifying images, zooming is possible from 5 – 14 times the optical zoom limit, to a maximum of 140x magnification.

- 1) Set the Shooting Mode Selector to "PRESET" and press **MENU** to access the Main Menu screen.
- 2) Press + or – to move the highlight bar to "Shift Zoom."
- 3) Press **FAR** or **NEAR** to set the magnification. "50x" magnifies wide-angle images to approximately 3.6 times the original size, and enables zooming in the 18x – 50x range. "140x" magnifies wide-angle images to approximately 10 times the original size, and allows zooming from 50x to 140x. To disable Shift Zoom, set it to "OFF". "140x" is useful when you want to confirm letters or numbers from a distance.
- 4) Press **MENU** to close the Main Menu screen.

NOTES:

- During Hyper Zoom, the speed increases the further you slide the Zoom Lever.
- Focusing may become unstable during Hyper Zoom. In this case, set the zoom while in Record – Standby, set manual focus or Focus Lock (pg. 24, 25), then zoom in or out in Record mode.
- The Zoom Level Indicator (■) only moves during optical zoom. Once the indicator reaches "T", all magnification from that point is through digital processing.
- During digital image processing, the quality of the image may suffer.

FEATURE:
PURPOSE:

OPERATION:

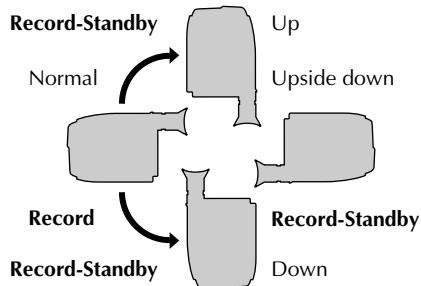
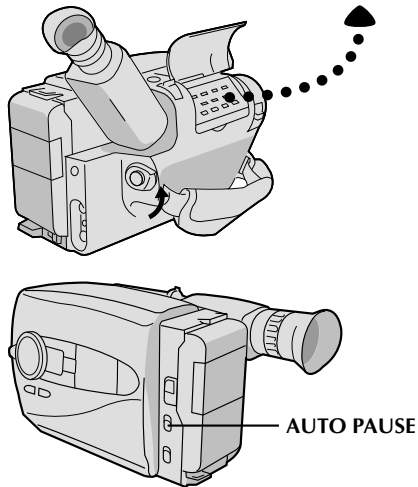
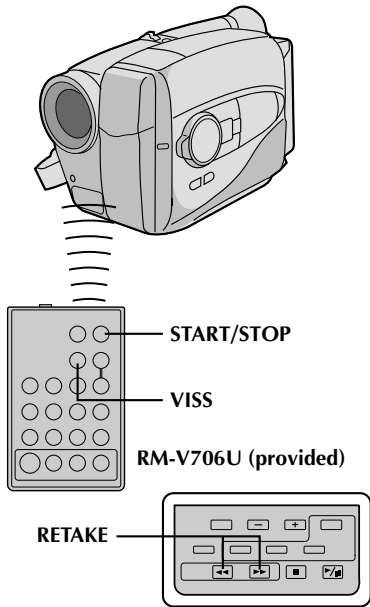
Quick Review

To check the end of the last recording.

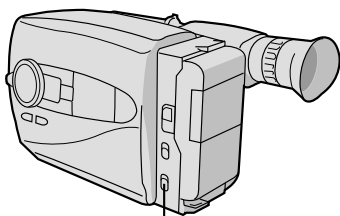
- 1) Press "⏪" and release quickly during the Record–Standby mode.
 - Tape is rewound for about 2 seconds and played back automatically, then pauses in Record–Standby mode for the next shot.

NOTE:

Distortion may occur at start of playback. This is normal.



<p>FEATURE:</p> <p>PURPOSE:</p> <p>OPERATION:</p> <p>NOTE:</p>	<p>Index Code Marking</p> <p>To give you automatic access to any selected point on a recording. Auto Marking and Manual Marking are available.</p> <p><i>Auto Marking</i> An index code is marked to start the first recording after a cassette is inserted, as long as the Power switch is set to "CAMERA".</p> <p><i>Manual Marking</i> 1) Press VISS once to place the index code. INDEX blinks in the viewfinder during marking.</p> <p>● <i>If VISS is pressed during Record-Standby mode, the mark is placed where RECORDING START/STOP is pressed.</i></p>
<p>FEATURE:</p> <p>PURPOSE:</p> <p>OPERATION:</p> <p>NOTE:</p>	<p>Retake</p> <p>To re-record certain segments.</p> <p>1) Make sure the camcorder is in the Record-Standby mode.</p> <p>2) Press either RETAKE button to reach the start point for new recording.</p> <p>3) Press RECORDING START/STOP to start recording.</p> <p>● <i>Noise may appear during Retake. This is normal.</i></p>
<p>FEATURE:</p> <p>PURPOSE:</p> <p>OPERATION:</p> <p>NOTE:</p>	<p>Auto Pause System</p> <p>To automatically stop recording when the camcorder is pointed down, preventing accidental recordings of the ground, your feet, etc.</p> <p>1) Set AUTO PAUSE to "ON". When the camcorder is tilted down by a large degree from its horizontal position during recording, the Record-Standby mode is automatically engaged. "AUTO PAUSE" appears in the viewfinder.</p> <p>● <i>The Auto Pause System is also effective when the camcorder is pointed up, or is positioned upside down.</i></p> <p>● <i>Auto Pause also works when the camcorder is twisted by a large degree to the left or right.</i></p> <p>● <i>When you want to shoot in any of the aforementioned positions, make sure you set AUTO PAUSE to "OFF".</i></p>



LIGHT ON/AUTO/OFF

Video Light

When natural lighting is too dim, you can brighten the scene by using the built-in video light.

SET VIDEO LIGHT

1

Set the **LIGHT ON/AUTO/OFF** as required.

- ON** : Always keeps the light on as long as the camcorder is turned on.
- AUTO** : Automatically turns on the light when the camcorder senses insufficient lighting on the subject.
- OFF** : Turns off the light.

- The video light can be used with the camcorder's power on.
- It is recommended to set the white balance (☞ pg. 23) to indoor mode (☞) when you use the video light.
- When not using the video light, turn it off to save battery power.

NOTES:

- Even if the battery indicator (☐) does not blink in the viewfinder, if the battery pack's charge is low, the camcorder may turn off automatically when you turn on the video light, or when you start recording with the video light turned on.
- When the **LIGHT ON/AUTO/OFF** switch is set to "AUTO":
 - Depending on the lighting conditions, the video light may keep turning on and off. In this case, manually switch the light on or off using the **LIGHT ON/AUTO/OFF** switch.
 - While the Sports or High-Speed Shutter mode (☞ pg. 27) is engaged, the light is likely to stay on.
 - While the Twilight mode (☞ pg. 27) is engaged, the light will not activate.

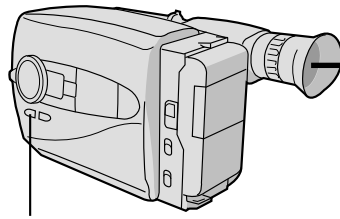
DANGER

- The video light become extremely hot. Do not touch it either while in operation or soon after turning it off, otherwise serious injury may result.
- Do not place the camcorder into the carrying case immediately after using the video light, since it remains extremely hot.
- When operating, keep a distance of about 30 cm. (1 ft.) between the video light and people or objects.
- Do not use near flammable or explosive materials.
- It is recommended that you consult your nearest JVC dealer for replacing the video light.



20_{EN}

RECORDING Advanced Features



DISPLAY

Date/Time Insert

This feature allows you to display the date and time in your viewfinder and on a connected TV.

NOTE:

You should already have performed the Date/Time Setting procedure (☞ pg. 11). If you haven't, do so before continuing.

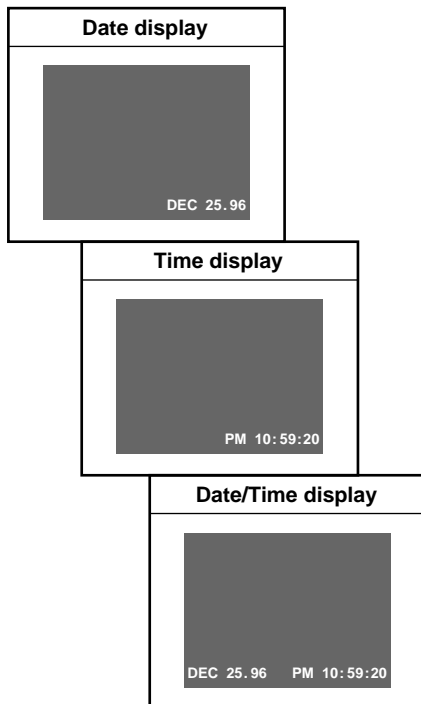
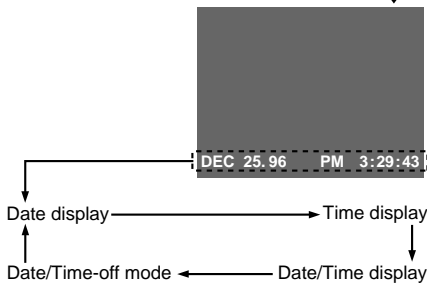
DISPLAY

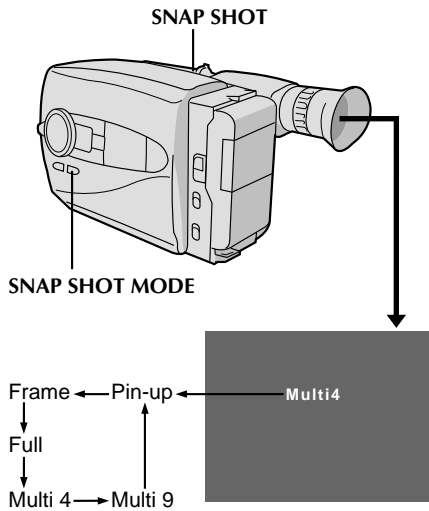
1 CHOOSE DISPLAY MODE

Press **DISPLAY** during Record-Standby to cycle through the available modes as shown in the illustration at left.

NOTES:

- The selected display can be recorded.
- If you don't want to record the display, select Date-off mode before shooting.
- If you want to delete the display during shooting, press **DISPLAY**.
- If you want to call back a deleted display, engage the Record-Standby mode and then press **DISPLAY** to select the desired display mode.





Pin-Up
A still image on a blue background. The image is bordered in white and a shadow effect is added to give it a more dimensional feel.

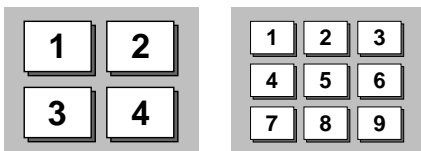


Frame
A still image with a white border is recorded.



Full
A still image that occupies the entire image field is recorded.

Multi-Analyzer 4/Multi-Analyzer 9



Record multiple images in one scene (4 or 9 at a time). The images appear and are stored in this order: 1, 2, 3, 4 (5, 6, 7, 8, 9 for Multi-Analyzer 9). In the Motor Drive mode, after "9", the next image recorded is "1", and the cycle is repeated.

Snapshot

This interesting feature lets you record several types of digital still images that look, and sound, like photographs. It's a great way to spice up footage of events such as parties, weddings and graduations.

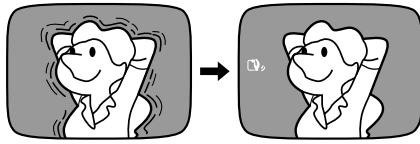
- 1 SELECT SNAPSHOT MODE**
Press **SNAP SHOT MODE** to cycle through the modes as shown in the illustration at left. Once the desired mode appears, it is selected and activated, and its indicator appears, within 2 seconds.
- 2 PERFORM SNAPSHOT RECORDING**
Press **SNAP SHOT**.
If you press during recording . . .
.... a still image is displayed and recorded in the selected mode, then the camcorder resumes normal recording. In the Full and Frame modes, the new image comes in gradually overall. In the Pin-Up and Multi-Analyzer modes, the new image comes in gradually from the center.
If you press during RECORD-STANDBY . . .
.... a still image is displayed and recorded in the selected mode, then the camcorder re-enters the Record-Standby mode.

Motor Drive Function

- 1 SELECT SNAPSHOT MODE**
Select as in step 1 above.
- 2 ACTIVATE MOTOR DRIVE**
During Snapshot recording, press and hold down **SNAP SHOT**. You can take rapid snapshots with an interval of approximately 0.7 seconds between stills.

NOTES:

- The Date/Time display will disappear during Snapshot recording.
- The Motor Drive function cannot be activated using the **SNAP SHOT** button on the RM-V706U remote control unit (provided).
- When Multi-Analyzer is activated, the shutter sound may not match the appearance of the images.



Digital Image Stabilizer

This feature compensates for unstable images caused by camera-shake, particularly noticeable at high magnification.

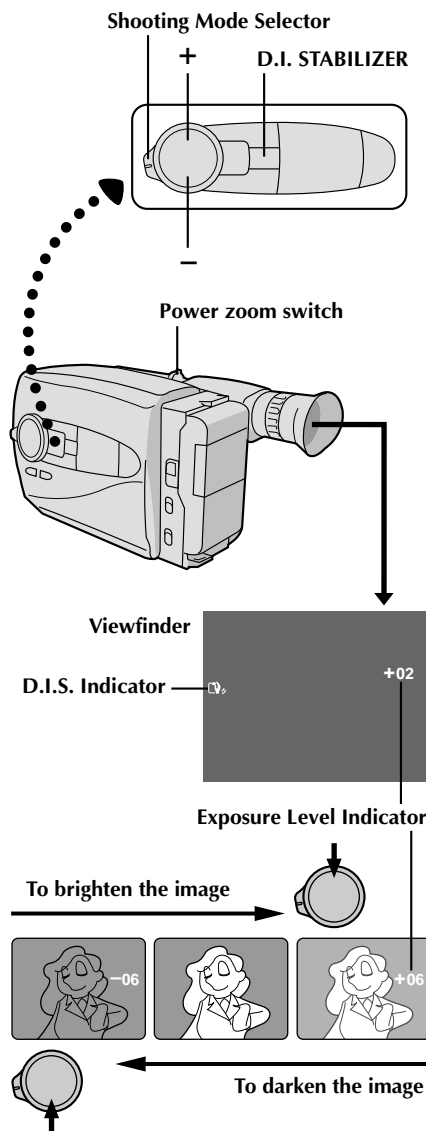
1 ACTIVATE D. I. STABILIZER

Press **D.I.STABILIZER**. "D.I.S." appears in the viewfinder.

- To switch off the Digital Image Stabilizer, press **D.I.STABILIZER**. The indicator disappears.

NOTES:

- Accurate stabilization may not be possible if hand shake is excessive, or under the following conditions:
 - When shooting subjects with vertical or horizontal stripes
 - When shooting dark or dim subjects
 - When shooting subjects with excessive backlighting
 - When shooting scenes with movement in various directions
 - When shooting scenes with low-contrast backgrounds
- When the Slow Shutter function is activated (pg. 27), the Digital Image Stabilizer (DIS) cannot be used. If you try to activate this function while DIS is engaged, "D.I.S." blinks, telling you that DIS has been deactivated.
- Switch off DIS when recording with the camcorder on a tripod.



Exposure Control

This feature automatically adjusts the iris for the best available picture quality, but you can override and make the adjustment manually.

1 SELECT SHOOTING MODE

Set the Shooting Mode selector to "PRESET".

2 BRIGHTEN IMAGE

Press + (maximum +06). The Exposure level indicator appears in the viewfinder.

OR . . .

DARKEN IMAGE

Press - (maximum -06). The Exposure level indicator appears in the viewfinder.

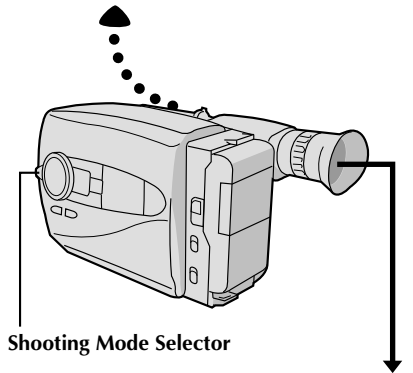
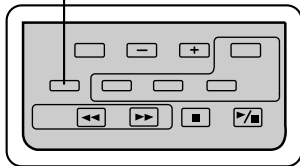
When you want to return to the factory setting . . .

3 RESTORE INITIAL SETTING

Press + and - simultaneously. The standard setting is immediately restored and the Exposure level indicator disappears.



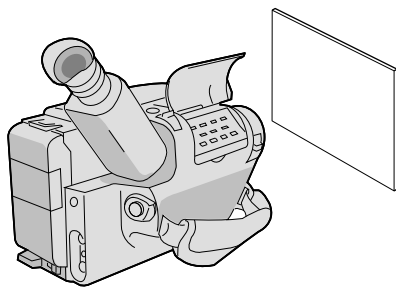
MWB



Shooting Mode Selector

No indication
(Auto)

White balance mode indicator



White Balance Adjustment

This camcorder's Automatic Color Temperature system senses the color temperature of the ambient lighting for automatic white balance adjustment. However, precise color adjustment is not possible under the following conditions:

- When an object is in various shades of the same color.
- When a predominantly red or brown object is being shot outdoors.

In these cases, use the camcorder's built-in preset filters for white balance adjustment.

SELECT SHOOTING MODE

- 1 Set the Shooting Mode selector to "PRESET".

SELECT FUNCTION

- 2 Press **MWB** (Manual White Balance) until the required indication appears in the viewfinder.

"MWB" With a memorized personal White Balance setting (see below)

"☀" Outdoors on sunny day

"☁" Outdoors on cloudy day

"💡" Light source is halogen or tungsten lamp

MWB sets the color temperature for the subject's light source so you can shoot with natural colors that are unaffected by surroundings, even when there are multiple subjects with different color temperatures.

SELECT SHOOTING MODE

- 1 Set the Shooting Mode selector to "PRESET".

ADJUST FOCUS

- 2 Point the camcorder at a white, flat object such as a sheet of white paper, and adjust focus manually (☞ pg. 25).

ADJUST WHITE BALANCE

- 3 Press **MWB** until "MWB" appears, then press and hold **MWB** for more than 3 seconds.

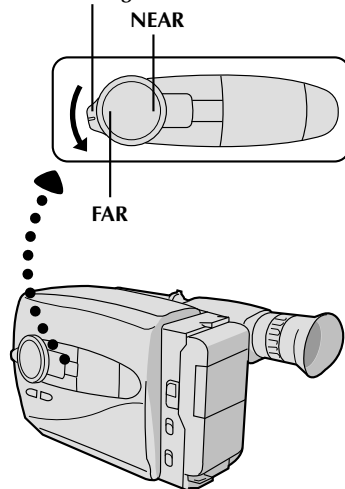
- "MWB" blinks in the viewfinder during adjustment, then stops blinking but stays lit when adjustment is complete.

NOTES:

- To switch to automatic white balance adjustment, press **MWB** until the indication disappears, or turn the Shooting Mode selector to "FULL AUTO".
- Re-adjust the White Balance mode when the lighting has changed, when the camcorder has been turned on and off again, or when the Shooting Mode selector's position has been changed.
- It is helpful to connect your camcorder to a color monitor when adjusting the white balance ("Basic Connections" ☞ pg. 37).
- When adjusted by putting colored paper in front of the subject in step 2 ("ADJUST FOCUS"), this unit makes its color temperature standard for automatic white balance. So you can enjoy shooting with different colors. For example, when adjusting with red, blue or yellow colors, the image becomes the color which approximates to green, orange or purple respectively.

Focus
detection zone

Shooting Mode Selector



Focusing

Auto Focus

The camcorder's Full Range AF system offers continuous shooting ability from close-up to infinity. However, correct focus may not be obtainable in the situations listed below (in these cases use manual focusing):

- When two subjects overlap in the same scene.
- When illumination is low.*
- When the subject has no contrast (difference in brightness and darkness), such as a flat, one-color wall, or a clear, blue sky.*
- When a dark object is barely visible in the viewfinder.*
- When the scene contains minute patterns or identical patterns that are regularly repeated.
- When the scene is affected by sunbeams or light reflecting off the surface of a body of water.
- When shooting a scene with a high-contrast background.

* The low-contrast warning "▲▲" appears in the viewfinder.

Focus Lock

This feature locks the focus in place, which is especially helpful in the following situations:

- When things pass between your subject and the camcorder. Engage the focus lock function to lock your subject in before recording.
- When you want your subject to be focused, and to appear in a corner of the screen. First, center on the subject and focus using auto focus mode. Then engage the focus lock function and move the camcorder until the subject is where you want it.

1 SELECT SHOOTING MODE

Set the Shooting Mode selector to "PRESET".

2 LOCK FOCUS

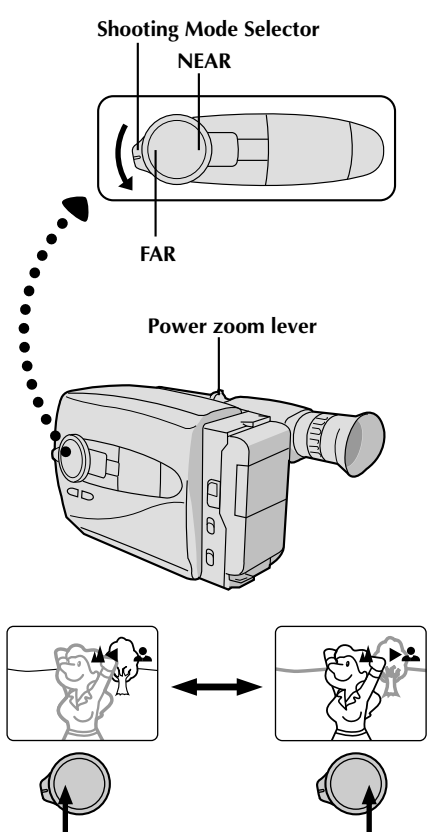
Press **FAR** or **NEAR**. The focus lock indication "▲▲" appears in the viewfinder.

3 RELEASE FOCUS LOCK

Press **FAR** and **NEAR** simultaneously. The focus lock indication disappears.

NOTES:

- If the lens is smeared or blurred, accurate focusing is not possible. Keep the lens clean, wiping with a piece of soft cloth if it gets dirty. When condensation occurs, wipe with a soft cloth or wait for it to dry naturally.
- When shooting a subject close to the lens, zoom-out first (☞ pg. 17). If zoomed-in in the auto focus mode, the camcorder could automatically zoom out depending on the distance between the camcorder and the subject. *When Tele Macro is activated, the camcorder will not zoom out automatically.



Manual Focus

NOTE:

You should already have made the necessary viewfinder adjustments (pg. 10). If you haven't, do so before continuing.

1 SELECT SHOOTING MODE

Set the Shooting Mode selector to "PRESET".

2 ADJUST FOCUS

▲ TO FARTHER SUBJECT

Press and hold FAR. The Manual Focus indications "▲▲" appear and "▲" blinks. Go to step 3.

▲ TO NEARER SUBJECT

Press and hold NEAR. The Manual Focus indications "▲▲" appear and "▲" blinks. Go to step 3.

3 LOCK FOCUS

Release FAR or NEAR. The focus indication is replaced by the focus lock indication "▲▲" and the adjusted focus is locked in.

4 RELEASE MANUAL FOCUS MODE

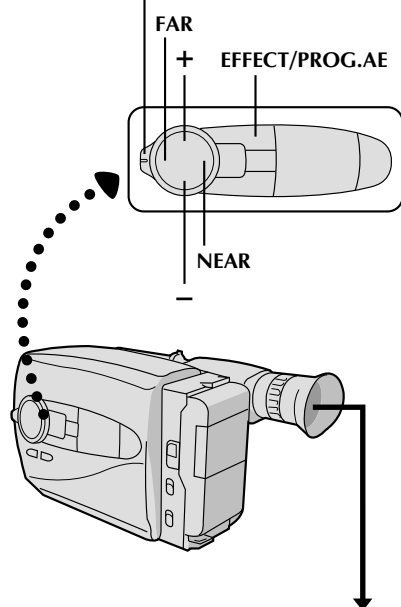
Press FAR and NEAR simultaneously. The Manual Focus mode is immediately released and the focus lock indication disappears.

NOTES:

- Be sure to focus the lens in the maximum telephoto position when you use the Manual Focus mode. If you focus in on a certain subject in the wide-angle position, sharply focused images cannot be obtained when zoomed up because the depth-of-field is reduced at longer focal lengths.
- When the focus level cannot be adjusted any farther or closer, "▲" or "▲" will blink.



Shooting Mode Selector



OFF	
1	<input type="checkbox"/> Cinema
2	<input checked="" type="checkbox"/> Sepia
3	<input type="checkbox"/> Twilight
4	<input type="checkbox"/> Sports
5	<input type="checkbox"/> Hi.S 1/2000
6	<input type="checkbox"/> Classic Film
7	<input type="checkbox"/> Strobe
8	<input type="checkbox"/> Slow Shutter

Effect menu



EFFECT/PROG. indicator

Program AE With Special Effects

Useful in making the picture look creative and attractive. Effects can be selected during recording, as well as in Record-Standby.

1 SELECT SHOOTING MODE

Set the Shooting Mode selector to either "FULL AUTO" or "PRESET".

If you set to "FULL AUTO",...

.... only the Cinema mode can be activated.

If you set to "PRESET",...

.... you can choose any one of the 8 effects available.

2 SELECT EFFECT

If you set to "FULL AUTO",...

.... pressing EFFECT/PROG.AE turns the Cinema mode on and off.

If you set to "PRESET",...

.... pressing EFFECT/PROG.AE brings up the Effect menu. Press again to move the highlight bar to the desired effect. Once you decide on an effect, it is selected and activated, and its indicator appears, within 2 seconds.

• If you started this procedure in the Record-Standby mode, press RECORDING START/STOP to begin recording at this point.

3 DEACTIVATE EFFECT

When the Shooting Mode Selector is set to "FULL AUTO",...

.... press EFFECT/PROG.AE.

When set to "PRESET",...

.... press EFFECT/PROG.AE to bring up the Effect Menu, and press again to move the highlight bar to "OFF".

NOTE:

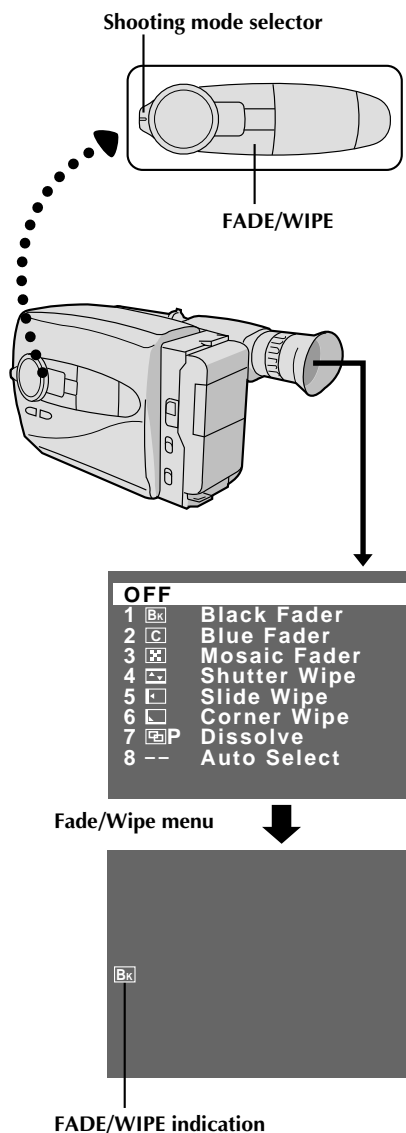
If "Shift Zoom" (pg. 17) is set to "50x" or "140x", Program AE effects cannot be used.



INDICATION	MODE	EFFECT
	CINEMA	Adds black bars to the top and bottom of the screen to produce a cinema-like "16:9 wide-screen" effect.
	SEPIA	The picture becomes sepia-tinted (reddish brown) monochrome, creating the look of an old photograph.
	TWILIGHT	Makes dusk and twilight scenes, etc. look more natural and dramatic. White balance is set to "☀️". Press MWB if you want to change the setting.
	SPORTS	Automatically adjusts to high shutter speed (1/250 to 1/500) to clearly capture fast-moving action with less blur. Clarity is especially noticeable during slow motion or still playback on a VCR. Great for sports, races, etc.
	HI-SPEED SHUTTER (1/2000)	Captures even faster action than Sports effect.
	CLASSIC FILM	A strobe effect that gives the black and white picture a "flickery" effect like an old movie, and adds black bars at the top and bottom of the picture for a wide-screen look.
	STROBE	Freezes images in rapid succession.
	SLOW SHUTTER	Sets the shutter speed to 1/15 sec. and boosts the sensitivity so that the camcorder can record subjects even in virtual darkness. <ul style="list-style-type: none"> • Use it only in dark locations. • The picture flickers like a quick strobe.

NOTES:

- When the Sepia or Classic Film effects are activated, pressing MWB (white balance) has no effect.
- When Slow Shutter is activated, Auto Focus may not work properly.
- When Slow Shutter is activated, bright spots may appear on the screen. This is not a camcorder malfunction.
- Certain effects cannot be used together with other functions. When an effect not usable in the present situation is selected, its indicator blinks.



Fade/Wipe

These effects let you make pro-style scene transitions.

1 SELECT SHOOTING MODE

Set the Shooting Mode selector to either "FULL AUTO" or "PRESET".

If you set to "FULL AUTO", . . .

.... only the Black Fader mode is available.

If you set to "PRESET", . . .

.... you can choose any one of the effects available.

2 RESERVE EFFECT

If you set to "FULL AUTO", . . .

.... pressing **FADE/WIPE** turns the Black Fader mode on and off.

If you set to "PRESET", . . .

.... pressing **FADE/WIPE** brings up the Fade/Wipe menu. Press again to move the highlight bar to the desired effect. Once you decide on an effect, it is selected and reserved, and its indicator appears, within 2 seconds.

3 START RECORDING

Press **RECORDING START/STOP** to start recording and activate a fade- or wipe-in.

OR . . .

END RECORDING

Press **RECORDING START/STOP** to stop recording and engage a fade- or wipe-out.

4 DEACTIVATE EFFECT

When the Shooting Mode Selector is set to "FULL AUTO", . . .

.... press **FADE/WIPE**.

When set to "PRESET", . . .

.... press **FADE/WIPE** to bring up the Fade/Wipe menu, then press again to move the highlight bar to "OFF".

NOTES:

- If "Shift Zoom" (pg. 17) is set to "50x" or "140x", fades and wipes cannot be used.
- When the Shooting Mode selector is set to "FULL AUTO", after a fade-in, Black Fader is no longer reserved. To reserve it for a fade-out, press **FADE/WIPE**. "[Bk]" appears in the viewfinder.



BLACK FADER

Fades in/out to a black screen.



BLUE FADER

Fades in/out to a blue screen.



MOSAIC FADER

Gradually turns/returns the picture into/from a mosaic pattern.



SHUTTER WIPE

A black screen moves in from the top and bottom, closing over the image like a shutter, or a new image pushes open the black screen vertically from the center. *During Auto Select mode, the new image wipes in over the old image, not a black screen.



SLIDE WIPE

A black screen moves in from the left to gradually cover the image, or a new image moves in from right to left. *During Auto Select mode, the new image wipes in over the old image, not a black screen.



CORNER WIPE

A black screen starts in the lower left corner and gradually fills the screen, or a new image starts in the upper right corner and fills the black screen. *During Auto Select mode, the new image wipes in over the old image, not a black screen.



DISSOLVE

- 1 Press the **RECORDING START/STOP** button. — Recording starts.
- 2 Press the **RECORDING START/STOP** button again. — Recording stops, and the Record-Standby mode is engaged. — Now the last scene is stored in memory.

↓ Before the power turns off...

- 3 Press the **RECORDING START/STOP** button to resume recording. — The stored scene is gradually replaced by the new scene being shot.

SCROLL WIPE (AUTO SELECT only)

A new image scrolls up onto the screen.

WINDOW WIPE (AUTO SELECT only)

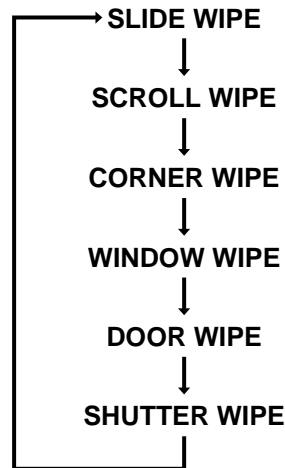
A new image enters from the center and moves towards the corners of the screen.

DOOR WIPE (AUTO SELECT only)

A new image opens like a door onto the screen.

AUTO SELECT

Press **RECORDING START/STOP** to begin or end recording, and 6 wipe-ins are automatically generated, in the order shown below:



- 1 Press the **RECORDING START/STOP** button. — Recording starts.
- 2 Press the **RECORDING START/STOP** button again. — Recording stops and the Record-Standby mode is engaged. — Now the last scene is stored in memory.

↓ Before the power turns off...

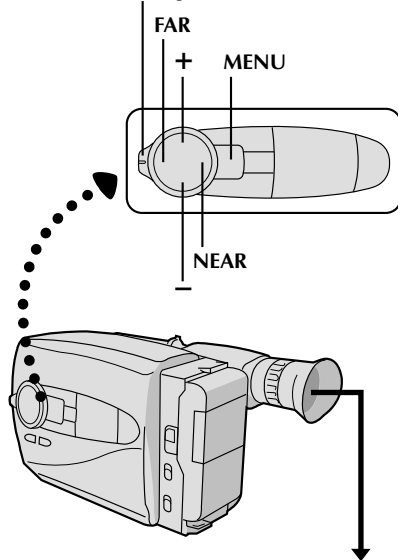
- 3 Press the **RECORDING START/STOP** button to resume recording. — The new scene gradually wipes in over the stored scene. — Repeat steps 2 and 3 as you like.

NOTES (for Dissolve and Auto Select):

- Turning off the camcorder will erase the scene stored in memory. When a scene is erased from memory, the symbol indication blinks.
- The sound for the last recording's scene is not stored in memory.
- This mode indicator blinks unless an image is stored in memory. In this case, shoot a scene first.



Shooting mode selector

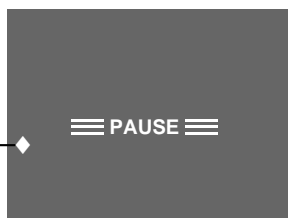


Shift Zoom	OFF
Tele Macro	OFF
Gain Up	AGC
Color Filter	NOR.
Tape Length	T30
Title	
Date/Time	
Sub Menu	

Main Menu screen

Tally	ON
Interval Timer	OFF
Rec Time	OFF
JLIP ID NO.	07

Sub Menu screen



If any settings in the Main Menu have been changed from the factory settings, this mark appears in the viewfinder.

Using Menu For Detailed Adjustment

This camcorder is equipped with Multi-Function Control, an easy-to-use, on-screen menu system that simplifies many of the more detailed camcorder settings.

1 SELECT SHOOTING MODE

Set the Shooting Mode selector to "PRESET".

2 ACCESS MAIN MENU SCREEN

Press MENU.

3 SELECT FUNCTION

Press + or - to place the highlight bar on the desired function.

4 MAKE SETTING

The setting procedure depends on the function you select.

If you select Shift Zoom, Tele Macro, Gain Up, Color Filter or Tape Length, . . .

.... press FAR or NEAR to cycle through the choices until the desired setting appears. Then go to step 8.

If you select Title or Date/Time, . . .

.... press NEAR to access the selection menu for each function (Title – pg. 32; Date/Time – pg. 11).

If you select "Sub Menu", . . .

.... press NEAR to bring up the Sub Menu screen. Go to step 5.

5 SELECT FUNCTION AT SUB MENU

Press + or - to place the highlight bar on the desired option, then press NEAR. The selected item begins blinking.

6 CHANGE SETTINGS

Press + or - to change the displayed setting of the selected function, then press FAR to enter your choice. The selected item stops blinking.

7 CLOSE SUB MENU

Press FAR, and setting is complete. The Sub menu screen disappears and the Main Menu screen reappears.

- To go directly past the Main Menu screen to the normal screen, press MENU.

8 CLOSE MAIN MENU

Press MENU. The normal screen reappears.

**MAIN MENU**

Shift Zoom	OFF	Disables the Shift Zoom function.
	◆ 50x	Magnifies wide-angle images to approximately 3.6 times the original size, and enables zooming in the 18x – 50x range.
	◆ 140x	Magnifies wide-angle images to approximately 10 times the original size, and allows zooming from 50x to 140x.
Tele Macro	OFF	Usually set to this position.
	◆ ON	Usually the distance to a subject where the lens is in focus depends on the zoom magnification. Unless there is a distance more than 1 m (3.3 ft.) to the subject, the lens is out of focus at the maximum telephoto setting. When set to “ON”, you can shoot a subject as large as possible at a distance of approx. 60 cm (2 ft.). • Depending on the zoom position, the lens may go out of focus.
Gain UP	AGC	Allows you to record a subject in a dark environment. It delivers a brighter, if slightly coarse, picture.
	◆	(Auto Slow Shutter) Combines AGC with electronic shutter speed (1/30 to 1/60) for shooting under much darker conditions. When shooting in poorly lit areas, or when shooting a dark subject in dim lighting, the unit will automatically enter the Auto Slow Shutter mode, reducing the shutter speed to 1/30 sec. Although the resulting picture will be similar to that obtained when using Strobe (pg. 27), the image will be clear with less noise.
	◆ OFF	Allows you to shoot dark scenes with no picture brightness adjustment.
Color Filter	NOR	For normal shooting with no color adjustment.
	◆ RED	Gives recording a reddish tint.
	◆ BLUE	Gives recording a bluish tint.
Tape Length	Allows you to set the tape length depending on the tape used (pg. 12).	
Title	Allows you to superimpose a preset title onto a scene (pg. 32).	
Date/Time	Allows you to set the current date and time (pg. 11).	

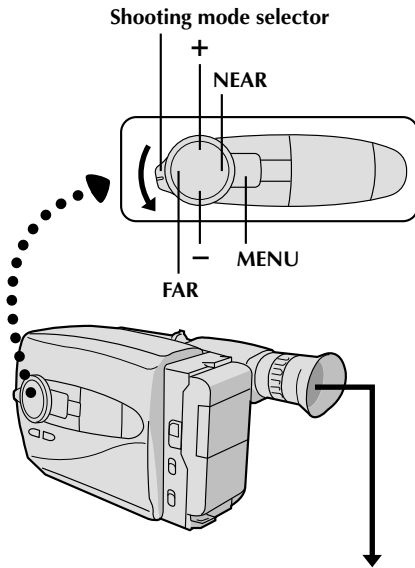
= Factory setting

SUB MENU

Tally	ON	The tally lamp comes on to signal the start of recording.
	OFF	The tally lamp remains off at all times.
Interval Timer and Rec. Time	These features allow you to set the parameters for Self-Timer (pg. 34), Animation and Time-Lapse recording (pg. 35).	
JLIP ID NO.	This number will be necessary in the future when connecting the camcorder to a device such as a computer using the JLIP terminal. The numbers range from 01 to 99.	

NOTES:

- When the video light's **LIGHT ON/AUTO/OFF** switch is set to “ON” or “AUTO”, Auto Slow Shutter is disabled.
- When Auto Slow Shutter is activated, Auto Focus may not work properly.



Shift Zoom	OFF
Tele Macro	OFF
Gain Up	AGC
Color Filter	NOR.
Tape Length	T30
Title	
Date/Time	
Sub Menu	

OFF
Happy Birthday
Our Vacation
Merry Christmas
A Special Day
Happy Holidays
Our New Baby
Wedding Day
Congratulations
(Set Character)

Congratulations

Instant Titles

You can superimpose one of 8 preset titles, or a title you made yourself, onto a scene.

- 1 SELECT SHOOTING MODE**
Set the Shooting Mode selector to "PRESET".

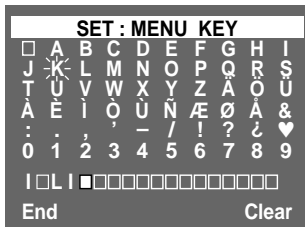
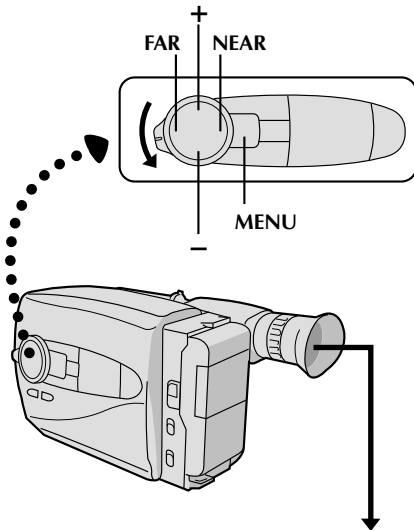
- 2 ACCESS MAIN MENU SCREEN**
Press MENU.

- 3 ACCESS INSTANT TITLE MENU SCREEN**
Press + or - to move the highlight bar to "Title", then press NEAR. The Title menu appears.

- 4 SELECT PRESET TITLE**
Press + or - to move the highlight bar to the desired title. (To create an original title, refer to page 33.)

- 5 DISPLAY PRESET TITLE**
Press MENU. The Title menu disappears, and the selected title is displayed on the screen.





Character Generator

You can enter an original title of up to 18 characters. Perform steps 1, 2 and 3 of the "Instant Title" procedure (pg. 32) before continuing.

1 ACCESS CHARACTER SET MENU

Press + or - to move the highlight bar to "(Set Character)", then press **NEAR**. The Character Set menu appears.

2 INPUT CHARACTERS

Press +, -, **FAR** or **NEAR** to move the blinking cursor to the desired character, then press **MENU**. The selected characters appear at the bottom of the screen. Repeat as many times as desired (max. 18).

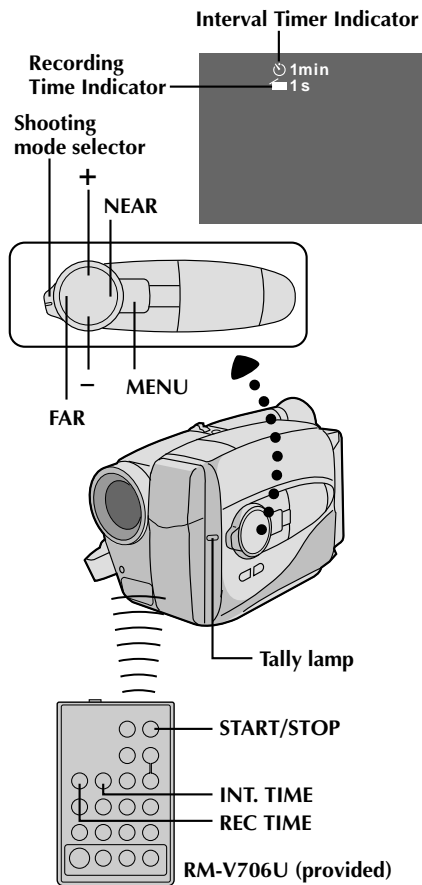
- To select the location of the next character, press +, -, **FAR** or **NEAR** to move the blinking cursor to the row of squares at the bottom of the screen, then press **FAR** or **NEAR** to move the blinking cursor underneath the desired location. Press + when you're done, and the blinking cursor returns to the character grid.

3 END CHARACTER SETTING

Press +, -, **FAR** or **NEAR** to move the cursor to "End", then press **MENU**. The Character Set menu disappears and the Preset Title menu reappears. Press **MENU** to return to the normal screen.

NOTE:

To erase a character you entered mistakenly, place the cursor by "Clear" by pressing +, -, **FAR** or **NEAR**, then press **MENU**. All characters are deleted at once. Or, to erase selected characters only, place the blinking cursor at the character at the bottom you want to replace, then press +/- . "□" in the top left corner is highlighted.



Shift Zoom	OFF
Tele Macro	OFF
Gain Up	AGC
Color Filter	NOR.
Tape Length	T30
Title	
Date/Time	
Sub Menu	

Main Menu Screen

Tally	ON
Interval Timer	OFF
Rec Time	OFF
JLIP ID NO.	07

Sub Menu Screen

Self-Timer

You can set the delay between pressing **RECORDING START/STOP** and the actual start of recording. If you secure the camcorder, you (or whomever is operating the camcorder) can enter the scene before recording starts.

- 1 ENGAGE RECORD-STANDBY MODE**
Make sure the lens cover is open, then set the Power switch to "CAMERA".
- 2 SELECT MODE**
Set the Shooting Mode selector to "PRESET".
- 3 ACCESS MAIN MENU SCREEN**
Press **MENU**.
- 4 ACCESS SUB MENU SCREEN**
Press **-** to move the highlight bar down to "Sub Menu", then press **NEAR**. The Sub Menu screen appears.
- 5 SET INTERVAL TIME**
Press **-** to move the highlight bar down to "Interval Timer", press **NEAR**, then press **+** or **-** to cycle through the choices. Stop when the desired time appears. Choose from "15S", "30S", "1min", "5min", or select to turn the function "OFF". Then press **FAR** twice to return to the Main Menu screen.
- 6 CLOSE MAIN MENU**
Press **MENU**.
- 7 START DELAYED RECORDING**
Press **RECORDING START/STOP**. If you set the tally lamp to "ON" (pg. 31), it begins blinking, and the blinking frequency increases about 5 seconds before recording is to start. Once recording begins, the lamp stops blinking but stays lit.

To Release Self-Timer . . .

.... while the tally lamp is blinking, press **RECORDING START/STOP** to stop the blinking, then set "Interval Timer" to "OFF" or press **INT. TIME** on the remote control until "☺" disappears.

.... while the tally lamp is lit but not blinking, press set "Interval Timer" to "OFF" or press **INT. TIME** on the remote control until "☺" disappears.

NOTE:

Instead of performing steps 2 – 6, you can set the interval time by pressing **INT. TIME** on the remote control.



Animation

Give stationary scenes or objects an illusion of movement. This function allows you to shoot a series of pictures, each slightly different, of the same object for a brief period of time.

ENGAGE RECORD-STANDBY MODE

1 Make sure the lens cover is open, then set the power switch to "CAMERA".

SET RECORDING SPEED

2 Set **SP/EP** to **SP** (☞ pg. 13).

SET RECORDING TIME

3 Press **REC TIME** on the remote control. Four choices are available, and they appear in the following order (each time **REC TIME** is pressed): 1/4S (one-fourth of a second), 1/2S (one-half of a second), 1S (one full second) and 5S (five seconds). Press again to release the Animation mode.

- You can also set the recording time in the Sub Menu screen (☞ pg. 34). Press "-" to move the highlight bar down to "Rec Time", press **NEAR**, and press + or - to cycle through the choices. Then press **MENU**.

START RECORDING

4 Press **RECORDING START/STOP** after focusing on the subject. The recording stops automatically after the selected period of time.

ASSEMBLE SERIES OF PICTURES

5 Repeat steps **3** and **4** for the desired number of pictures.

CHECK YOUR WORK

6 Play back the series of pictures to see if the results were satisfactory.

RELEASE ANIMATION MODE

7 Press **REC TIME** until "■" disappears from the viewfinder, or set "Rec Time" in the Sub Menu pscreen to "OFF".

NOTES:

- For best results, make sure the camcorder is secured when shooting in Animation or Time-Lapse mode.
- Fade-in/out cannot be performed during Animation or Time-Lapse shooting.
- Before performing other operations following Animation or Time-Lapse recording, make sure the Animation or Time-Lapse mode is deactivated.

Time-Lapse

You can record sequentially at preset time spans. Leaving the camcorder aimed at a specific subject, you can record subtle changes over an extended period of time.

ENGAGE RECORD-STANDBY MODE

1 Make sure the lens cover is open, then set the power switch to "CAMERA".

SET RECORDING SPEED

2 Set **SP/EP** to **SP** (☞ pg. 13).

SET RECORDING TIME

3 Press **REC TIME** on the remote control. There are four choices available, and they appear in the following order (each time **REC TIME** is pressed): 1/4S, 1/2S, 1S, and 5S. Press again to reset.

- You can also set the recording time in the Sub Menu screen. Press "-" to move the highlight bar down to "Rec Time", and press **NEAR**, then press + or - to cycle through the choices.

SET INTERVAL BETWEEN RECORDINGS

4 Press **INT. TIME** on the remote control. There are five choices available, and they appear in the following order (each time **INT. TIME** is pressed): OFF, 15S, 30S, 1 min, and 5 min. Press again to reset.

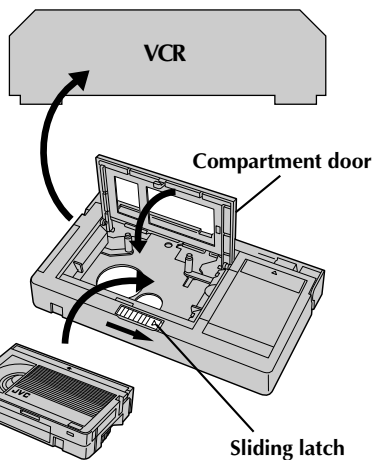
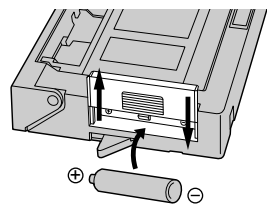
- You can also set the interval time in the Sub Menu screen. Press "-" to move the highlight bar down to "Interval Time", press **NEAR**, and press + or - to cycle through the choices.
- Exposure control (☞ pg. 22), manual focusing (☞ pg. 25) and D.I.S. settings (☞ pg. 22) should be performed at this point. Once you perform step **5**, these settings cannot be changed.

START TIME-LAPSE RECORDING

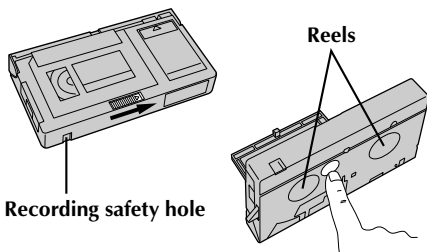
5 Press **RECORDING START/STOP**. Recording and intervals alternate automatically.

RELEASE TIME-LAPSE MODE

6 To release when the tally lamp is not blinking, press **INT. TIME** and **REC TIME** repeatedly until "■" and "☺" disappear. To release when the tally lamp is blinking, press **RECORDING START/STOP** to stop the blinking, then press **INT. TIME** and **REC TIME** repeatedly until "■" and "☺" disappear, or set "Interval Timer" and "Rec Time" in the Sub Menu screen to "OFF".



Compact video cassette



Cassette Adapter (VHS PlayPak)

Use this to play back a VHS-C video cassette recorded with this camcorder. It is fully compatible with any VHS video cassette recorder. The C-P7U adapter is battery powered and automatically performs tape loading and unloading.

1 INSERT BATTERY

Slide the battery cover up to remove it, and install one "AA(R6)" size battery as shown in the illustration at left. Then reattach the cover.

2 INSERT CASSETTE IN ADAPTER

Slide the latch to open the adapter compartment door, then insert the cassette and close the compartment door.

3 PLAY BACK ON CONNECTED VCR

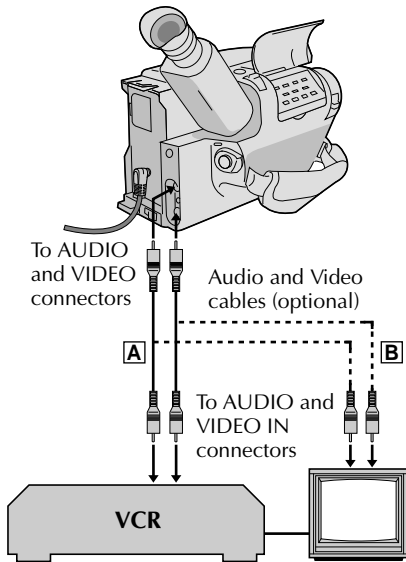
Load the cassette adapter into the VCR and play the tape back as you would any other.

4 REMOVE CASSETTE FROM ADAPTER

Slide the latch and the compartment door opens automatically. Then insert your finger in the hole on the underside of the adapter as shown in the illustration at left, push up and remove the cassette.

NOTES:

- During tape loading and unloading, do not touch the reels for safety and tape protection.
- During special-effect playback (slow motion, still frame, etc.), the picture may vibrate or noise bars may appear on the screen.
- To record on a VCR using a compact cassette and the adapter, cover the adapter's recording safety hole with adhesive tape.



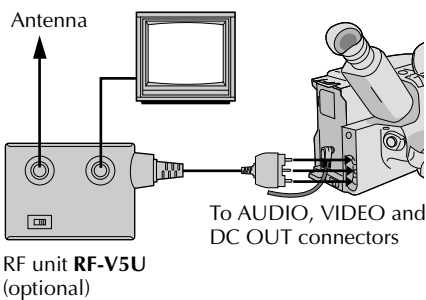
There are three basic types of connections. When making the connections, refer also to your VCR and TV instruction manuals.

**Connection To A VCR [A]
(Editing, Dubbing and Playback)**

NOTE:

Use the optional Audio and Video cables.

- 1 CONNECT CAMCORDER TO VCR**
As shown in the illustration at left, connect the optional Audio and Video cables between the AUDIO and VIDEO connectors on the camcorder and those on the VCR.
- 2 SUPPLY POWER**
Turn on the camcorder, the VCR and the TV.
- 3 SELECT MODE**
Set the VCR to its AUX input mode, and set the TV to its VIDEO mode or channel 3.



**Connection To A TV With A/V Input
Connectors [B] (Playback ONLY)**

NOTE:

Use the optional Audio and Video cables.

- 1 CONNECT CAMCORDER TO TV**
As shown in the illustration at left, connect the optional Audio and Video cables between the AUDIO and VIDEO connectors on the camcorder and those on the TV.
- 2 SELECT MODE**
Set the TV to its VIDEO or AV mode (as specified in its instructions).

NOTES:

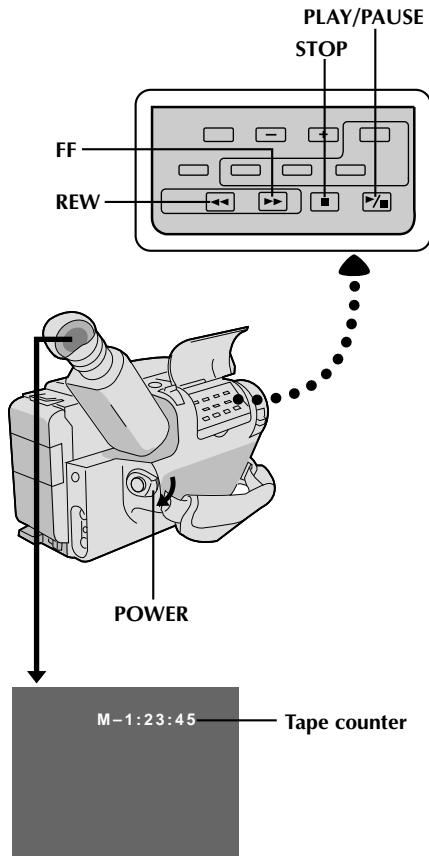
- It is recommended to use the AC Power Adapter/Charger as the power supply instead of the battery pack.
- To monitor the picture and sound from the camcorder without inserting a tape, set the camcorder's Power switch to "CAMERA", then set your TV to the appropriate input mode.
- If you have a TV or speakers that are not specially shielded, do not place the speakers adjacent to the TV as interference will occur in the camcorder playback picture.

**Connection To A TV With NO A/V Input
Connectors (Playback ONLY)**

NOTE:

Use the optional RF-V5U RF unit.

* Refer to the RF-V5U instruction manual for connection procedure.



NOTE:

Make sure you connect your camcorder as directed in "Basic Connections" (pg. 37).

1 LOAD A CASSETTE

Slide EJECT to open the cassette holder, then insert the cassette with the label facing out. Press PUSH to ensure the holder is closed and locked.

2 SELECT MODE

Set the Power switch to "PLAY". The Power On indicator lights.

3 PLAYBACK

Press **PLAY/PAUSE**. The playback picture appears in the viewfinder and the connected TV.

4 STOP PLAYBACK

Press **STOP**.

Rewind or Fast-forward the tape

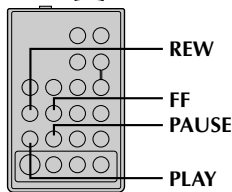
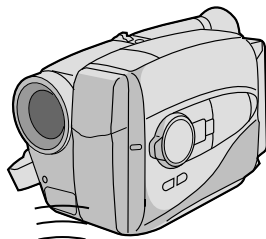
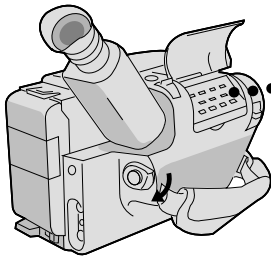
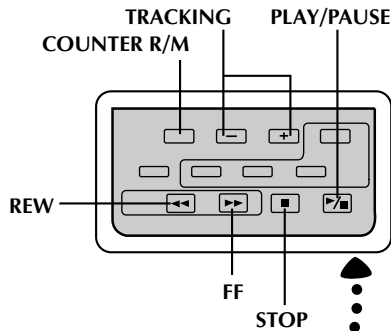
Press **REW** to rewind, or **FF** to fast-forward the tape during Stop mode.

NOTE:

The camcorder shuts off automatically after about 5 minutes in STOP mode. To turn on again, set the Power switch to "POWER OFF", then to "PLAY".

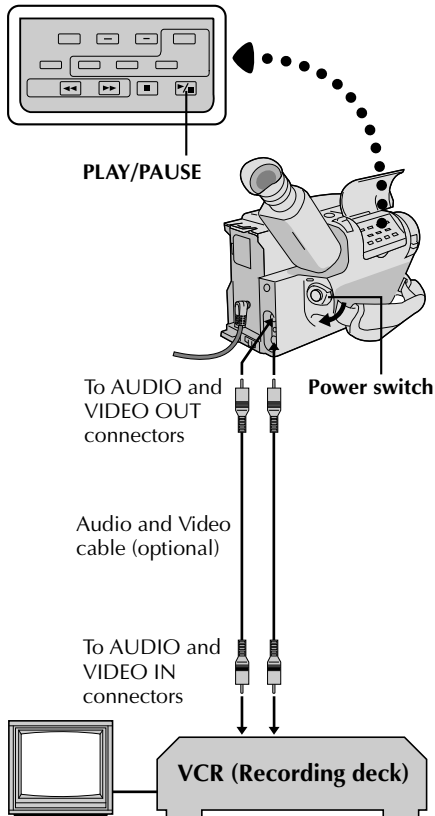


PLAYBACK Features



RM-V706U (provided)

<p>FEATURE:</p> <p>PURPOSE:</p> <p>OPERATION:</p> <p>NOTES:</p>	<p>Manual Tracking</p> <p>To eliminate noise bars that appear on the screen.</p> <p>1) Press either TRACKING button as many times as necessary for best picture.</p> <p>• To reset TRACKING to the original preset, press both TRACKING buttons simultaneously.</p> <p>• Manual Tracking may not work with tapes recorded on other VCRs or camcorders.</p>
<p>FEATURE:</p> <p>PURPOSE:</p> <p>OPERATION:</p> <p>NOTE:</p>	<p>Still Playback</p> <p>To pause during playback.</p> <p>1) Press PLAY/PAUSE during playback.</p> <p>2) To resume normal playback, press PLAY/PAUSE again.</p> <p><i>Noise bars appear and pictures may become monochrome during Still Playback. This is normal.</i></p>
<p>FEATURE:</p> <p>PURPOSE:</p> <p>OPERATION:</p> <p>NOTE:</p>	<p>Shuttle Search</p> <p>To allow high-speed search in either direction.</p> <p><i>Forward Search</i></p> <p>1) Press FF during playback. (Speed is 5 times normal in SP, and 15 times normal in EP mode.)</p> <p><i>Reverse Search</i></p> <p>1) Press REW during playback. (Speed is as noted above.)</p> <p><i>Noise bars appear and pictures may become monochrome or darken in Shuttle Search. This is normal.</i></p>
<p>FEATURE:</p> <p>PURPOSE:</p> <p>OPERATION:</p> <p>NOTES:</p>	<p>Counter Memory Function</p> <p>To make it easier to locate a specific tape segment.</p> <p>1) Press COUNTER R/M and hold for more than 2 seconds. The counter resets to "0:00:00".</p> <p>2) Press COUNTER R/M. "M" appears.</p> <p>3) After recording or playback, press STOP, then REW. The tape automatically stops at or close to 0:00:00.</p> <p>4) Press PLAY/PAUSE to start playback.</p> <p>• The counter memory functions in the FF and REW modes.</p> <p>• To disable Counter Memory Function, press COUNTER R/M so the "M" disappears.</p>



Tape Dubbing

1 CONNECT EQUIPMENT

Following the illustration at left, connect the camcorder and the VCR.

2 PREPARE FOR DUBBING

Set the camcorder's Power switch to "PLAY", turn on the VCR's power, and insert the appropriate cassettes in the camcorder and the VCR.

3 SELECT VCR MODE

Engage the VCR's AUX and Record-Pause modes.

4 FIND EDIT-IN POINT

Engage the camcorder's Play mode to find a spot just before the edit-in point. Once it's reached, press **PAUSE** on the camcorder.

5 START EDITING

Press **PLAY** on the camcorder and engage the VCR's Record mode.

6 STOP EDITING TEMPORARILY

Engage the VCR's Record-Pause mode and press **PAUSE** on the camcorder.

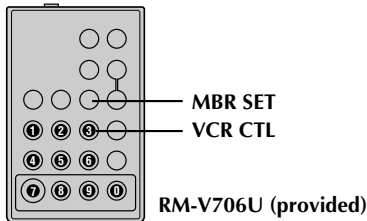
7 EDIT MORE SEGMENTS

Repeat steps 4 through 6 for additional editing, then stop the VCR and camcorder when finished.

Random Assemble Editing [R.A.Edit]

Create edited videos easily using your camcorder as the source player. You can select up to 8 "cuts" for automatic editing, in any order you like. R.A.Edit is more easily performed when the supplied RM-V706U MBR (Multi-Brand Remote) is set to operate with your brand of VCR (see VCR CODE LIST), but can also be performed by operating the VCR manually.

CONTINUED ON NEXT PAGE



VCR CODE LIST

VCR BRAND NAME	BUTTONS (A) (B)	VCR BRAND NAME	BUTTONS (A) (B)
GE	1 1	PHILIPS	1 2
	9 2		3 3
	9 0	PANASONIC	1 3
	9 4		1 7
6 6	1 1		
HITACHI	6 6	9 4	1 3
	6 8	RCA	9 2
JVC A	9 1		9 4
	9 6		6 6
	9 3		6 9
MAGNAVOX	9 5	9 0	SANYO
	1 1	3 6	
	7 1	3 5	
	7 6	SHARP	1 5
MITSUBISHI	6 7		1 0
	6 8	SONY	6 5
NEC	3 7		6 0
	3 8		3 9
PHILIPS	1 9	3 1	TOSHIBA
	9 5	6 9	
	1 1	6 1	
	9 4	ZENITH	1 6
9 1			
9 6			

SET REMOTE/VCR CODE

SET REMOTE TO OPERATE VCR

- 1** Turn off the power to the VCR and point the remote toward the VCR's infrared sensor. Then, referring to the chart at left, press and hold **MBR SET**, and press button (A) and then (B).

- The code is automatically set once you release the **MBR SET** button, and the VCR's power comes on.

OPERATE THE VCR

- 2** Make sure the VCR's power is on. Then, while holding **VCR CTL**, press the button on the remote for the desired function. The functions the remote can control are PLAY, STOP, PAUSE, FF, REW and VCR REC STBY (you don't need to press **VCR CTL** for this one).

You're now ready to try Random Assemble Editing.

IMPORTANT

Although the MBR is compatible with JVC VCRs and those of many other makers, it may not work with yours or may offer limited functions.

NOTES:

- If the VCR's power doesn't come on in step 1, try another code from the chart.
- Some brands of VCR don't come on automatically. In this case, turn the power on manually and try step 2.
- If the RM-V706U is not able to control the VCR, use the controls on the VCR.

MAKE CONNECTIONS

CONNECT TO . . .

- 1** **A** JVC VCR EQUIPPED WITH REMOTE PAUSE TERMINAL

Connect the editing cable to the Remote PAUSE terminal.

- B** JVC VCR NOT EQUIPPED WITH REMOTE PAUSE TERMINAL

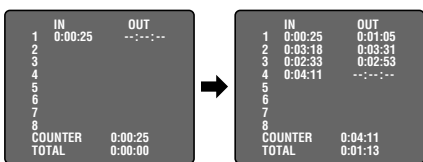
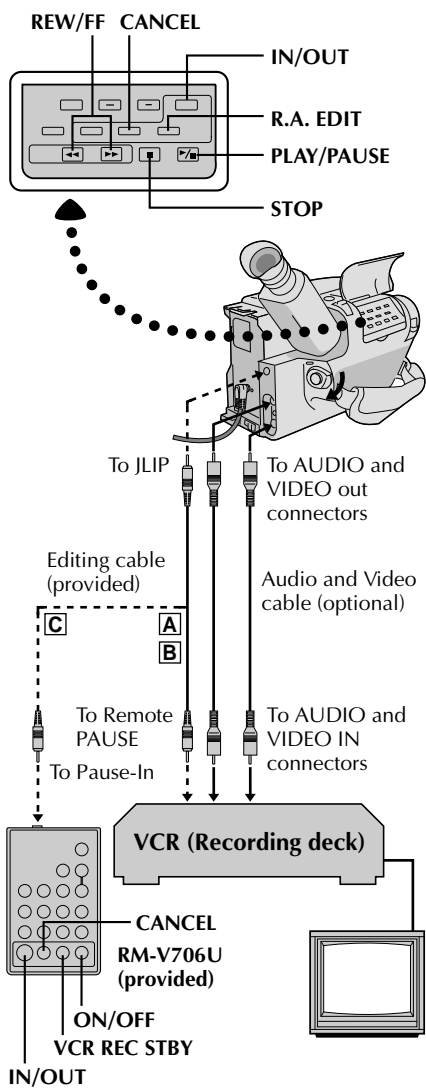
Connect the editing cable to the R.A. EDIT connector.

- C** NON-JVC VCR WITH NEITHER

Connect the editing cable to the RM-V706U's Pause-In jack.

All other connections are as shown in the illustration on page 42.

CONTINUED ON NEXT PAGE

**PREPARE CAMCORDER**

- 2 Insert a recorded tape and set the Power switch to "PLAY".

PREPARE VCR

- 3 Turn the power on, insert a recordable tape and engage the AUX mode (refer to VCR's instructions).

SELECT SCENES**ACCESS R.A. EDIT COUNTER DISPLAY**

- 1 Press **PLAY/PAUSE**, then press **R.A. EDIT** and the counter display appears in the viewfinder and the screen of the connected TV.

REGISTER BEGINNING OF SCENE

- 2 Press **REW** or **FF** to locate the beginning of a scene you want, then press **IN/OUT** to register that point. The data appears under IN on the display.

REGISTER END OF SCENE

- 3 Press **REW** or **FF** to locate the end of the scene and press **IN/OUT** to register it. The data appears under OUT on the display. The total time of the registered scene(s) is displayed at the bottom of the screen.

REGISTER ADDITIONAL SCENES

- 4 Repeat steps 2 and 3 for each additional scene (as many as 8).

MAKE CORRECTIONS

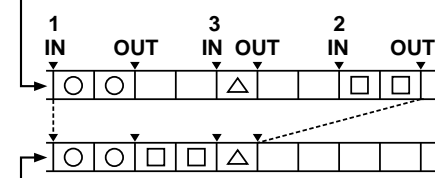
- 5 Press **CANCEL** during steps 2 and 3 to erase the most recently registered point.

NOTES:

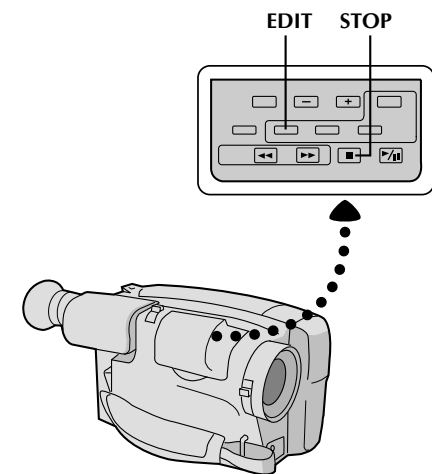
- The RM-V706U can be used to operate other camcorder functions as well. Point the RM-V706U at the camcorder's remote sensor and press any of the following buttons (function appears in parentheses):
 - ON/OFF (camcorder R.A. EDIT)
 - IN/OUT (camcorder IN/OUT)
 - CANCEL (camcorder CANCEL)
- There must be at least one second between an in-point and its corresponding out-point.
- To ensure correct operation, leave at least 15 seconds open between scenes.
- Blank portions of tape cannot be registered as in-points or out-points.
- If it takes more than 5 minutes to search for an in-point, the VCR's Record-Pause mode is cancelled and editing doesn't take place.
- Pressing **R.A.EDIT** clears all in- and out-points from memory.
- Leave a small margin for error around each in-point to ensure the scene is recorded in its entirety.



ORIGINAL TAPE (camcorder)



EDITED TAPE (VCR)



AUTOMATIC EDITING TO VCR

ENGAGE VCR'S RECORD-PAUSE MODE

- 1 Point the remote control toward the VCR's infrared sensor and press **VCR REC STBY**, or manually engage the VCR's Record-Pause mode.

BEGIN AUTOMATIC EDITING

- 2 Press **EDIT** on the camcorder, and the previously selected scenes are copied to the VCR in the specified order.

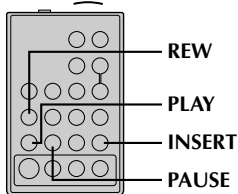
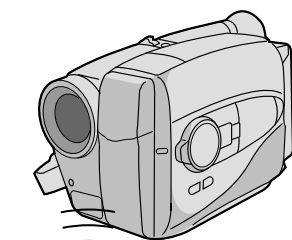
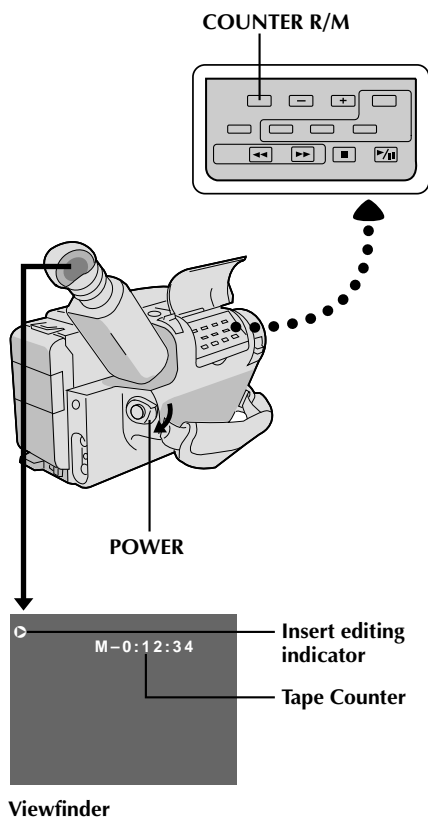
END AUTOMATIC EDITING

- 3 When all selected scenes have been copied, the camcorder and VCR enter the still or pause mode. Press **STOP** on both units.

- When finished editing, be sure to disconnect the editing cable and the audio/video cable.

NOTES:

- If you performed step 1 on page 41 ("MAKE CONNECTIONS"), keep the remote control pointed at the VCR during editing.
- The on-screen display only appears while the camcorder searches for each scene.
- There may be noise at in- or out-points on the edited tape with certain VCRs.



RM-V706U (provided)

Insert Editing

You can record a new scene into a previously recorded tape, replacing a section of the original recording with minimal picture distortion at the in- and out-points. The original audio remains unchanged.

NOTE:

Use the RM-V706U remote control unit to perform this procedure.

1 SELECT MODE

Set the Power switch to "PLAY".

2 FIND EDIT-OUT POINT

Locate the point and press **PAUSE** on the camcorder or the remote control.

3 RESET COUNTER

Press and hold **COUNTER R/M** for more than 2 seconds to reset the tape counter, then press for less than 1 second and make sure "M" appears in the viewfinder.

4 FIND EDIT-IN POINT

Press **REW** to go a little beyond the beginning of the scene you want to replace, press **PLAY** to view the recorded tape, and press **PAUSE** at exactly at the point where the new scene should start.

5 ENGAGE INSERT EDITING MODE

Press and hold **INSERT**, and without releasing **INSERT**, press and release **PAUSE**. The Insert mode is engaged, and the scene the camcorder is aimed at appears on the screen.

6 BEGIN INSERT EDITING

Press **RECORDING START/STOP**. When the counter reaches "0:00:00", editing stops automatically and the camcorder enters the Insert-Pause mode.

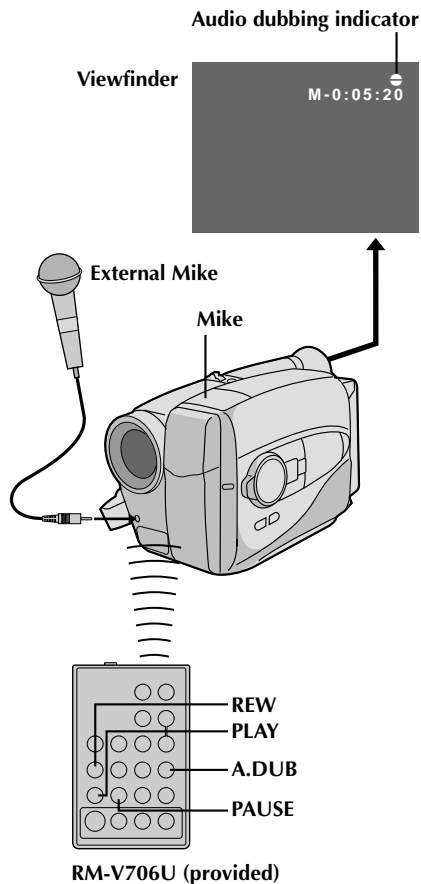
7 END INSERT EDITING

Press **STOP**.

• If a Fade/Wipe effect was in use during Insert Editing, wait about 10 seconds after pressing **STOP** before performing other operations.

NOTES:

- After step 5, Retake (pg. 18) can be performed.
- The tape may stop slightly before or after the designated end point, and noise bars may appear. Neither indicates a defect in the unit.
- Only video signal is recorded in the Insert Editing mode.



Audio Dubbing

You can record a new soundtrack on a prerecorded tape (normal audio only).

** Perform steps 1, 2 and 3 of the Insert Editing procedure (pg. 44) before continuing.

- The sound comes from the built-in mike (or an external mike if connected).

FIND EDIT-IN POINT

- 1 Press **REW** to go a little beyond the beginning of the scene onto which you want to dub new audio, press **PLAY** to view the recorded tape, then press **PAUSE** at exactly the point where dubbing should start.

ENGAGE AUDIO DUB STANDBY MODE

- 2 Press and hold **A. DUB**, and without releasing **A. DUB**, press and release **PAUSE**.

BEGIN AUDIO DUBBING

- 3 Press **PLAY/PAUSE**. When the counter reaches "0:00:00", Audio Dubbing stops automatically and the camcorder enters the Audio Dub-Standby mode.

END AUDIO DUBBING

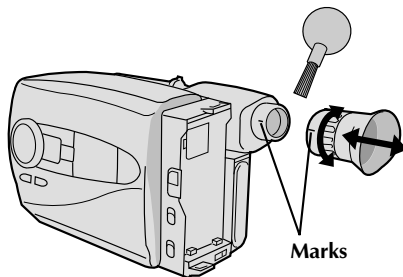
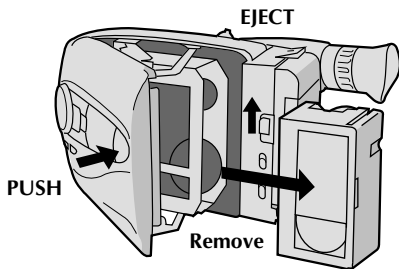
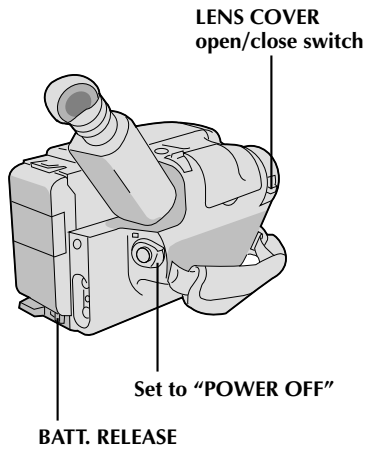
- 4 Press **STOP**.

NOTES:

- Do not press **FF** or **REW** during Audio Dub-Standby, or the edit points will not be accurate.
- If the mike is too close to the TV, or if the TV's volume is too high, whistling or howling may occur.

NOTES (for Insert Editing and Audio Dubbing):

- Insert Editing and audio Dubbing may not work correctly if the tape contains blank segments, or if the recording speed was changed during the original recording.
- To edit/dub onto a tape with the recording safety tab removed, cover the hole with adhesive tape.
- Do not press **STOP** during Insert Editing or Audio Dubbing, or the edit points will not be accurate.
- During Insert Editing and Audio Dubbing, when Insert-Pause or Audio Dub-Standby is engaged, the counter may go slightly past "0:00:00". Recording, however, stops at exactly 0:00:00.



After Use

- 1** Set the Power switch to "POWER OFF" to turn off the camcorder.
- 2** Slide EJECT to open the cassette holder, then remove the cassette.
- 3** Close and lock the cassette holder by pressing PUSH.
- 4** Press BATT. RELEASE to remove the battery pack.
- 5** Slide the LENS COVER open/close switch to close the lens cover.

Cleaning The Camcorder

- CLEAN EXTERIOR**
 - 1** Wipe gently with a soft cloth.
- CLEAN LENS**
 - 2** Blow it with a blower brush, then wipe gently with lens cleaning paper.
- REMOVE EYEPIECE**
 - 3** Turn the eyepiece counterclockwise and pull it out.
- CLEAN VIEWFINDER**
 - 4** Remove dust using a blower brush.
- RE-ATTACH EYEPIECE**
 - 5** Align the marks, re-attach the eyepiece and turn it clockwise.

NOTES:

- Avoid using strong cleaning agents such as benzine or alcohol.
- Cleaning should be done only after the battery pack has been removed or other power units have been disconnected.
- Mold may form if the lens is left dirty.



TROUBLESHOOTING

EN 47

SYMPTOM	POSSIBLE CAUSE(S)
POWER	
No power is supplied.	<ul style="list-style-type: none"> • The battery pack has not been attached correctly (☞ pg. 8). • The battery pack is not charged (☞ pg. 8). • The power supply has not been correctly connected (☞ pg. 9).
The power suddenly goes off and doesn't come back on by itself.	<ul style="list-style-type: none"> • The battery pack has completely discharged. • Remove the cassette and disconnect the power source, then after a few minutes, try turning the power back on. If it still doesn't come on, consult your nearest JVC dealer.
RECORDING	
Recording cannot be performed.	<ul style="list-style-type: none"> • The recording tape's Erase Protection tab is missing. Cover the hole with adhesive tape. (Some tapes have sliding tabs. In this case, check the position of the tab.)
Recording does not start.	<ul style="list-style-type: none"> • The camcorder Power switch has not been set to "CAMERA" (☞ pg. 16).
PLAYBACK	
The tape is running, but there's no playback picture.	<ul style="list-style-type: none"> • The TV has not been set to its VIDEO mode or channel. • If A/V connection is used, the TV's VIDEO/TV switch has not been set to VIDEO. • The RF unit has not been set to the correct channel.
Noise bars appear in the playback picture.	<ul style="list-style-type: none"> • Manual Tracking has not been performed (☞ pg. 39).
Playback picture is blurred or interrupted.	<ul style="list-style-type: none"> • The video heads are dirty or worn out. Consult your nearest JVC dealer for head cleaning or replacement.
The counter indication is blurred during Still playback.	<ul style="list-style-type: none"> • This is normal.
TAPE TRANSPORT	
The tape stops during fast-forward or rewind.	<ul style="list-style-type: none"> • The Counter Memory Function has been activated (☞ pg. 39).
Rewinding or fast-forwarding cannot be performed.	<ul style="list-style-type: none"> • The tape is already fully wound on one reel or the other.



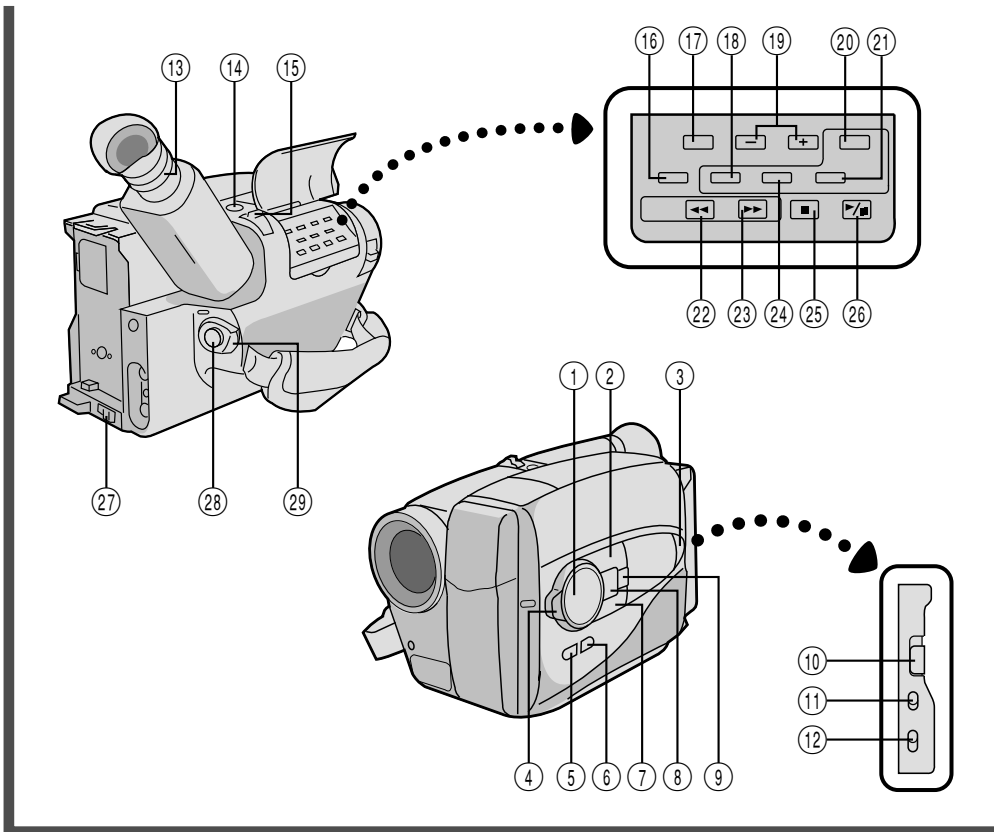
SYMPTOM	POSSIBLE CAUSE(S)
OTHER	
The tape won't eject.	<ul style="list-style-type: none"> • The battery pack is running low.
Some functions are not available.	<ul style="list-style-type: none"> • The Shooting Mode selector is set to "FULL AUTO".
Vertical white lines appear when shooting a very bright object.	<ul style="list-style-type: none"> • This sometimes occurs when the contrast between the background and the object is great. It is not a defect of the camcorder.
Bright, crystal-shaped spots appear in the viewfinder.	<ul style="list-style-type: none"> • Sunlight is directly entering the lens.
The picture is blurred in the Quick Review or Retake mode.	<ul style="list-style-type: none"> • This is normal while recording in the EP mode. Some noise may be present while recording in the SP mode (☞ pg. 13).
An error number (E03) appears in the viewfinder.	<ul style="list-style-type: none"> • Turn the camcorder's power off, then disconnect the power source. After a few minutes, try turning the power on again. If the error number still appears in the viewfinder, consult your nearest JVC dealer.
The image is out of focus.	<ul style="list-style-type: none"> • The diopter needs to be adjusted (☞ pg. 10). • The scene being shot is adversely affecting the operation of Auto Focus (☞ pg. 24). • Shift Zoom (☞ pg. 17) is in use. Beyond the optical zoom limit, magnification is achieved through digital processing. This will cause the image to look as though it's out of focus.
A character generator title and the date and time displays disappear from the viewfinder.	<ul style="list-style-type: none"> • If you remove the power source from the camcorder while the power is on, all settings and selections are erased. Make sure to turn the camcorder's power off before disconnecting the power source.
Even though the Lens Cover is open, the Lens Cover Warning indicator blinks.	<ul style="list-style-type: none"> • The Lens Cover Warning indicator may blink when the camcorder is used in dark areas, regardless of the position of the Lens Cover.

The camcorder is a microcomputer-controlled device. External noise and interference (from a TV, a radio, etc.) might prevent it from functioning properly. In such cases, first disconnect its power supply unit (battery pack, AC Power Adapter/Battery Charger, etc.) and clock battery; and then re-connect it and proceed as usual from the beginning.



INDEX Controls

EN 49

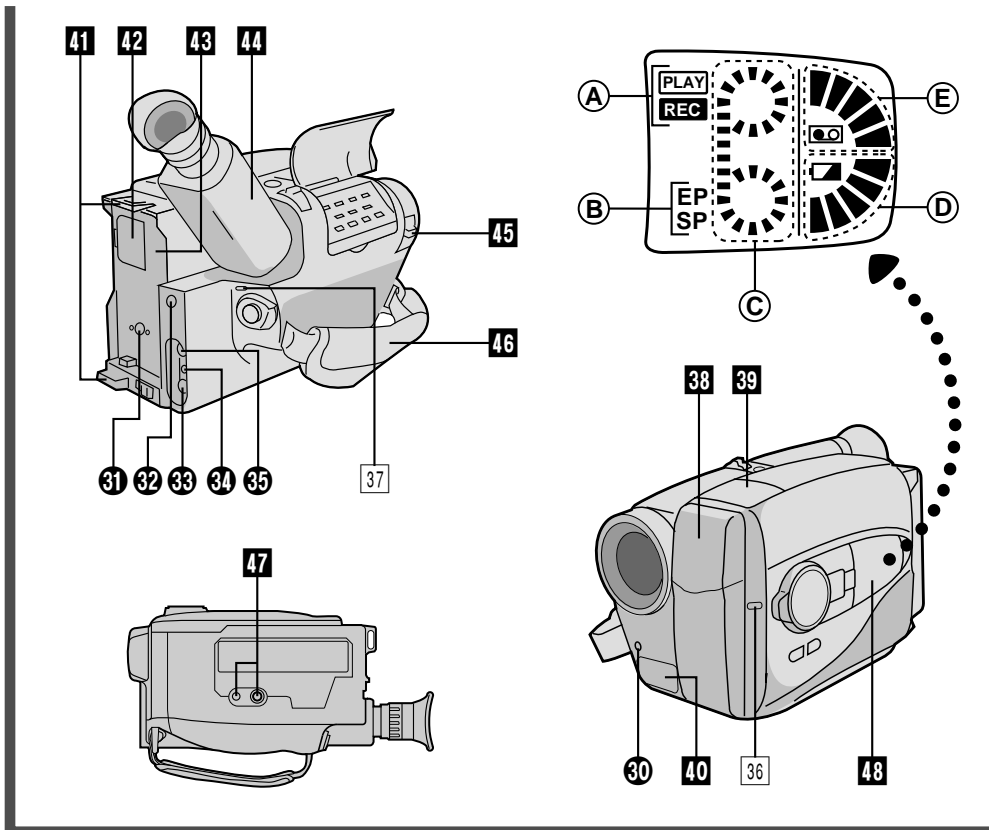


Controls

- ① Multi-Function Control [FAR/NEAR/+/- Buttons] pg. 11
- ② EFFECT/PROG.AE Button pg. 26
- ③ PUSH Button pg. 5
- ④ Shooting Mode Selector pg. 11
- ⑤ DISPLAY Button pg. 20
- ⑥ SNAPSHOT MODE Button pg. 21
- ⑦ FADE/WIPE Button pg. 28
- ⑧ MENU Button pg. 11
- ⑨ D.I.S. [Digital Image Stabilizer] Button pg. 22
- ⑩ EJECT Switch pg. 5
- ⑪ AUTO PAUSE ON/OFF Switch pg. 18
- ⑫ LIGHT ON/AUTO/OFF select switch pg. 19
- ⑬ Diopter Adjustment pg. 10
- ⑭ SNAPSHOT Button pg. 21
- ⑮ Power Zoom Lever pg. 17
- ⑯ MWB [Manual White Balance] Button pg. 23
- ⑰ Recording Mode [SP/EP] Select Button pg. 13
- COUNTER R [Reset]/M [Memory] Button pg. 39
- ⑱ EDIT Button pg. 43
- ⑲ TRACKING +/- Buttons pg. 39
- ⑳ R.A.EDIT IN/OUT Button pg. 42
- ㉑ R.A.EDIT Button pg. 42
- ㉒ REW Button pg. 38
- RETAKE R [Quick Review] Button pg. 17
- ㉓ FF Button pg. 38
- RETAKE F Button pg. 18
- ㉔ R.A.EDIT CANCEL Button pg. 42
- ㉕ STOP Button pg. 5
- ㉖ PLAY/PAUSE Button pg. 5
- ㉗ BATT. [Battery] RELEASE Switch pg. 5
- ㉘ Recording Start/Stop Button pg. 5
- ㉙ POWER Switch pg. 10



50_{EN}



Connectors

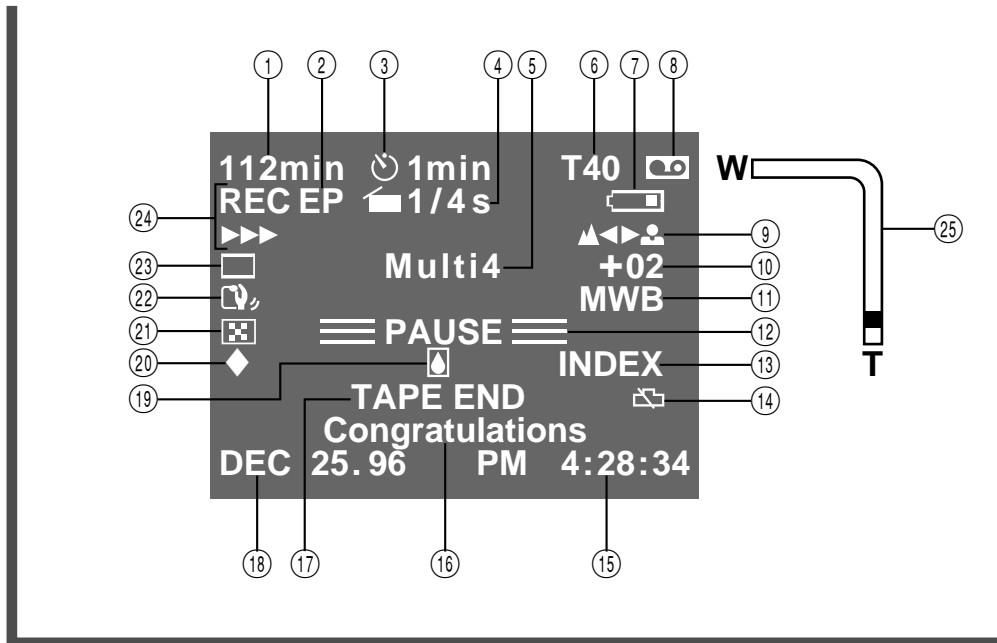
- 30 External MIC jack pg. 45
- 31 DC IN Jack pg. 9
- 32 JLIP (Joint Level Interface Protocol) Connector.
 - Connect the Editing Cable when performing Random Assemble Editing (pg. 42).
 - In the future, it will be used to connect the camcorder to a device such as a personal computer.
- 33 VIDEO Out Jack pg. 37
- 34 RF DC OUT Jack pg. 37
- 35 AUDIO Out Jack pg. 37

Indicators

- 36 Tally Lamp pg. 16
- 37 Power On Indicator pg. 16

Other Parts

- 38 Video Light pg. 19
- 39 Microphone pg. 45
- 40 Infrared beam sensor window pg. 15
(Be careful not to cover this area; built-in here is the sensor necessary for shooting.)
- 41 Shoulder Strap Eyelets pg. 14
- 42 Clock Battery Compartment pg. 10
- 43 Battery Pack Mount pg. 8
- 44 Electronic Viewfinder pg. 10
- 45 LENS COVER Switch pg. 5
- 46 Grip Strap pg. 14
- 47 Tripod Mounting Socket pg. 14
- 48 LCD window
 - Ⓐ Operating Mode (Playback//Recording) Indicator
 - Ⓑ Recording Mode Indicator
 - Ⓒ Tape Running Indicator
 - Ⓓ Remaining Battery Power Indicator
 - Ⓔ Tape Loaded/Remaining Tape Indicators



Viewfinder Indications

- ① Remaining Tape Time (☞ pg. 16)
- ② Recording Mode (SP/EP) Indicator (☞ pg. 13)
- ③ Interval Timer Indicator. (☞ pg. 34)
- ④ Recording Time Indicator (☞ pg. 35)
- ⑤ Snapshot Mode Display (☞ pg. 21)
- ⑥ Tape Length Display (☞ pg. 12)
- ⑦ Battery Pack Remaining Power Indicator (☞ pg. 8)
Changes as follows according to the battery pack's remaining power level:
"■■■-■■■-■■■-■■■". When the power is almost gone, the indicator blinks, then the unit shuts off. Replace the battery pack with a fully charged one.
(Note: The symbol containing 3 darkened squares —■■■— does not necessarily mean that the battery pack is fully charged.)
- ⑧ Cassette Indicator
Blinks when no cassette inserted; remains steadily lit when cassette inserted.
- ⑨ Focus Indicator (☞ pg. 24)
- ⑩ Exposure Level Display (☞ pg. 22)
- ⑪ White Balance Mode Indicator (☞ pg. 23)
- ⑫ Record-Standby Mode Indicator (☞ pg. 16)
- ⑬ Index Code Marking (☞ pg. 18)
- ⑭ Clock Warning
Once the power is turned on and the indicator blinks for about 10 seconds, perform the date and time settings (☞ pg. 11). After setting is complete, turn the power off and disconnect the power source. If you re-connect it and turn the power on and the indicator is blinking, that means that the clock (lithium) battery is either not installed or has discharged. Install, or replace the old battery with, a new one (☞ pg. 10).
- ⑮ Time Display (☞ pg. 20)
- ⑯ Instant Title Display (☞ pg. 32)
- ⑰ Tape End Display (☞ pg. 16)
Appears when the end of the tape is reached during playback, recording or fast-forward.
- ⑱ Date Display (☞ pg. 20)
- ⑲ Condensation Warning
When this indication appears, all functions are disabled. Turn the unit off (without removing the power source) for a few hours, and when you turn it on again the indicator should disappear.
- ⑳ Main Menu Setting Change Indicator (☞ pg. 31)
- ㉑ FADE/WIPE indicator (☞ pg. 28)
- ㉒ D.I.S. (Digital Image Stabilizer) Indicator (☞ pg. 22)
- ㉓ EFFECT/PROG.AE indicator (☞ pg. 26)
- ㉔ Recording Indicator (☞ pg. 16)
- ㉕ Zoom Indicator Bar (☞ pg. 17)

**A**

AC Power Adapter	pg. 9
Animation Recording	pg. 35
Audio Dubbing	pg. 45
Auto Focus	pg. 24

B

Battery Pack	pg. 8
Brighten the Image	pg. 22

C

Car Battery	pg. 9
Cassette Adapter	pg. 36
Character Generator	pg. 33
Charge Marker	pg. 9
Charging the Battery Pack	pg. 8
Cinema Mode	pg. 27
Clock (Lithium) Battery	pg. 10
Connection to a VCR/TV	pg. 37
Contents	pg. 7
Counter Memory	pg. 39

D

Darken the Image	pg. 22
Date/Time Insert	pg. 20
Date/Time Setting	pg. 11
Digital Image Stabilizer	pg. 22
Discharge the Battery pack	pg. 8
Diopter Adjust	pg. 10

E

Erase Protection	pg. 13
Exposure Control	pg. 22

F

Fade-in/out	pg. 28
Fast-Forward Tape	pg. 38
Focus Lock	pg. 24

G

Grip Adjustment	pg. 14
-----------------------	--------

H

High Speed Shutter Mode	pg. 27
-------------------------------	--------

I

Index Code Marking	pg. 18
Insert Cassette	pg. 13
Insert Editing	pg. 44
Instant Titles	pg. 32
Interval Timer	pg. 34

L

LCD	pg. 50
-----------	--------

M

Main Menu	pg. 31
Manual Focus	pg. 25
MBR Code Setting	pg. 41

P

Playback	pg. 36
Program AE with Special Effects	pg. 27
Provided Accessories	pg. 6

Q

Quick Review	pg. 17
--------------------	--------

R

Random Assemble Editing	pg. 40–43
Record-Standby	pg. 16
Recording, Advanced Features	pg. 20–35
Recording	pg. 16
Recording, Start/Stop	pg. 16
Recording Mode Setting	pg. 13
Remote Control Unit	pg. 15
Remove Cassette	pg. 13
Retake	pg. 18
Rewind Tape	pg. 38

S

Sepia Mode	pg. 27
Shift Zoom	pg. 17
Shoulder Strap Attachment	pg. 14
Shuttle Search	pg. 39
Snapshot	pg. 21
Specifications	pg. 55
Sports Mode	pg. 27
Still Playback	pg. 39
Sub Menu	pg. 31

T

Tape Counter	pg. 38
Tape Dubbing	pg. 40
Tape Length Setting	pg. 12
Time-Lapse Shooting	pg. 35
Tracking	pg. 39
Tripod Mounting	pg. 14
Twilight Mode	pg. 27

V

Viewfinder Adjustment	pg. 10
Viewfinder, Indications	pg. 51

W

White Balance Adjustment	pg. 23
Wipe in/out	pg. 28

Z

Zooming	pg. 17
---------------	--------



CAUTIONS

EN 53

DANGER:

Video Light

- The video light become extremely hot. Do not touch it either while in operation or soon after turning it off, otherwise serious injury may result.
- Do not place the camcorder into the carrying case immediately after using the video light, since it remains extremely hot.
- When operating, keep a distance of about 30 cm. (1 ft.) between the video light and people or objects.
- Do not use near flammable or explosive materials.
- It is recommended that you consult your nearest JVC dealer for replacing the video light.

Serious malfunctioning

If malfunctioning occurs, stop using the unit immediately and consult your local JVC dealer.

General Battery Precautions

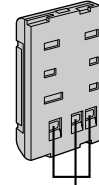
- When the C-P6U or C-P7U (cassette adapter) is not functioning even when correctly operated, the batteries are exhausted. Replace them with fresh ones.
- Use only the following batteries:
C-P6U or C-P7U AA (R6) size

Please make note of the following rules for battery use. When misused, batteries can leak or explode.

1. Refer to the C-P6U/C-P7U instructions when replacing batteries.
2. **Do not** use old and new batteries together.
3. **Do not** use two different kinds of batteries. Although sizes may be the same, voltages may differ.
4. **Do not** expose batteries to excessive heat as they can leak or explode.
5. **Do not** dispose of batteries in a fire.
6. Remove batteries from the unit if it is to be stored for an extended period to avoid battery leakage which can cause malfunctions.

Battery Packs

The supplied battery pack is a nickel-cadmium battery. Before using the supplied battery pack or an optional battery pack, be sure to read the following cautions:



Terminals

1. **To avoid hazard . . .**
 - **do not** burn.
 - **do not** short-circuit the terminals.
 - **do not** modify or disassemble.
 - use only specified chargers.
2. **To prevent damage and prolong service life . . .**
 - **do not** subject to unnecessary shock.
 - avoid repeated charging without fully discharging.
 - charge in an environment where temperatures are within the tolerances shown in the chart below. This is a chemical reaction type battery—cooler temperatures impede chemical reaction, while warmer temperatures can prevent complete charging.
 - store in a cool, dry place. Extended exposure to high temperatures will increase natural discharge and shorten service life.
 - avoid prolonged uncharged storage.
 - remove from charger or powered unit when not in use, as some machines use current even when switched off.
3. **To prevent damage to the camcorder . . .**
 - replace the battery pack when it begins to deliver less recording time per charge.

NOTE:

It is normal for the battery pack to be warm after charging, or after use.

Temperature Range Specifications

Charging	10°C to 35°C (50°F to 95°F)
Operation	0°C to 40°C (32°F to 104°F)
Storage	-10°C to 30°C (14°F to 86°F)

NOTES:

- Recharging time is based on room temperature of 20°C.
- The lower the temperature, the longer recharging takes.



Cassettes

To properly use and store your cassettes, be sure to read the following cautions:

1. During use . . .

- make sure the cassette bears the VHS-C mark.
- be aware that recording onto prerecorded tapes automatically erases the previously recorded video and audio signals.
- make sure the cassette is positioned properly when inserting.
- do not load and unload the cassette repeatedly without allowing the tape to run at all. This slackens the tape and can result in damage.
- do not open the front tape cover. This exposes the tape to fingerprints and dust.

2. Store cassettes . . .

- away from heaters or other heat sources.
- out of direct sunlight.
- where they won't be subject to unnecessary shock or vibration.
- where they won't be exposed to strong magnetic fields (such as those generated by motors, transformers or magnets).
- vertically, in their original cases.

3. DO NOT leave the unit . . .

- in places of over 50°C (122°F).
- in places where humidity is extremely low (below 35%) or extremely high (above 80%).
- in direct sunlight.
- in a closed car in summer.
- near a heater.

4. To protect the unit, DO NOT . . .

- allow it to become wet.
- drop the unit or strike it against hard objects.
- subject it to shock or excessive vibration during transportation.
- keep the lens directed at extremely bright objects for long periods.
- direct the eyepiece of the viewfinder at the sun.
- carry it by holding the viewfinder.
- swing it excessively when using the shoulder strap.

5. This camcorder features a built-in head cleaner which automatically cleans the heads and head drum when a cassette is loaded or unloaded. If, however, the heads become dirty and cause blurriness or interruption in the playback picture, consult your nearest JVC dealer.

Main Unit

1. For safety, DO NOT . . .

- open the camcorder's chassis.
- disassemble or modify the unit.
- short-circuit the terminals of the battery pack. Keep it away from metallic objects when not in use.
- allow inflammables, water or metallic objects to enter the unit.
- remove the battery pack or disconnect the power supply while the power is on.
- leave the battery pack attached when the camcorder is not in use.

2. Avoid using the unit . . .

- in places subject to excessive humidity or dust.
- in places subject to soot or steam such as near a cooking stove.
- in places subject to excessive shock or vibration.
- near a television set.
- near appliances generating strong magnetic or electric fields (speakers, broadcasting antennas, etc.).
- in places subject to extremely high (over 40°C or 104°F) or extremely low (under 0°C or 32°F) temperatures.

About moisture condensation . . .

- You have observed that pouring a cold liquid into a glass will cause drops of water to form on the glass' outer surface. This same phenomenon occurs on the head drum of a camcorder when it is moved from a cool place to a warm place, after heating a cold room, under extremely humid conditions or in a place directly subjected to the cool air from an air conditioner.
- Moisture on the head drum can cause severe damage to the video tape, and can lead to internal damage to the camcorder itself.



SPECIFICATIONS

EN 55

GENERAL

Format	: VHS NTSC standard
Power source	: DC 6V
Power consumption	
Light on	: 8.9 W
Light off	: 5.9 W
Signal system	: NTSC-type
Video recording system	
Luminance	: FM recording
Color	: Converted sub-carrier direct recording
	*Conforms to VHS standard
Cassette	: cassette
Tape speed	
SP	: 33.35 mm/sec. (1-5/16 ips)
EP	: 11.12 mm/sec. (7/16 ips)
Recording time (max.)	
SP	: 40 minutes
EP	: 120 minutes (with TC-40 cassette)
Operating temperature	: 0°C to +40°C (32°F to 104°F)
Operating humidity	: 35% to 80%
Storage temperature	: -20°C to +50°C (-4°F to 122°F)
Weight	: Approx. 780 g (1.8 lbs)
Dimensions (Including viewfinder)	: 109 (W) x 113 (H) x 206 (D) mm (4-5/16" x 4-1/2" x 8-1/8")

CAMERA

Pick up	: 1/4" format CCD
Lens	: F1.2, f = 4.1 to 57.4 mm, 14:1 power zoom lens with auto iris and macro control, filter diameter 46 mm
Viewfinder	: Electronic viewfinder with 0.55" color LCD CRT
White balance adjustment	: Auto/Manual adjustment

VIDEO

Output	: 1 Vp-p, 75 ohms, unbalanced (via VIDEO out connector)
--------	---

AUDIO

Output	: -8 dBs, 1 k-ohm (via AUDIO out connector)
External microphone input	: -68 dBs, high impedance, unbalanced with ø3.5 mm (MONO)

AC POWER ADAPTER/BATTERY CHARGER (AA-V11EG)

Power requirement	: AC 110 V to 240 V~, 50/60 Hz
Power consumption	: 23 W
Output	
Charge	: DC 8.5 V , 1.3 A
VTR	: DC 6.3 V , 1.8 A
Charging system	: Constant current, peak detection, timer controlled
Dimensions	: 150 (W) x 42 (H) x 68 (D) mm (5-15/16" x 1-11/16" x 2-11/16")
Weight	: Approx. 350 g (0.71 lbs)

CASSETTE ADAPTER (C-P7U)

Dimensions	: 188 (W) x 25 (H) x 104 (D) mm (7-7/16" x 1" x 4-1/8")
Weight	: Approx. 240 g (0.53 lbs)
Accessory	: "AA (R6)"-size battery x 1

Provided Accessories pg. 6

Optional Accessories

- Battery Packs BN-V12U, BN-V22U, BN-V25U
- Car Battery Charger BH-V3U
- Battery Charger BH-VC10U
- Car Battery Cord AP-V7U
- RF Unit RF-V5U
- Compact VHS-C Cassettes TC-40/30/20
- Active Carrying Bag CB-V7U

* Some accessories are not available in some areas. Please consult your nearest JVC dealer for details on accessories and their availability.

Specifications shown are for SP mode unless otherwise indicated. E. & O. E. Design and specifications subject to change without notice.

Estimado cliente:

Le agradecemos la adquisición de la videocámara de VHS compacto de JVC. Antes de utilizarla, lea la información y precauciones de seguridad contenidas en las siguientes páginas para utilizar su nueva videocámara con seguridad.

Uso de este manual de instrucciones

- Todas las secciones principales y subsecciones están listadas en el índice (☞ p. 7).
- Las notas aparecen al fin de la mayoría de las subsecciones. No deje de leerlas.
- Las características/operación básicas y avanzadas están separadas para facilitar la referencia.

Le recomendamos que . . .

- se refiera al índice (☞ p. 49 – 52) y que se familiarice con la ubicación de los botones, etc. antes de utilizar la cámara.
- lea con atención las precauciones de seguridad y las precauciones (☞ p. 53, 54) siguientes. Las mismas contienen información extremadamente importante referente al uso seguro de su nueva videocámara.

PRECAUCIONES DE SEGURIDAD

ADVERTENCIA:
PARA EVITAR RIESGOS DE INCENDIOS O ELECTROCUCIONES, NO EXPONGA ESTE APARATO A LA LLUVIA O HUMEDAD.

PRECAUCIONES:

- Para evitar cortocircuitos, no abra la videocámara. No hay componentes que puedan ser reparados por el usuario. Consulte con personal de servicio cualificado.
- Cuando no utilice la alimentación de CA del adaptador/cargador de pilas durante un largo período, le recomendamos desconectar el cable de alimentación del adaptador de CA.



- La cámara está concebida exclusivamente para el videocassette VHS-C. Los cassettes que llevan esta marca son los únicos que pueden utilizarse en esta unidad.
- HQ VHS es compatible con el equipo VHS existente.

Advertencia sobre la pila de litio

La pila utilizada en este aparato podría ocasionar incendios o quemaduras por sus productos químicos si no se la trata adecuadamente. No la recargue, desarme, caliente a más de 100°C o incinere. Cámbiela por una CR2025 de Panasonic (Matsushita Electric), Sanyo o Maxell; el uso de otra pila podría acarrear riesgos de incendio o explosión.

- Descarte inmediatamente las pilas usadas.
- Manténgala alejada del alcance de los niños.
- No la desarme ni la arroje al fuego.

Esta videocámara está diseñada para ser utilizada con señales de televisión en color tipo NTSC. No puede emplearse para reproducir en un televisor de otra norma. Sin embargo, es posible grabar en vivo en cualquier lugar. Utilice las pilas BN-V12U/BN-V22U/BN-V25U, re-cargándolas con el adaptador/cargador de CA suministrado. (Posiblemente sea necesario un adaptador de conversión apropiado que se adecúe al tipo de toma de corriente de su país.)

NOTAS:

- La placa indicadora (placa del número de serie) y la precaución de seguridad están en la parte inferior y/o en la parte trasera de la unidad principal.
- La placa indicadora (placa del número de serie) del adaptador/cargador de CA está en la parte inferior del mismo.

Esta unidad ha sido fabricada de acuerdo con la norma IEC Publ. 65.



INSTRUCCIONES DE SEGURIDAD IMPORTANTES

La energía eléctrica cumple con muchas funciones útiles, pero el uso inadecuado de la misma puede resultar en la posibilidad de choques eléctricos o incendios. Este producto ha sido diseñado y fabricado para su seguridad personal. Para no desactivar los mecanismos de seguridad incorporados cumpla con las siguientes reglas básicas, para su instalación, utilización y reparación.

ATENCIÓN:

Cumpla con todas las advertencias e instrucciones marcadas en su producto y con sus instrucciones para operación. Para su seguridad, lea detenidamente todas las instrucciones de seguridad y de operación antes de utilizar este producto y conserve este manual para referencia futura.

INSTALACION

1. Fuentes de alimentación

Conecte su producto a una fuente de alimentación del tipo indicado en la etiqueta. Si no está seguro del tipo que alimentación eléctrica que tiene su hogar, consulte al agente que le vendió el producto o a la compañía local de energía eléctrica. Si su producto es para ser utilizado con alimentación por pilas, u otras fuentes de alimentación, refiérase a las instrucciones de operación.

2. Sobrecarga

No sobrecargue los tomacorrientes, los cordones de extensión, o los enchufes integrales ya que ésto puede resultar en riesgo de incendio o choques eléctricos.

3. Protección del cordón eléctrico

Los cordones eléctricos deben ser tendidos de manera que se evite pisarlos o que sean pellizcados por artículos colocados sobre o contra los mismos, prestando particular atención a los cordones con enchufes, los tomacorrientes y el punto desde dónde el cordón sale del producto.

4. Ventilación

Las ranuras y aberturas en el gabinete sirven para ventilación. Para asegurar un funcionamiento confiable del producto y para protegerlo contra recalentamiento, estas aberturas no deben ser bloqueadas o cubiertas.

- No bloquee las aberturas colocando el producto sobre una cama, sofá, paño u otra superficie similar.
- No coloque el producto en lugares encerrados tales como cajas o estanterías a menos que los mismos suministren ventilación adecuada, o en los cuales estén adheridas las instrucciones del fabricante.

5. Instalación en la pared o en el techo

El producto debe ser instalado en una pared o techo sólo de la forma recomendada por el fabricante.

INSTRUCCIONES PARA LA INSTALACION DE LA ANTENA

1. Conexión a masa de la antena al aire libre

Si se conecta el producto a una antena al aire libre o a un sistema de cable, asegúrese que el sistema de antena o de cable esté conectado a masa para suministrar protección contra sobrevoltaje y acumulación de cargas de electricidad estática. El Artículo 810 del Código Eléctrico Nacional, ANSI/NFPA 70 suministra información en referencia a la correcta conexión a masa del mástil y de la estructura de soporte, conexión a masa del cable conductor de la antena hacia una unidad de descarga, tamaño de los conductores de conexión a masa, ubicación de la unidad de descarga de la antena, conexión a los electrodos de conexión a masa y requisitos para el electrodo de conexión a masa.

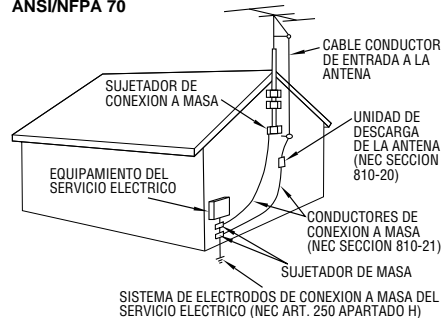
2. Rayos

Para protección adicional de este producto durante una tormenta de rayos o cuando se lo deja desatendido y sin utilizar durante largos períodos, es necesario desenchufarlo del tomacorrientes y desconectar la antena o el sistema de cable. Esto evitará daños al producto ocasionados por rayos y sobretensión.

3. Cables eléctricos

El sistema de antena al aire libre no debe estar ubicado en la vecindad de cables eléctricos elevados ni otros circuitos eléctricos para alimentación o iluminación, o cuando pueda caer sobre tales cables o circuitos eléctricos. Cuando instale el sistema de antena al aire libre, es necesario tomar extremadas precauciones para que no entre en contacto con tales cables o circuitos eléctricos, ya que el contacto con los mismos puede ser fatal.

EJEMPLO DE CONEXION A MASA DE LA ANTENA DE ACUERDO CON EL CODIGO ELECTRICO NACIONAL, ANSI/NFPA 70



NEC – CODIGO ELECTRICO NACIONAL

UTILIZACION

1. Accesorios

Para evitar lesiones personales:

- No coloque este producto sobre un carro, pedestal, trípode, soporte o mesa inestable, ya que puede caer causando graves lesiones a los niños o adultos, y graves daños al producto.
- Utilice el carro, pedestal, trípode, soporte o mesa recomendado por el fabricante o vendido conjuntamente con el producto.
- Utilice los accesorios de montaje recomendados por el fabricante y siga las instrucciones del mismo para cualquier tipo de montaje del producto.
- No intente hacer rodar el carro con pequeñas ruedecillas a través de umbrales o alfombras gruesas.

2. Combinación de producto y carro

El conjunto del producto sobre el carro debe ser movido con precaución. Las paradas repentinas, la fuerza excesiva, o las superficies irregulares pueden hacer que el conjunto se vuelque.

3. Agua y humedad

No utilice este producto cerca del agua, por ejemplo cerca de una bañera, recipiente para lavar, pileta de cocina o lavabo, en sótanos húmedos o cerca de piscinas o similares.

ADVERTENCIA PARA EL
CARRO PORTATIL
(Símbolo suministrado
por RETAC)



4. Entrada de objetos y líquidos

Nunca introduzca objetos de ningún tipo dentro de este producto a través de las aberturas, ya que los mismos pueden entrar en contacto con puntos donde hay altos voltajes o cortocircuitar componentes, lo cual puede resultar en incendios o choques eléctricos. Nunca derrame líquidos de ningún tipo sobre el producto.

5. Accesorios

No utilice accesorios que no sean los recomendados por el fabricante de este producto ya que pueden producir accidentes.

6. Limpieza

Antes de limpiarlo desenchufe este producto del tomacorriente. No utilice líquidos para limpieza ni aerosoles. Para limpiarlo utilice un paño húmedo.

7. Calor

Este producto debe estar lejos de fuentes de calor tales como radiadores, calentadores, estufas, u otros productos (incluyendo amplificadores), que producen calor.

REPARACION

1. Reparación

Si su producto no funciona correctamente o presenta un cambio marcado en las prestaciones y si usted es incapaz de hacerlo funcionar correctamente siguiendo los procedimientos detallados de las instrucciones de operación, no intente repararlo por sí mismo ya que la abertura o extracción de las cubiertas puede exponerlo a voltajes elevados u otros peligros. Deje el trabajo de reparación en manos de personal de servicio cualificado.

2. Daños que requieren reparación

Desenchufe este producto del tomacorriente y llame al personal de servicio cualificado, en caso de ocurrir lo siguiente:

- Cuando el cordón o el enchufe de alimentación está dañado.
- Si ha derramado líquido o han caído objetos dentro del producto.
- Si el producto ha sido expuesto a la lluvia o al agua.
- Si el producto no funciona correctamente aunque se esté cumpliendo con las instrucciones para operación. Ajuste sólo aquellos controles que están cubiertos por las instrucciones de operación ya que un ajuste incorrecto de otros controles puede resultar en daños y con frecuencia requieren trabajo extensivo realizado por un técnico cualificado para devolver el producto a su funcionamiento normal.
- Si el producto ha sido dejado caer o es dañado de alguna manera.
- Cuando el producto muestra un cambio marcado en las prestaciones, lo cual indica la necesidad de reparación.

3. Reemplazo de componentes

Cuando sea necesario reemplazar componentes, asegúrese que el técnico de servicio utilice componentes para reemplazo especificados por el fabricante o que tengan las mismas características que los componentes originales. La substitución no autorizada puede resultar en incendios, choques eléctricos u otros accidentes.

4. Inspección de seguridad

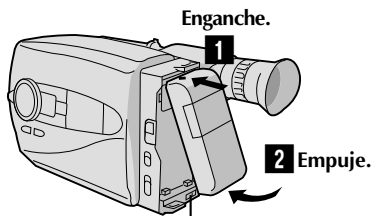
En el momento de completar cualquier servicio o reparación de este producto, solicítele al técnico de servicio que efectue las inspecciones de seguridad para comprobar que el producto está en condiciones para ser utilizado con seguridad.



GUIA PARA OPERACION RAPIDA

ES 5

ALIMENTACION



BATT. RELEASE (extracción de la batería)

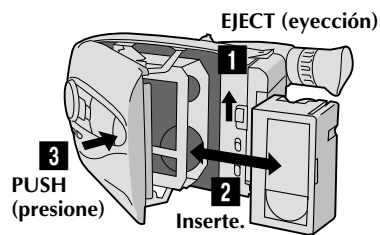
Utilización de la batería

- 1** Enganche el extremo superior de la batería en la videocámara (Procedimiento para carga p. 8).
- 2** Empuje la batería hacia adentro hasta que quede bloqueada en su lugar.

Para extraer la batería

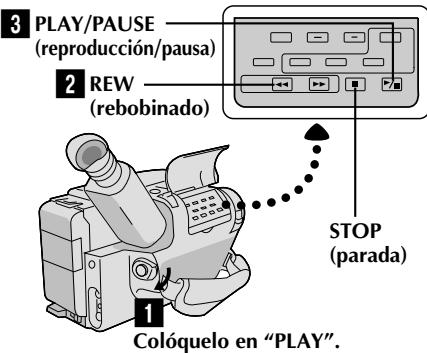
Deslice **BATT. RELEASE** y extraiga la batería.

INSERCIÓN DEL CASSETTE DE VIDEO



- 1** Deslice **EJECT**.
- 2** Inserte un cassette de video.
- 3** Presione **PUSH**.
(Por más detalles, p. 13)

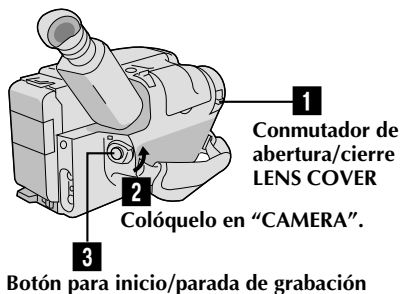
REPRODUCCION



- 1** Ajuste el interruptor de alimentación en "PLAY".
 - 2** Presione **REW**.
— La cinta se detiene automáticamente al comienzo de la misma.
 - 3** Presione **PLAY/PAUSE**.
— Comienza la reproducción y la imagen aparece en el visor.
- Presione **STOP** para detener la grabación.
(Por más detalles, p. 38.)

■ O simplemente reproduzca la cinta en un VCR de VHS utilizando el adaptador de cassette (VHS Playpak). p. 36

FILMACION



- 1** Deslice el conmutador de apertura/cierre **LENS COVER** para abrir la tapa del objetivo.
 - 2** Ajuste el interruptor de alimentación en "CAMERA".
— El indicador de alimentación se encenderá y aparecerá la imagen en el visor.
 - 3** Presione el botón inicio/parada de grabación.
— Comenzará la grabación.
- Para detener temporalmente la grabación, presione nuevamente el botón de inicio/parada de grabación.
(Por más detalles, p. 16)



6^{ES}

CARACTERÍSTICAS PRINCIPALES

RECUERDE

La mejor selección es...



Compact VHS
VHS

Los únicos videocassettes compactos que pueden ser usados en su video VHS*.

*Mediante un adaptador de cassette

Programa AE con efectos especiales (p. 26)

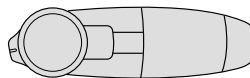
- Cinema • Sepia • Atardecer • Deportes
- Obturador con alta velocidad (1/2000 s.)
- Película clásica • Efecto estroboscópico
- Obturación lenta

Reemplazos de imagen y fundidos digitales (p. 28)

- Fundido en negro • Fundido en azul
- Fundido en mosaico
- Reemplazo de imagen tipo persiana
- Reemplazo de imagen tipo deslizante
- Reemplazo de imagen desde la esquina
- Disolución • Selección automática

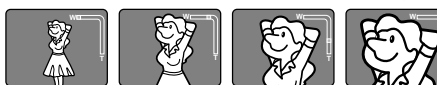
Luz automática integrada en el diseño (p. 19)

Control de múltiples funciones (p. 22 a 35)



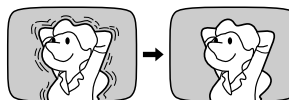
Hiper zoom digital (p. 22)

Acercamiento de la imagen

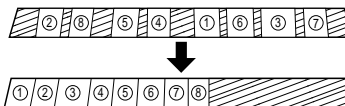


Alejamiento de la imagen

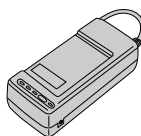
Estabilizador de imagen digital (p. 22)



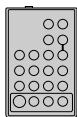
Edición de conjuntos aleatorios (p. 40 a 43)



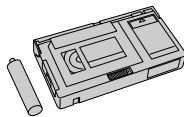
ACCESORIOS SUMINISTRADOS



- Adaptador/cargador de CA AA-V11EG



- Mando a distancia RM-V706U



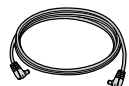
- Adaptador de cassette C-P7U (VHS playpak)



- Paquete de pilas BN-V12U



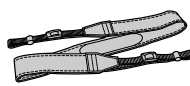
- Pila de litio CR2025



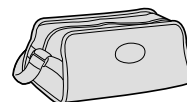
- Cable de CC



- Cable de edición



- Correa para hombro



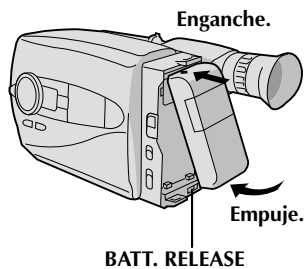
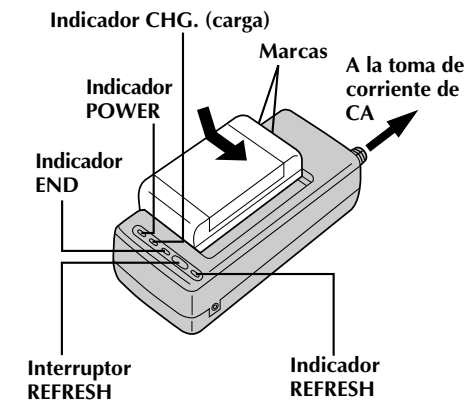
- Bolso CB-V8U



CONTENIDO

ES 7

PREPARATIVOS	8
Alimentación	8
Extracción/inserción de la pila (litio) del reloj	10
Ajuste del visor	10
Ajustes de la fecha/hora	11
Ajuste de la longitud de la cinta	12
Ajuste del modo de grabación	13
Colocación y extracción de un cassette	13
Ajuste de la empuñadura	14
Colocación de la correa para el hombro	14
Montaje del trípode	14
El mando a distancia RM-V706U	15
GRABACION	16
Grabación básica	16
Funciones básicas	17
Luz de video	19
Funciones avanzadas	20
Inserción de fecha y hora	20
Fotografiado	21
Estabilizador de imagen digital	22
Control de exposición	22
Ajuste del balance del blanco	23
Enfoque	24
Programa AE con efectos especiales	26
Fundido y reemplazo de imagen	28
Uso del menú para ajuste fino	30
Títulos instantáneos	32
Disparador automático	34
Animación	35
Lapso de tiempo	35
REPRODUCCION	36
Uso del adaptador de cassette	36
Conexiones básicas	37
Reproducción básica	38
Funciones	39
EDICION	40
Copia de cintas	40
Edición de conjuntos aleatorios [Edición R. A.]	40
Edición por inserción	44
Copia de audio	45
MANTENIMIENTO POR PARTE DEL USUARIO	46
LOCALIZACION Y REPARACION DE AVERIAS	47
INDICE	49
Controles	49
Conectores	50
Indicadores	50
Otras partes	50
Visor	51
Términos	52
PRECAUCIONES	53
ESPECIFICACIONES	55

**ATENCIÓN:**

Antes de desmontar la fuente de alimentación, asegúrese que la alimentación de la videocámara esté desconectada. El no hacerlo puede producir una falla de funcionamiento en la videocámara.

**** REFRESCADO (REFRESH)**

El adaptador de CA se caracteriza por la función REFRESH que le permite descargar totalmente la batería antes de recargarla.

Para descargar la batería . . .

.... coloque la batería en el adaptador como se muestra en la ilustración de la izquierda. Luego presione REFRESH. El indicador REFRESH se enciende cuando se inicia la descarga y se apaga cuando la descarga ha terminado.

Alimentación

Esta videocámara posee un sistema de alimentación de 3 vías que le permite seleccionar la fuente de alimentación más apropiada.

NOTAS:

- Sin alimentación no hay ninguna función disponible.
- Utilice exclusivamente la alimentación indicada.
- No utilice las unidades de alimentación suministradas con otro equipo.

CARGA DE LA BATERIA**1 ALIMENTACION**

1 Conecte el cable de alimentación de CA del cargador a una toma de corriente. Se encenderá el indicador de alimentación.

2 COLOCACION DE LA BATERIA

2 Alinee las marcas y deslice la batería en la dirección de la flecha hasta que quede bloqueada en su lugar. Se enciende la luz indicadora CHG.

3 EXTRACCION DE LA BATERIA

3 Cuando la carga está completa, se encenderá el indicador END. Deslice la batería en el sentido opuesto al de la flecha.

BATERIA	CARGA	DESCARGA
BN-V12U	aprox. 1 h 10 m	aprox. 3 h 30 m
BN-V22U	aprox. 2 h 10 m	aprox. 7 h
BN-V25U	aprox. 2 h 40 m	aprox. 10 h

USO DE LA BATERIA**1 COLOCACION DE LA BATERIA**

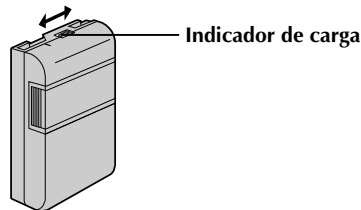
1 Enganche la parte superior de la misma en la videocámara y empújela hasta que se bloquee en su lugar.

2 EXTRACCION DE LA BATERIA

2 Deslice BATT. RELEASE y extraiga la batería.

BATERIA	TIEMPO DE GARABACION APROXIMADO
BN-V12U	1 h (35 m)
BN-V22U	2 h 10 m (1 h 20 m)
BN-V25U	2 h 50 m (1 h 50 m)

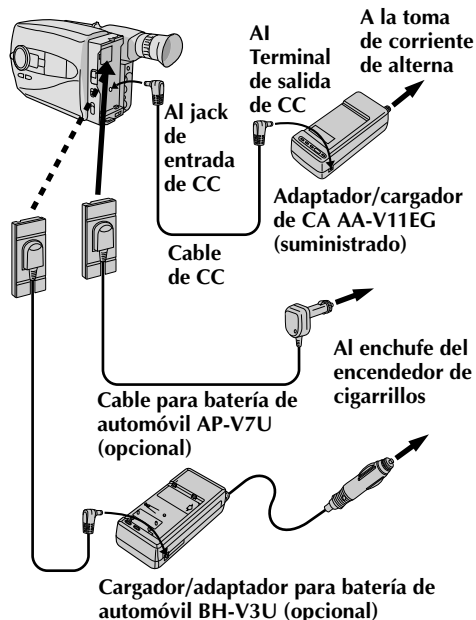
() : cuando está encendida la luz de video.

****INDICADOR DE CARGA**

Se incorpora un indicador de carga sobre la batería para ayudarle a recordar si ha sido cargada o no. Los dos colores indicadores (rojo y negro), le permiten seleccionar la carga y la descarga.

NOTAS:

- El tiempo de grabación por carga depende de factores tales como el tiempo de activación del modo de grabación/pausa y la frecuencia de accionamiento del zoom. Lo más seguro es tener baterías de repuesto.
- Los tiempos de carga indicados en la página 8 son para la batería completamente descargada, y los tiempos de descarga son para la batería completamente cargada.
- Los tiempos de carga y de descarga varían dependiendo de la temperatura ambiente y el estado de la batería.
- Recuerde colocar el marcador de carga después de cargar la batería o después de extraer la descargada de su videocámara.
- Efectúe la operación REFRESH después de un mínimo de 5 cargas.
- Las altas temperaturas pueden dañar la batería, por eso, utilícela en un lugar con buena ventilación. No permita que se descargue dentro de un lugar cerrado tal como una bolsa.
- Si usted para de cargar o descargar la batería en medio del proceso, asegúrese de extraerla antes de desconectar el cable del adaptador de CA.
- Extraiga la batería del adaptador inmediatamente después de descargarla.
- Para evitar interferencia con la recepción, no utilice el adaptador/cargador de CA cerca de una radio.
- Asegúrese de desenchufar el cable de CC después de cargar o descargar la batería.
- El parpadeo del indicador CHG, indica que la batería está caliente. Espere hasta que se enfríe para continuar.
- El indicador CHG. puede no encenderse correctamente con una batería nueva, o cuando la misma ha sido almacenada durante un largo período. En este caso extraiga y recolóque la batería para cargarla. El indicador CHG. debe encenderse durante la recarga, de lo contrario póngase en contacto con su agente JVC más cercano.

**USO DE LA BATERIA DEL AUTOMOVIL**

Utilice el cable opcional para batería del automóvil o el cargador/adaptador de la batería del automóvil (conéctelo como se muestra en la ilustración de la izquierda).

NOTAS:

- Cuando utilice la batería del automóvil deje el motor en marcha ralentí.
- El cargador opcional de la batería del automóvil (BH-V3U) puede también ser usado para cargar la batería.
- Cuando utilice el cargador opcional de la batería del automóvil o el cable de la batería del automóvil (AP-V7U), refiérase al librito de instrucciones correspondiente.

USO DE ALIMENTACION CON CA

Utilice el adaptador de CA (conectado como se muestra en la ilustración de la izquierda).

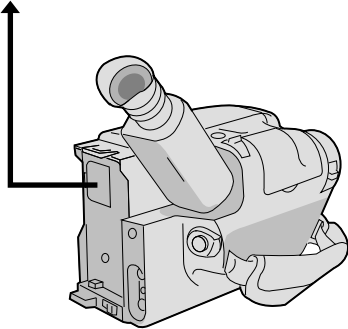
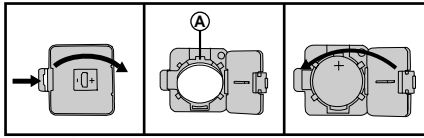
NOTA:

El adaptador/cargador de CA se caracteriza por un selector automático de voltaje con límites de CA que van de 110 a 240 V.



10_{ES}

PREPARATIVOS (cont.)



Extracción/inserción de la pila (litio) del reloj

Esta pila es necesaria para el funcionamiento del reloj y para efectuar los ajustes de fecha/hora.

DESCONEXION DE LA ALIMENTACION

1 Desconecte la alimentación de la unidad y extraiga la unidad de alimentación.

ABERTURA DE LA CUBIERTA

2 Abra la cubierta del compartimiento de la pila del reloj presionando la lengüeta de abertura.

EXTRACCION DE LA PILA (al reemplazar)

3 Inserte un objeto puntiagudo no metálico entre la pila y el compartimiento (A), y extraiga la pila.

INSERCIÓN DE LA PILA

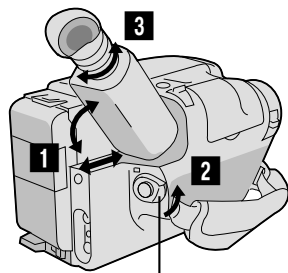
4 Inserte la pila de litio CR2025 empujándola, y asegurándose de que el polo positivo (+) esté apuntando hacia arriba.

CIERRE DE LA CUBIERTA

5 Cierre la cubierta del compartimiento hasta que escuche un "clic".

NOTA:

Ver "PRECAUCIONES DE SEGURIDAD" (p. 2) por información sobre la manipulación segura de las pilas de litio.



Coloque POWER en "CAMERA".

Ajuste del visor

POSICIONAMIENTO DEL VISOR

1 Ajuste el visor manualmente para la mejor visibilidad (ve la ilustración a la izquierda).

SELECCION DEL MODO

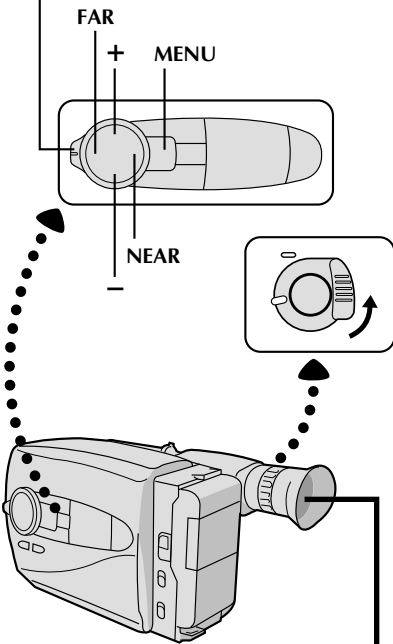
2 Coloque el conmutador de alimentación en "CAMERA".

AJUSTE DE LA DIOPTRIA

3 Gire el control de ajuste de la dioptría hasta que las indicaciones en el visor queden claramente enfocadas.



Selector del modo de filmación



Pantalla del menú principal

Shift Zoom	OFF
Tele Macro	OFF
Gain Up	AGC
Color Filter	NOR.
Tape Length	T30
Title	
Date/Time	
Sub Menu	

Pantalla de ajuste de fecha y hora

JAN	1.00	AM 12:00
Set		
Cancel		

Fecha
Mes/día/año

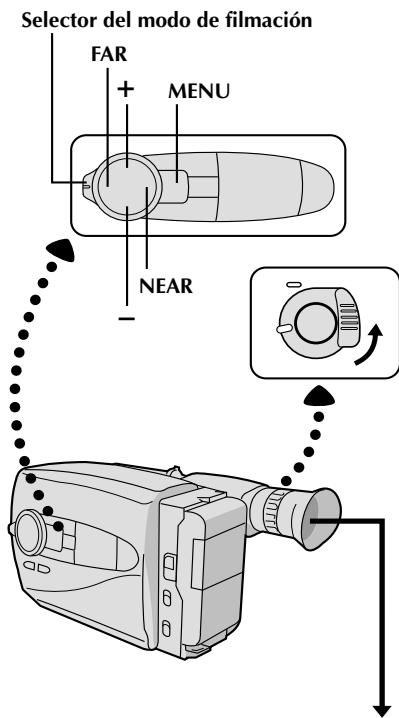
Hora
Sistema de 12 horas con AM ó PM

Ajuste de la fecha/hora

- 1 SELECCION DEL MODO**
Coloque el conmutador de alimentación en "CAMERA", y el selector de modo de filmación en "PRESET".
- 2 ACCESO A LA PANTALLA DE MENU PRINCIPAL**
Presione MENU.
- 3 SELECCION DE FUNCION**
Presione - para mover la barra iluminada hacia abajo hasta "Date/Time" y después presione NEAR. Aparecerá la pantalla de ajuste de fecha y hora.
- 4 AJUSTE DE LA FECHA/HORA**
Presione FAR o NEAR hasta que el ítem que desea ajustar comience a parpadear, después presione + o - hasta que visualice el ajuste correcto.
 - Si desea volver a los ajustes previos de fecha y hora, presione FAR o NEAR para mover la barra iluminada a "Cancel", y después presione MENU.
 - Si está satisfecho con el ajuste, vaya al paso 5.
- 5 ACTIVACION DEL RELOJ**
Una vez que haya ajustado el mes, el día, el año y la hora, presione FAR o NEAR, hasta que "Set" comience a parpadear, y después presione MENU. Aparecerá la pantalla del menú principal.
- 6 CIERRE DEL MENU PRINCIPAL**
Presione MENU.

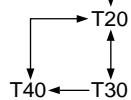
NOTAS:

- Para llamar al visor y al TV conectado la fecha y la hora, vea "Inserción de fecha/hora" (p. 20).
- Si en el paso 4 ingresa una fecha incorrecta (FEB 30, JUN 31, etc.), y realiza el paso 5, en la parte inferior de la pantalla visualizará "Input Error" parpadeando. Presione +, -, FAR o NEAR para que el día parpadee e ingrese el número correcto.



Pantalla del menú principal

Shift Zoom	OFF
Tele Macro	OFF
Gain Up	AGC
Color Filter	NOR.
Tape Length	T40
Title	
Date/Time	
Sub Menu	



Ajuste de la longitud de la cinta

- 1 SELECCION DEL MODO**
Coloque el conmutador de alimentación en "CAMERA" y el selector de modo de filmación en "PRESET".

- 2 ACCESO A LA PANTALLA DE MENU PRINCIPAL**
Presione MENU.

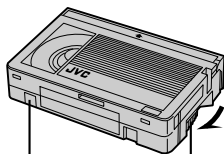
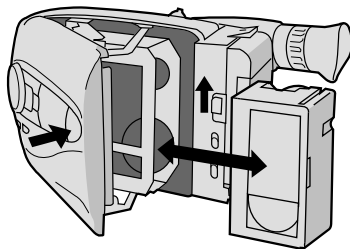
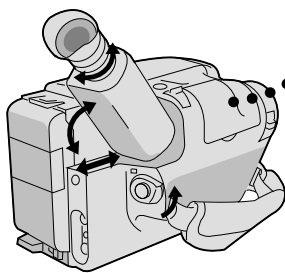
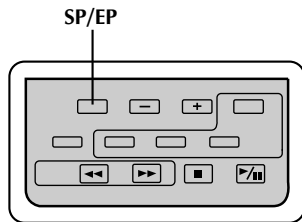
- 3 SELECCION DE FUNCION**
Presione + o - para mover la barra iluminada sobre "Tape Length".

- 4 AJUSTE DE LA LONGITUD DE LA CINTA**
Presione FAR o NEAR para circular por las opciones hasta que visualice el ajuste correcto (dependiente de la cinta utilizada). T20 = 20 minutos de grabación, T30 = 30 min. y T40 = 40 min. (al grabar en el modo SP)

- 5 CIERRE DEL MENU PRINCIPAL**
Presione MENU.

NOTA:

El tiempo restante de cinta (p. 16) indicado en el visor es correcto sólo si ha seleccionado la longitud de la cinta.



Protección
contra borrado

Rueda dentada

Girar para
eliminar la
distensión.

Ajuste del modo de grabación

1 El presionar **SP/EP** conmuta el ajuste entre SP (la reproducción estándar suministra una calidad más alta de imagen y sonido, recomendada para la copia), y EP (reproducción extendida, que es más económica, grabando a 1/3 de la velocidad de SP).

NOTA:

Si se conmuta el modo de grabación durante la grabación, la imagen reproducida será borrosa en el punto de conmutación.

Colocación y extracción de un cassette

1 ABERTURA DEL PORTACASSETTE

1 Deslice EJECT hasta que el portacassette se abra. No ejerza fuerza para abrirlo.

2 INSERCIÓN/EXTRACCIÓN DEL CASSETTE

2 Asegúrese de que la etiqueta esté apuntando hacia afuera.

3 CIERRE DEL PORTACASSETTE

3 Presione PUSH y asegúrese de que el portacassette quede cerrado y bloqueado.

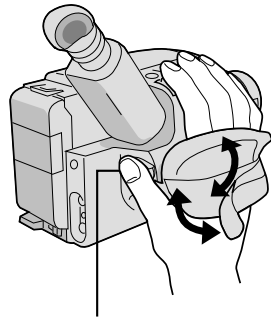
NOTAS:

- El portacassette no puede ser abierto a menos que la unidad de alimentación esté colocada.
- Asegúrese de que la cinta no está floja cuando coloca el cassette. Si está floja, gire el engranaje del cassette en la dirección de la flecha para tensionar la cinta.
- Asegúrese de que la lengüeta para protección contra borrado esté presente. De lo contrario cubra el orificio con cinta adhesiva. (Algunos cassettes poseen lengüetas deslizantes, en cuyo caso es necesario verificar las posiciones de las mismas).

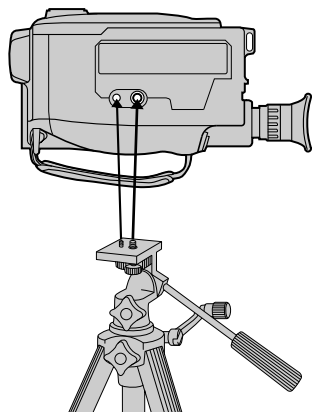
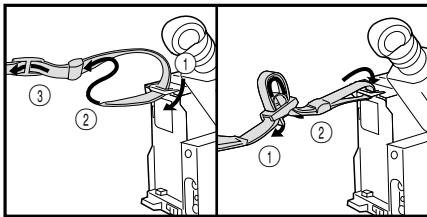


14_{ES}

PREPARATIVOS (cont.)



Botón para inicio/parada de grabación



Ajuste de la empuñadura

1 AGRANDAMIENTO DEL LAZO

1 Separe las cintas Velcro.

2

INSERCIÓN DE LA MANO

2 Pase la mano derecha a través del bucle y sujete la empuñadura.

3

AJUSTE DE LA LONGITUD DE LA CORREA

3 Ajústela de tal manera que el pulgar y los dedos puedan operar fácilmente el botón de inicio/parada de grabación y el interruptor del zoom motorizado. Recolecte la cinta Velcro.

Colocación de la correa para el hombro

1

COLOCACION DE LA CORREA

1 Siguiendo las indicaciones de la ilustración de la izquierda, enhebre la correa a través del ojal superior ①, luego dóblela y enhébrala en el sujetador ②, luego a través de la hebilla ③. Repita el procedimiento para colocar el otro extremo de la correa en el otro ojal, asegurándose de que la correa no quede retorcida.

2

AJUSTE DE LA LONGITUD

2 Ajústela como se muestra en la indicación de la izquierda ①, luego deslice ambos sujetadores firmemente contra los ojales para evitar deslizamientos ②.

Montaje del trípode

1

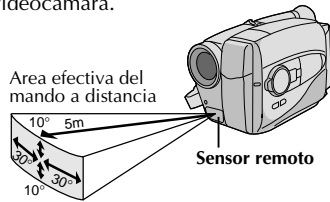
ALINEACION Y APRIETE

1 Alinee el tornillo y el perno de dirección de la cámara en el trípode con el receptáculo de montaje de la videocámara y el orificio del perno. Luego apriete el tornillo.

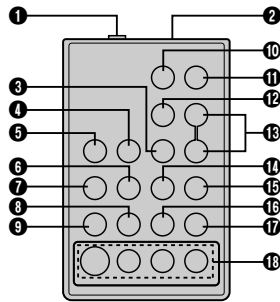


El mando a distancia RM-V706U

El mando a distancia RM-V706U puede operar esta videocámara a distancia y también las funciones básicas de una grabadora de video (reproducción, parada, pausa, avance rápido y rebobinado). El mando a distancia hace posible funciones adicionales de grabación. Para operar, apúntela hacia el sensor remoto de la videocámara.



Es posible que el rayo transmitido sea ineficaz o que se produzcan operaciones erróneas cuando el sensor remoto esté expuesta directamente a la luz solar o aluces intensas.



Inserción de la pila

EXTRACCION DEL PORTAPIILA

1 Retire el portapila al mismo tiempo que desliza el orificio de bloqueo.

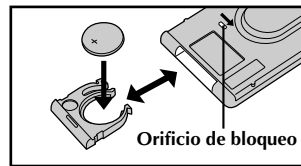
INSERCIÓN DE LA PILA

2 Coloque la pila de litio (CR2025)*, con su lado (+) hacia arriba, en el portapila.

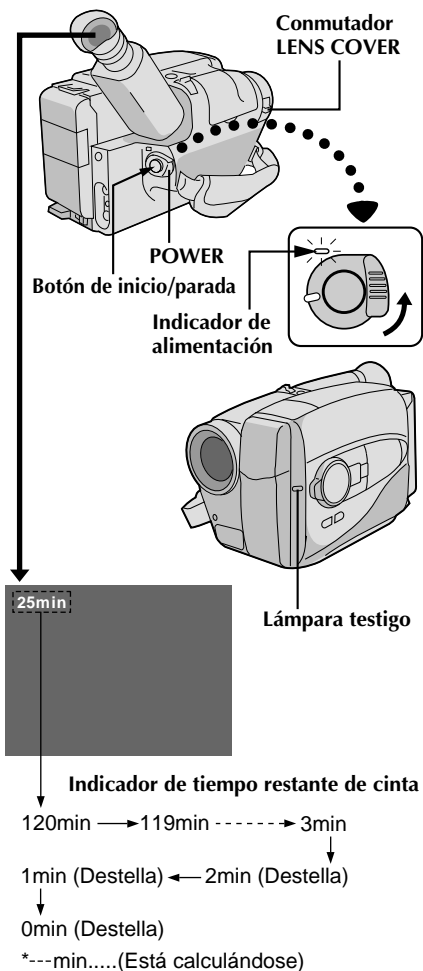
REEMPLAZO DEL PORTAPIILA

3 Vuelva a colocar el portapila en la dirección de la flecha hasta que se traben en su sitio.

*Lea "Precauciones sobre la pila de litio" en la página 2.



Botones	Funciones	
	Con el interruptor de alimentación de la videocámara colocado en "CAMERA".	Con el interruptor de alimentación de la videocámara colocado en "PLAY".
1 PAUSE IN (Conector de entrada de pausa)	—	(↪ p. 42)
2 Ventanilla de transmisión del rayo infrarrojo	Transmite el rayo de señales.	
3 MBR SET	—	(↪ p. 41)
4 INT. TIME	Disparador automático/lapso de tiempo (↪ p. 34, 35)	—
5 REC TIME	Animación/tiempo transcurrido (↪ p. 35)	—
6 FF	Retoma (Avance) (↪ p. 18)	Avance/búsqueda progresiva (↪ p. 38)
7 REW	Retoma (Rebobinado)/revisión rápida (↪ p. 17, 18)	Rebobinado/búsqueda reversible (↪ p. 38)
8 PAUSE	—	Pausa/reproducción (↪ p. 38)
9 PLAY	—	Inicio de reproducción (↪ p. 38)
10 Botón SNAPSHOT	Funciona igual que SNAPSHOT. Botón en la videocámara (↪ p. 21)	—
11 START/STOP	Funciona de la misma forma que el botón de inicio/parada de grabación de una videocámara.	—
12 VISS	Marcación de código índice (↪ p. 18)	—
13 ZOOM (T/W)	Alejamiento/acercamiento de la imagen (↪ p. 17)	—
14 VCR CTL	—	(↪ p. 41)
15 A. DUB	—	Copia de audio (↪ p. 45)
16 STOP	—	Parada (↪ p. 38)
17 INSERT	—	Edición por inserción (↪ p. 44)
18 R. A. EDIT	—	(↪ p. 42)

**NOTA:**

Usted primero debe haber efectuado los procedimientos listados abajo. De lo contrario efectúelos antes de continuar.

- Alimentación (☞ p. 8)
- Ajuste de la longitud de la cinta (☞ p. 12)
- Ajuste del modo de grabación (☞ p. 13)
- Ajuste de la empuñadura (☞ p. 14)

COLOCACION DEL CASSETTE

- 1** Deslice EJECT para abrir el portacassette, luego inserte el cassette con la etiqueta apuntando hacia afuera. Presione PUSH para asegurarse de que el portacassette esté cerrado y bloqueado.

ACTIVACION DEL MODO DE ESPERA DE GRABACION

- 2** Deslice el conmutador de apertura/cierre LENS COVER para abrir el cubreobjetivo y luego coloque el conmutador de alimentación en CAMERA.

- Se enciende el indicador de alimentación y la videocámara ingresa en el modo de espera de grabación.
- La escena a la que usted está apuntando aparece en la pantalla del visor con la palabra "PAUSE" superpuesta en la misma.

INICIO DE LA FILMACION

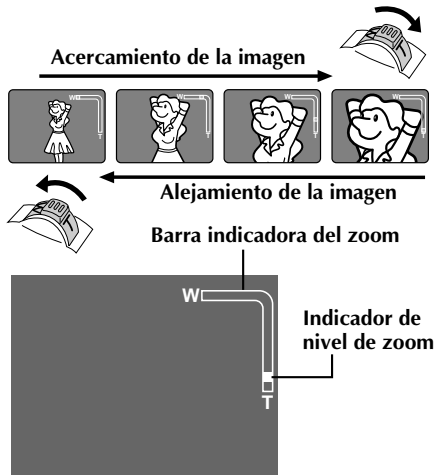
- 3** Presione el botón de inicio/parada de grabación.
- La lámpara testigo se enciende mientras la grabación está en progreso, y en el visor aparece "REC".
 - Si desea apagar la luz indicadora vea la página 31.

PARADA DE LA GRABACION

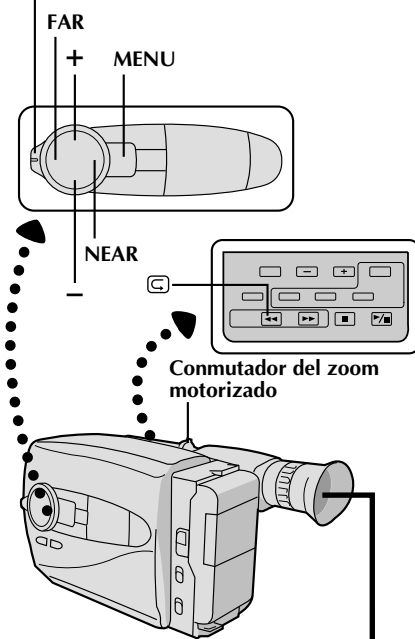
- 4** Presione otra vez el botón de inicio/parada de grabación.
- La videocámara vuelve a establecerse en el modo de espera de grabación.

NOTAS:

- El portacassette no puede ser abierto a menos que la unidad de alimentación esté colocada.
- Puede haber un retraso después que usted desliza EJECT hasta que se abre el portacassette. No lo fuerce.
- El tiempo restante de la cinta es indicado en el visor como se muestra.
- El tiempo restante indicado es aproximado.
- El tiempo requerido para calcular la longitud restante de la cinta y la precisión del cálculo pueden variar dependiendo del tipo de cinta utilizada.
- El tiempo restante de la cinta indicado en el visor es correcto sólo si ha seleccionado la longitud de la cinta (☞ p. 8).
- Cuando utilice una cinta de 60 minutos, el tiempo restante de la cinta indicado no será preciso.
- "TAPE END" aparece cuando la cinta llega al fin y la alimentación se desconecta automáticamente si se deja la unidad en esta condición durante 5 minutos. "TAPE END" también aparece cuando se coloca un cassette cuya cinta está en el fin.
- Si el modo de pausa de grabación continúa activado durante 5 minutos y no opera el zoom o cualquier otra función, la alimentación de la videocámara se desconecta automáticamente. Coloque el conmutador de alimentación en "POWER OFF" y vuelva a colocarlo en "CAMERA" para activar otra vez la videocámara.
- Si está grabando un cassette a partir de la mitad de éste, utilice la función RETAKE (☞ p. 18), para encontrar el fin de la última grabación que efectuó para no borrar nada de la misma.
- La advertencia del cubreobjetivo parpadea durante 8 segundos aproximadamente cuando se conecta la alimentación de la videocámara, independientemente de que el cubreobjetivo esté cerrado.



Selector del modo de filmación



Pantalla del menú principal

Shift Zoom	◆ 50x
Tele Macro	OFF
Gain Up	AGC
Color Filter	NOR.
Tape Length	T30
Title	
Date/Time	
Sub Menu	

FUNCION:
PROPOSITO:

Zoomado

Hacer que el zoom sobresalga o se retraiga o para cambio instantáneo de amplificación de imagen.

OPERACION:

Hiper zoom de 28 aumentos

El circuito digital duplica la amplificación máxima de 14 aumentos ofrecida por el zoom óptico.

- 1) Para acercar la imagen deslice el mando del zoom hacia "T".
- 2) Para alejar la imagen, deslice el mando del zoom hacia "W".

Cambio de zoom (Shift Zoom)

Por medio del procesamiento digital y la amplificación de imágenes es posible pasar del límite del zoom óptico que es 5 - 14 aumentos, a una amplificación máxima de 140 aumentos.

- 1) Coloque el selector de modo de filmación en "PRESET" y presione **MENU** para acceder a la pantalla del menú principal.
- 2) Presione + o - para mover la barra iluminada hacia "Shift Zoom".
- 3) Presione **FAR** o **NEAR** para ajustar la amplificación. "50 x" amplifica las imágenes a 3,6 veces el tamaño original y permite el zoomado entre los límites de 18 a 50 aumentos. "140 x" amplifica las imágenes en granangular a 10 veces aproximadamente el tamaño original permitiendo el zoomado de 50 a 140 aumentos. Para desactivar el cambio de zoom, colóquelo en "OFF".
- 4) Presione **MENU** para cerrar la pantalla del menú principal.

NOTAS:

- Durante la operación del hiper zoom, la velocidad aumenta más a medida que usted desliza el mando del zoom.
- El enfoque puede ser inestable durante el uso del hiper zoom. En este caso ajuste el zoom mientras el modo de pausa de grabación está activado, activando el enfoque manual o el bloqueo de enfoque (p. 20 y 21), para utilizar el zoom en el modo de grabación.
- El indicador (■) de nivel de zoomado sólo se mueve durante el zoomado óptico. Una vez que el indicador llega a "T", la amplificación desde ese punto se realiza a través de procesamiento digital.
- Durante el procesamiento de imagen digital la calidad de la imagen puede deteriorarse.

FUNCION:
PROPOSITO:

Revisión rápida

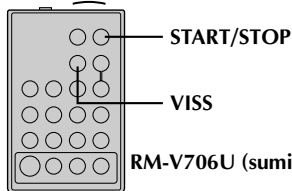
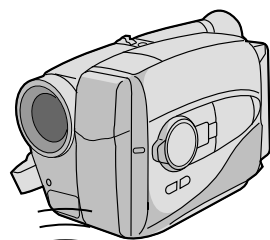
Para confirmar el fin de la última grabación.

OPERACION:

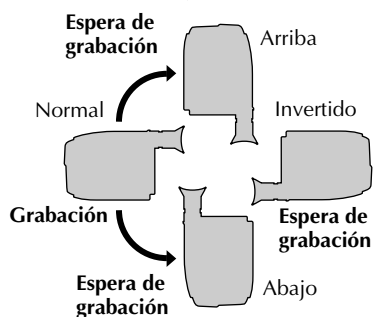
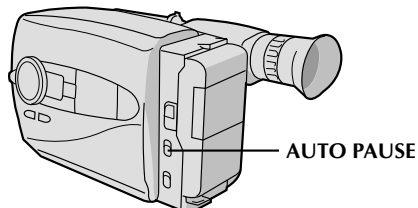
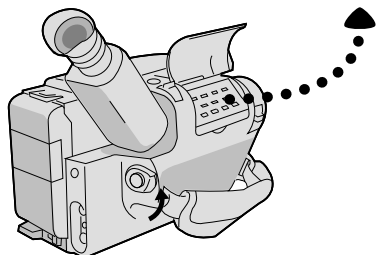
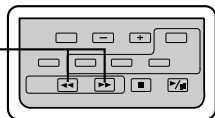
- 1) Presione "E" y suéltelo rápidamente durante la activación del modo de pausa de grabación.
 - La cinta es rebobinada durante 2 segundos aproximadamente y reproducida automáticamente, luego se detiene en el modo de pausa de grabación para la próxima filmación.

NOTA:

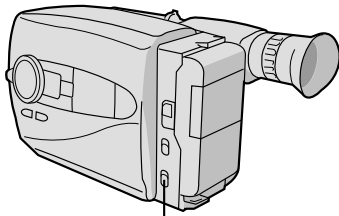
Es posible que haya distorsión al inicio de la reproducción, esto es normal.



RETAKE



FUNCION:	Marca con código de índice
PROPOSITO:	Para que usted tenga acceso automático a cualquier punto seleccionado de una grabación, la videocámara posee una función de marcado automático y manual.
OPERACION:	<i>Marcado automático</i> Después que coloca un cassette, la unidad marca un código de índice al inicio de la primera grabación, siempre que el conmutador de alimentación esté colocado en "CAMERA". <i>Marcado manual</i> 1) Presione VISS una vez para marcar el código de índice. INDEX parpadeará en el visor durante el marcado.
NOTA:	<i>Si se presiona VISS con el modo de pausa de grabación activado, la unidad coloca la marca en el punto dónde se presiona el botón de inicio/parada.</i>
FUNCION:	Retoma
PROPOSITO:	Para regrabar ciertos segmentos.
OPERACION:	1) Asegúrese de que la videocámara esté en el modo de pausa de grabación. 2) Presione cualquiera de los botones RETAKE para llegar al punto deseado para iniciar la nueva grabación. 3) Para iniciar la grabación presione inicio/parada de grabación.
NOTA:	<i>Es posible que haya interferencia durante la retoma, esto es normal.</i>
FUNCION:	Sistema de pausa automática
PROPOSITO:	Para detener automáticamente la grabación cuando la videocámara está apuntada hacia abajo, evitando las grabaciones accidentales del suelo, sus pies, etc.
OPERACION:	1) Coloque AUTO PAUSE en "ON". Cuando se inclina la videocámara hacia abajo, en gran ángulo con respecto a su posición horizontal durante la grabación, se activa automáticamente el modo de pausa de grabación. En el visor se visualiza "AUTO PAUSE".
NOTAS:	<ul style="list-style-type: none"> • El sistema de pausa automática también sirve cuando la videocámara está apuntada hacia arriba, o invertida. • El sistema de pausa automática también funciona cuando se gira la videocámara hacia izquierda o derecha un gran ángulo. • Cuando desee filmar en cualquiera de las posiciones anteriormente dichas, asegúrese de colocar AUTO PAUSE en "OFF".



LIGHT ON/AUTO/OFF

Luz de video

Cuando la luz natural sea demasiado tenue, usted puede iluminar la escena utilizando la luz incorporada en el videocámara.

1 AJUSTE DE LA LUZ DE VIDEO

Coloque **LIGHT ON/AUTO/OFF** como sea necesario.

ON : Mantiene encendida la luz mientras la videocámara está activada.

AUTO : Enciende la luz automáticamente cuando el sujeto está insuficientemente iluminado.

OFF : Apaga la luz.

- La luz de video puede ser utilizada solo cuando está conectada la alimentación de la videocámara.
- Se recomienda colocar el balance de blanco en el modo de interiores (☀) (☞ p. 23) cuando utiliza la luz de video.
- Cuando no usa la luz de video, apáguela para ahorrar la energía de la batería.

NOTAS:

- Aún cuando no aparezca la indicación de advertencia de la batería (☹) en el visor, si la carga de la batería está baja, la videocámara se puede apagar automáticamente cuando usted enciende la luz de video, o cuando inicia la grabación con la luz de video encendida.
- Cuando **LIGHT ON/AUTO/OFF** está colocada en "AUTO":
 - Dependiendo de las condiciones de iluminación, la luz de video puede apagarse y encenderse inestablemente, en este caso, encienda o apague la luz manualmente.
 - Cuando está activado el modo de deportes u obturación con alta velocidad, (☞ p. 27), la luz puede permanecer encendida.
 - Cuando el modo atardecer (☞ p. 27) está activado, la luz no se encenderá.

PELIGRO

- La luz de video y la lámpara se calientan muchísimo. No la toque mientras está encendida ni inmediatamente después de apagarla para evitar quemaduras graves.
- No coloque la videocámara en el estuche inmediatamente después de utilizar la luz de video ya que ésta está extremadamente caliente.
- Cuando utilice esta luz, mantenga una distancia de unos 30 cm. entre ésta y la gente u objetos.
- No la utilice cerca de materiales inflamables o explosivos.
- Para reemplazar la luz de video le recomendamos que consulte con su agente de JVC más cercano.



20_{ES}

GRABACION Funciones avanzadas

Inserción de fecha y hora

Esta función le permite visualizar la fecha, la hora y los caracteres en el visor y en un televisor conectado.

NOTA:

Usted debe haber efectuado el procedimiento de ajuste de fecha/hora (p. 11). Si no lo ha realizado, efectúelo antes de continuar.

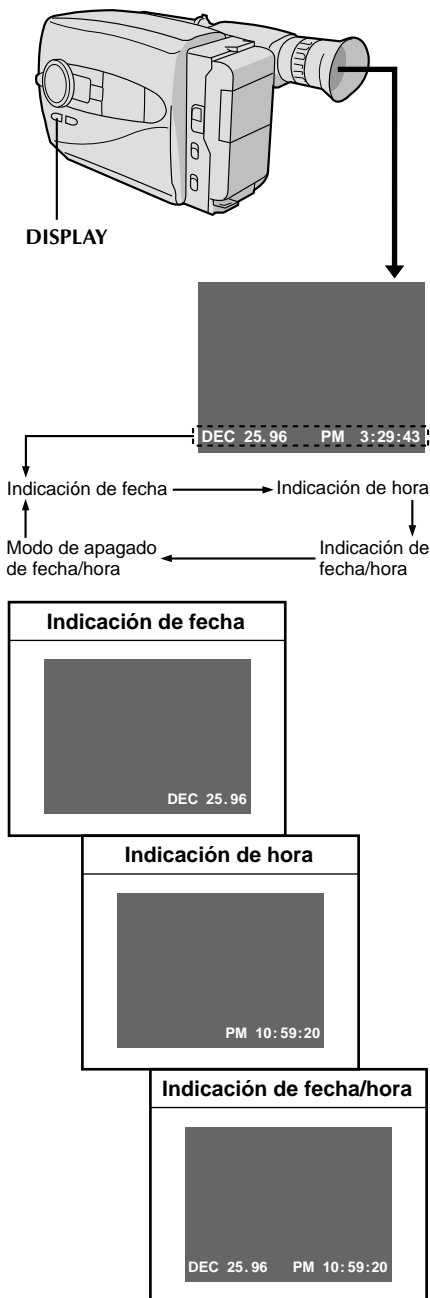
INDICACION

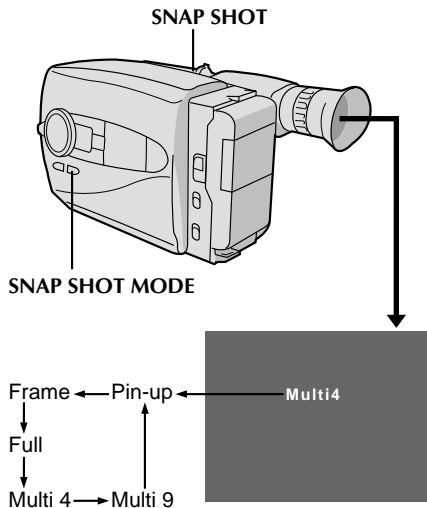
SELECCION DEL MODO DE INDICACION

1 Presione **DISPLAY** mientras está con la pausa de grabación activada para circular por los modos disponibles como se muestra en la ilustración a la izquierda.

NOTAS:

- La indicación seleccionada puede ser grabada.
- Si no desea grabar la indicación, seleccione el modo de fecha desactivada antes de filmar.
- Si desea borrar la indicación durante la filmación, presione **DISPLAY**.
- Si usted desea llamar otra vez la indicación borrada, active el modo de pausa de grabación y después presione **DISPLAY** para seleccionar el modo de indicación deseado.





Pin-up (Enmarcado)
Esta es una imagen fija en un fondo azul. La imagen está enmarcada en blanco con un efecto de sombra que le da un aspecto más tridimensional.

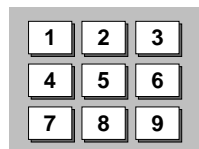
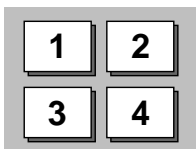


Frame (Marco)
La cámara graba una imagen fija con un marco blanco.



Full (Completo)
La imagen fija es grabada ocupando todo el campo de visual.

**Analizador múltiple de 4 imágenes (Multi 4)/
analizador múltiple de 9 imágenes (Multi 9)**



Graba múltiples imágenes en una escena (4 o 9 cada vez). Las imágenes aparecen y son almacenadas en el orden siguiente: 1, 2, 3, 4 (5, 6, 7, 8, 9 para el analizador múltiple de 9 imágenes). En el modo motorizado y después que la cámara graba la "9" imagen, la próxima imagen a ser grabada es la "1", y el ciclo se repite.

Fotografiado

Esta interesante función le permite grabar varios tipos de imágenes digitales fijas que lucen y suenan como fotografías. Es una conveniente forma de condimentar la filmación de eventos tales como fiestas, casamientos y ceremonias de graduación.

SELECCION DEL MODO DE FOTOGRAFIADO

- 1 Presione **SNAP SHOT MODE** para circular por los modos como se muestra en la ilustración a la izquierda. Al visualizar el modo deseado, el mismo es seleccionado y activado, apareciendo la indicación correspondiente en un lapso de 2 segundos.

GRABACION DE FOTOGRAFIAS

- 2 Presione **SNAP SHOT**.
Si lo presiona durante la grabación ...
... Aparecerá una imagen fija que será grabada en el modo seleccionado, luego la videocámara continúa con la grabación normal. En los modos completo y de marco, la nueva imagen aparece gradualmente. En los modos de enmarcado y de analizador múltiple la nueva imagen aparece gradualmente desde el centro.

- Si lo presiona durante la pausa de grabación ...*
... Aparecerá una imagen fija que será grabada en el modo seleccionado y después la videocámara vuelve al modo de pausa de grabación.

Función motorizada

SELECCION DEL MODO DE FOTOGRAFIADO

- 1 Selecciónelo como se indica en el paso 1 arriba.

ACTIVACION DEL MOTOR

- 2 Durante la grabación de fotografías, mantenga presionado **SNAP SHOT**. Usted podrá tomar una serie de fotografías rápidas a intervalos de 0,7 segundos aproximadamente entre las imágenes fijas.

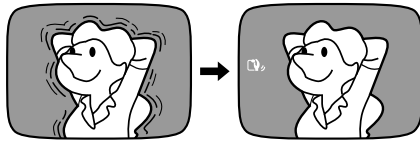
NOTAS:

- La indicación de fecha/hora desaparecerá durante la grabación de fotografías.
- La función motorizada no puede ser activada utilizando el botón **SNAP SHOT** en el mando a distancia RM-V706U suministrado.
- Cuando activa el analizador múltiple, el sonido de obturación puede no concordar con la aparición de las imágenes.



22_{ES}

GRABACION Funciones avanzadas (cont.)



Estabilizador de imagen digital

Esta función compensa la inestabilidad de la imagen causada por los movimientos de la cámara, particularmente notables con grandes ampliaciones.

ACTIVACION DEL ESTABILIZADOR DE IMAGEN DIGITAL

1 Presione **D.I.STABILIZER**. "D.I.S." aparece en el visor.

• Para desactivar el estabilizador de imagen digital, presione otra vez **D.I.STABILIZER**. La indicación desaparece.

NOTAS:

- La estabilización precisa puede no ser posible si el movimiento de la mano es excesivo, o en los siguientes casos:
 - Cuando filma sujetos con rayas verticales u horizontales
 - Cuando filma sujetos oscuros o poco iluminados.
 - Cuando los sujetos filmados tienen mucha iluminación por detrás.
 - Cuando las escenas filmadas se mueven en diferentes direcciones.
 - Cuando las escenas filmadas tienen fondos con poco contraste.
- Cuando se activa la función de obturación lenta (p. 27), el estabilizador de imagen digital (DIS) no puede ser usado. Si usted intenta activar esta función mientras el D.I.S. está activado, "D.I.S." parpadea indicándole que el D.I.S. ha sido desactivado.
- Desactive D.I.STABILIZER cuando graba con la cámara montada en un trípode.

Control de exposición

Esta función ajusta automáticamente el iris para obtener la mejor calidad disponible de imagen, pero usted puede desactivarla y efectuar el ajuste manualmente.

SELECCION DEL MODO DE FILMACION

1 Coloque el selector de modo de filmación en "PRESET".

ILUMINACION DE LA IMAGEN

2 Presione + (+0.6 máximo). En el visor aparecerá el indicador de nivel de exposición.

O . . .

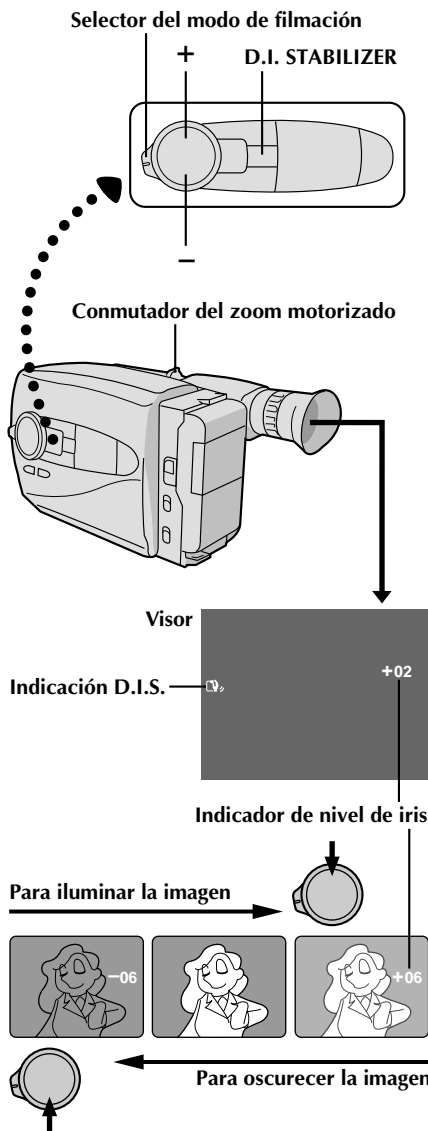
OSCURECIMIENTO DE LA IMAGEN

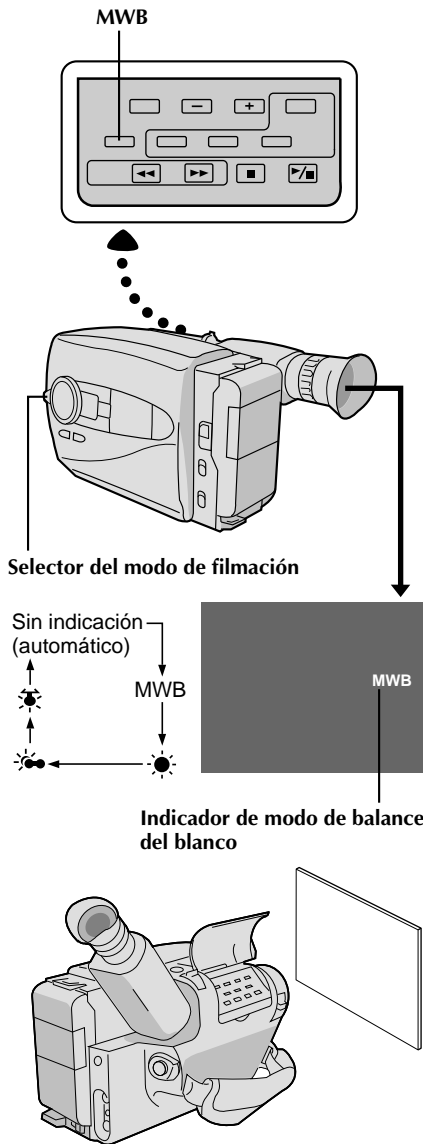
Presione - (-0.6 máximo). En el visor aparecerá el indicador de nivel de exposición.

Cuando usted desee volver al ajuste de fábrica ...

VUELTA AL AJUSTE INICIAL

3 Presione + y - simultáneamente. El ajuste de fábrica quedará inmediatamente activado y aparecerá el indicador de exposición.





Ajuste del balance del blanco

El sistema sensor automático de temperatura de color de la videocámara capta la temperatura del color de la iluminación ambiente para el ajuste automático del balance del blanco. Sin embargo, el ajuste preciso del color no es posible en las siguientes condiciones:

- Cuando un objeto tiene varios tonos del mismo color.
- Cuando un objeto predominantemente rojo o marrón es filmado al aire libre.

En estos casos utilice los filtros de preajuste incorporados en la videocámara para el ajuste del balance del blanco.

SELECCION DEL MODO DE FILMACION

- 1 Coloque el selector de modo de filmación en "PRESET".

SELECCION DEL MODO

- 2 Presione **MWB** (balance manual del blanco) hasta que la indicación deseada aparezca en el visor.

"MWB" Con un ajuste personal memorizado del balance del blanco (Vea abajo.)

"☀️" Al aire libre en un día soleado

"☁️" Al aire libre en un día nublado

"💡" La fuente de luz es una lámpara halógena o de tungsteno

MWB ajusta la temperatura del color de la fuente de iluminación del sujeto para que usted pueda filmar colores naturales que no son afectados por el medio ambiente, aunque haya múltiples sujetos con diferentes temperaturas de color.

SELECCION DEL MODO DE FILMACION

- 1 Coloque el selector de modo de filmación en "PRESET".

AJUSTE DEL ENFOQUE

- 2 Apunte la videocámara a un objeto plano y blanco tal como una hoja de papel blanco y ajuste el enfoque manualmente (☞ p. 25).

AJUSTE DEL BALANCE DEL BLANCO

- 3 Presione **MWB** hasta que "MWB" aparezca, luego mantenga presionado **MWB** durante más de 3 segundos.

- "MWB" parpadea en el visor durante el ajuste, luego para de parpadear y cuando se termina el ajuste permanece encendida.

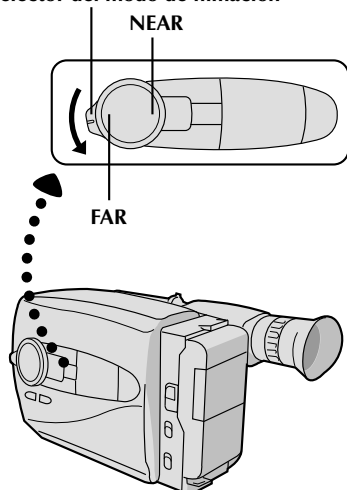
NOTAS:

- Para conmutar al ajuste de balance automático del blanco, presione **MWB** hasta que desaparezca la indicación, o gire el selector de modo de filmación a "FULL AUTO".
- Es útil conectar su videocámara a un monitor a color cuando ajusta el balance del blanco ("CONEXIONES BASICAS" ☞ p. 37).
- Cuando ajusta la escena colocando un papel coloreado frente al sujeto en el paso 2 ("AJUSTE DEL ENFOQUE"), esta unidad hace su temperatura de color normal para el balance automático del blanco. De esta manera usted podrá disfrutar de la filmación con diferentes colores. Por ejemplo, cuando la ajusta en rojo, azul o amarillo, la imagen se vuelve de un color aproximado al verde, naranja o morado respectivamente.



Zona de detección del enfoque

Selector del modo de filmación

**NOTAS:**

- Si el objetivo está manchado o sucio, el enfoque correcto es imposible. Mantenga el objetivo limpio limpiándolo con un trozo de paño suave si se ensucia. Cuando haya condensación, límpielo con un paño suave o espere a que se seque naturalmente.
- Cuando filma un sujeto cercano al objetivo, primero retraiga el zoom (☞ p. 17). Si extiende el zoom en el modo de enfoque automático, la videocámara podrá retraer el zoom automáticamente dependiendo de la distancia entre la videocámara y el sujeto.
* Cuando se activa "Tele Macro" el zoom enfoca automáticamente una toma granangular.

Enfoque**Enfoque automático**

El sistema de enfoque automático de gama completa de la videocámara ofrece capacidad para filmar continuamente desde primer plano a infinito. Sin embargo, el enfoque correcto puede no ser posible en las situaciones listadas abajo (en cuyo caso es necesario utilizar el enfoque manual):

- Cuando hay dos sujetos superpuestos en la misma escena.
- Cuando la iluminación es insuficiente.*
- Cuando el sujeto no está contrastado (diferencia en brillo y oscuridad), tales como una pared plana de un sólo color o un cielo azul despejado.*
- Cuando un objeto oscuro es apenas visible en el visor.*
- Cuando la escena contiene detalles diminutos o detalles idénticos que se repiten regularmente.
- Cuando la escena es afectada por los rayos solares o por la luz que se refleja en un cuerpo de agua.
- Cuando filma una escena con un fondo que tiene alto contraste.

* La advertencia de poco contraste "▲▲" aparece en el visor.

Bloqueo de enfoque

Esta función bloquea el enfoque en su lugar, siendo especialmente útil en las siguientes situaciones:

- Cuando hay objetos que pasan entre el sujeto y la videocámara. Active la función de bloqueo de enfoque para bloquear al sujeto antes de grabarlo.
- Cuando desea enfocar al sujeto, y que éste aparezca en una esquina de la pantalla, primero centre el sujeto y enfóquelo utilizando el modo de enfoque automático. Luego active la función de bloqueo de enfoque y mueva la videocámara hasta que el sujeto quede ubicado en el lugar deseado.

SELECCION DEL MODO DE FILMACION

- 1 Coloque el selector de modo de filmación en "PRESET".

BLOQUEO DE ENFOQUE

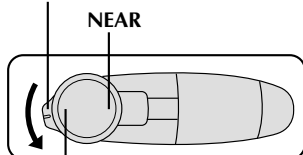
- 2 Presione **FAR** o **NEAR**. En el visor aparecerá la indicación de bloqueo de enfoque "▲▲".

DESACTIVACION DEL BLOQUEO DE ENFOQUE

- 3 Presione **FAR** o **NEAR** simultáneamente. La indicación de bloqueo de enfoque desaparece.

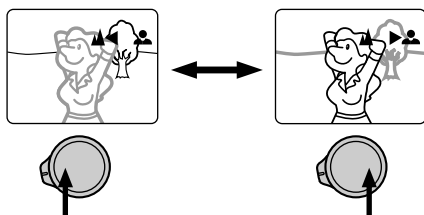
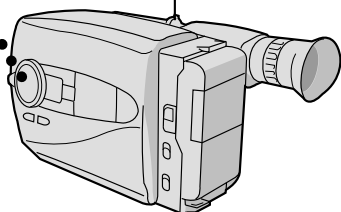


Selector del modo de filmación



FAR

Conmutador del zoom motorizado



Enfoque manual

NOTA:

Usted debe haber efectuado los ajustes necesarios del visor (☞ p. 10). Si no los ha realizado, efectúelos antes de continuar.

1 SELECCION DEL MODO DE FILMACION

1 Coloque el selector de modo de filmación en "PRESET".

2 AJUSTE DEL ENFOQUE

☐ PARA UN SUJETO LEJANO

2 Mantenga presionado **FAR**. Aparecen las indicaciones "▲◀ ▶" de enfoque manual y la indicación "◀" parpadea.

Vaya al paso 3.

☐ PARA UN SUJETO CERCANO

Mantenga presionado **NEAR**. Aparecen las indicaciones "▶ ▲▶" de enfoque manual y la indicación "▶" parpadea.

Vaya al paso 3.

3 BLOQUEO DE ENFOQUE

3 Sulte **FAR** o **NEAR**. La indicación de enfoque es reemplazada por la indicación "▲▶" de bloqueo de enfoque y el enfoque ajustado queda bloqueado.

4 DESACTIVACION DEL MODO DE ENFOQUE MANUAL

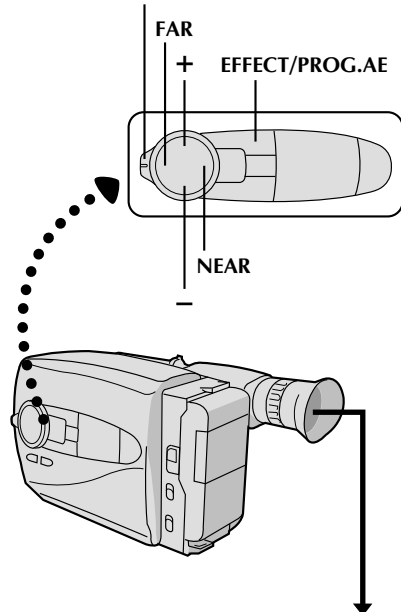
4 Presione **FAR** y **NEAR** simultáneamente. El modo de enfoque manual se desactiva inmediatamente y desaparece la indicación de bloqueo de enfoque.

NOTAS:

- Asegúrese de enfocar el objetivo en la posición de extensión máxima cuando utilice el modo de enfoque manual. Si usted enfoca un sujeto en posición gran angular, no será posible obtener imágenes bien contrastadas cuando retrae el zoom ya que la profundidad de campo se reduce a mayor longitud focal.
- Cuando el nivel de enfoque no puede ser ajustado a más lejos o más cerca, parpadeará "▲" o "▶".



Selector del modo de filmación



OFF	
1	<input type="checkbox"/> Cinema
2	<input checked="" type="checkbox"/> Sepia
3	<input type="checkbox"/> Twilight
4	<input type="checkbox"/> Sports
5	<input type="checkbox"/> Hi.S 1/2000
6	<input type="checkbox"/> Classic Film
7	<input type="checkbox"/> Strobe
8	<input type="checkbox"/> Slow Shutter

Menú de efectos



Indicación EFFECT/PROG.AE

Programa AE con efectos especiales

Es útil para que las imágenes luzcan creativas y atractivas. Los efectos pueden ser seleccionados durante la grabación así como también en el modo de pausa de grabación.

SELECCION DEL MODO DE FILMACION

1 Coloque el selector de modo de grabación en "FULL AUTO" o en "PRESET".

Si lo colocó en "FULL AUTO"...

.... Sólo es posible activar el modo de cine.

Si lo colocó en "PRESET"...

.... Usted puede seleccionar cualquiera de los 8 efectos disponibles.

SELECCION DEL EFECTO

2 *Si lo ajustó en "FULL AUTO"...*

.... El presionar **EFFECT/PROG.AE** activa y desactiva el modo de cine.

Si lo ajustó en "PRESET"...

.... El presionar **EFFECT/PROG.AE** llama el menú de efectos. Presiónelo otra vez para mover la barra iluminada hasta el efecto deseado. Una vez que decida el efecto a utilizar, el mismo es seleccionado y activado, apareciendo el indicador correspondiente antes de 2 segundos.

• Si usted inició el procedimiento en el modo de pausa de grabación, presione el botón de inicio/parada de grabación para comenzar la grabación en este punto.

DESACTIVACION DEL EFECTO

3 *Cuando coloca el selector de modo de filmación en "FULL AUTO"...*

.... Presione **EFFECT/PROG.AE**.

Cuando lo coloca en "PRESET"...

.... Presione **EFFECT/PROG.AE** para llamar el menú de efectos, y presiónelo otra vez para mover la barra a "OFF".

NOTA:

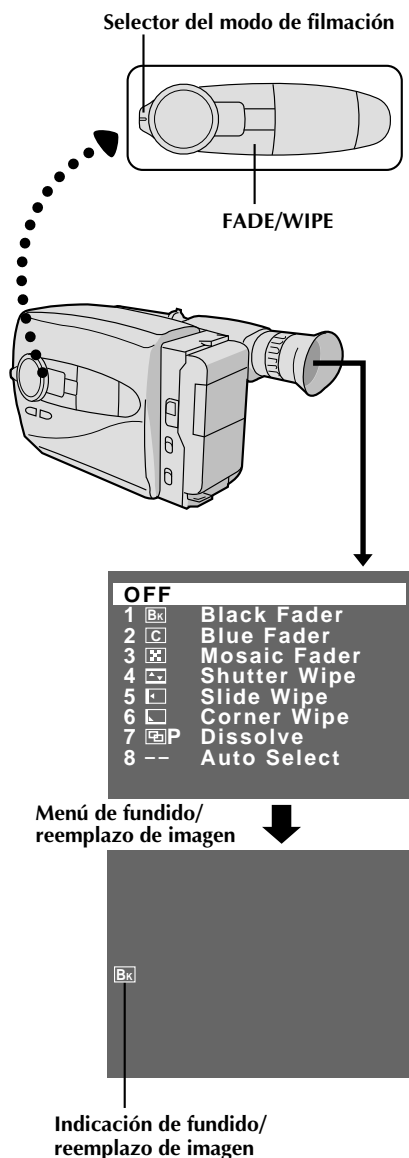
Si el cambio de zoom (p. 17) está colocado en "50x" o en "140x", no será posible utilizar los efectos del programa AE.



INDICACION	MODO	EFECTO
	CINEMA (CINE)	Coloca barras negras en la parte superior e inferior de la pantalla produciendo un efecto de cine tipo "pantalla ancha de 16:9".
	SEPIA (SEPIA)	La imagen aparece en tono sepia (marrón rojizo), monocromático, creando una apariencia de fotografía vieja.
	TWILIGHT (ATARDECER)	Hace que las escenas del atardecer y nocturnas, etc. luzcan más naturales y dramáticas. El balance del blanco está colocado en "☀️". Presione MWB si desea cambiar el ajuste.
	SPORTS (DEPORTES)	Ajusta automáticamente la alta velocidad de obturación (1/250 a 1/500), para capturar claramente la acción rápida con más nitidez. La nitidez es especialmente notable durante la reproducción en cámara lenta o de imagen fija en un VCR. Magnífico para deportes, carreras, etc.
	HI-SPEED SHUTTER (OBTURACION DE ALTA VELOCIDAD) (1/2000)	Captura escenas más rápidas que el efecto de deportes.
	CLASSIC FILM (PELICULA CLASICA)	El efecto estroboscópico en las imágenes produce el efecto "parpadeante" de las películas clásicas y agrega barras negras en la parte superior e inferior de la pantalla tal como en una pantalla ancha.
	STROBE (ESTROBO- SCOPICO)	Congela las imágenes en rápida sucesión.
	SLOW SHUTTER (OBTURACION LENTA)	Ajusta la velocidad de obturación en 1/15 s. y aumenta la sensibilidad de tal manera que la cámara de video puede filmar casi en la oscuridad total. <ul style="list-style-type: none">• Utilícelo sólo en lugares oscuros.• La imagen parpadea como bajo una luz estroboscópica rápida.

NOTAS:

- Cuando se activan los modos sepia o de película clásica, el presionar MWB (balance del blanco), no tiene efecto.
- Cuando se activa la obturación de lenta, el enfoque automático puede no funcionar correctamente.
- Cuando se activa la obturación lenta es posible que aparezcan puntos brillantes en la pantalla. Esto no es una falla de la videocámara.
- Ciertos efectos no pueden ser utilizados conjuntamente con otras funciones. Cuando se selecciona un efecto no puede ser utilizado en la situación presente, la indicación del mismo parpadea.



Fundido/reemplazo de imagen

Estos efectos le permiten hacer transiciones de escena estilo profesional.

1 SELECCION DEL MODO DE FILMACION

Coloque el selector del modo de filmación en "FULL AUTO" o en "PRESET".

Si lo colocó en "FULL AUTO"...

.... Sólo el modo de fundido en negro está disponible.

Si lo colocó en "PRESET"...

.... Usted puede seleccionar cualquiera de los efectos disponibles.

2 RESERVA DEL EFECTO

Si lo colocó en "FULL AUTO"...

.... El presionar FADE/WIPE activa y desactiva el modo de fundido en negro.

Si lo colocó en "PRESET"...

.... El presionar FADE/WIPE llama el menú de fundidos/reemplazo de imagen. Presiónelo otra vez para mover la barra iluminada hasta el efecto deseado. Al seleccionar y reservar el efecto, el mismo se activa y el indicador aparece antes de 2 segundos.

3 INICIO DE LA GRABACION

Presione el botón de inicio/parada de grabación para iniciar la misma y activar la aparición de imagen por fundido o reemplazo.

O . . .

FIN DE LA GRABACION

Presione el botón de inicio/parada de grabación para pararla y activar la desaparición de imagen por fundido o reemplazo.

4 DESACTIVACION DEL EFECTO

Si inició la grabación con el selector del modo de filmación colocado en "FULL AUTO"...

.... Presione FADE/WIPE.

Si inició la grabación con el selector en "PRESET"...

.... Presione FADE/WIPE para llamar el menú de fundidos/reemplazo de imagen y presiónelo otra vez para mover la barra iluminada a "OFF".

NOTAS:

- Si el cambio de zoom (p. 17) está colocado en "50x" o en "140x", no será posible utilizar los fundidos o reemplazos de imagen.
- Cuando coloca el selector de modo de filmación en "FULL AUTO", después de la aparición de imagen por fundido, el fundido en negro dejará de estar reservado. Para reservarlo para la desaparición de imagen por fundido, presione FADE/WIPE para llamar al visor la indicación "[Bk]".



BLACK FADER (fundido en negro)

La imagen aparece/desaparece en una pantalla negra.



BLUE FADER (fundido en azul)

La imagen aparece/desaparece en una pantalla azul.



MOSAIC FADER (fundido en mosaico)

La imagen aparece/desaparece gradualmente en/ desde un efecto de mosaico.



SHUTTER WIPE (reemplazo de imagen tipo persiana)

La pantalla negra se mueve hacia el centro de la imagen desde la parte superior e inferior de la misma, tal como una persiana, o una nueva imagen abre verticalmente una pantalla negra desde el centro. *Con el modo de selección automática activado, la imagen nueva reemplaza la imagen anterior, no la pantalla negra.



SLIDE WIPE (reemplazo de imagen deslizante)

Una pantalla negra se parece desde la izquierda cubriendo gradualmente la imagen, o una nueva imagen aparece de derecha a izquierda. *Con el modo de selección automática activado, la imagen nueva reemplaza la imagen anterior, no la pantalla negra.



CORNER WIPE (reemplazo de imagen desde una esquina)

Una pantalla negra aparece desde la esquina inferior izquierda y llena gradualmente la pantalla, o una nueva imagen aparece desde la esquina superior derecha y llena la pantalla negra. *Con el modo de selección automática activado, la imagen nueva reemplaza la imagen anterior, no la pantalla negra.



DISSOLVE (disolución)

- 1 Presione el botón de inicio/parada de grabación. — Se iniciará la grabación.
- 2 Presione otra vez el botón de inicio/parada de grabación. — Para la grabación y se activa el modo de pausa de grabación. — Ahora la última escena es almacenada en memoria.

↓ Antes de desconectar la alimentación...

- 3 Presione el botón de inicio/parada de grabación para continuar la grabación. — La escena almacenada es gradualmente reemplazada por la nueva escena que está siendo filmada.

SCROLL WIPE (reemplazo de imagen por movimiento vertical) (AUTO SELECT exclusivamente)

La nueva imagen se mueve verticalmente sobre la pantalla.

WINDOW WIPE (reemplazo de imagen tipo ventana) (AUTO SELECT exclusivamente)

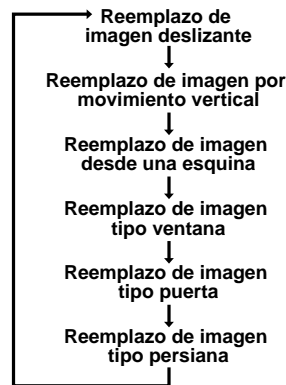
La nueva imagen aparece desde el centro y se mueve hacia las esquinas de la pantalla.

DOOR WIPE (reemplazo de imagen tipo puerta) (AUTO SELECT exclusivamente)

Una nueva imagen se abre como una puerta sobre la pantalla.

— **AUTO SELECT (selección automática)**

Presione el botón de inicio/parada de grabación para iniciar o terminar la grabación y para generar los 6 reemplazo de imagen automáticamente, en el orden mostrado a continuación:



- 1 Presione el botón de inicio/parada de grabación. — Se inicia la grabación.
- 2 Presione otra vez el botón de inicio/parada de grabación. — Para la grabación y se activa el modo de pausa de grabación. — Ahora la última escena es almacenada en memoria.

↓ Antes de desconectar la alimentación...

- 3 Presione el botón de inicio/parada de grabación para continuar la grabación. — La escena almacenada es gradualmente reemplazada por la nueva escena que está siendo filmada. — Repita los pasos 2 y 3 como desee.

NOTAS (para disolución y selección automática):

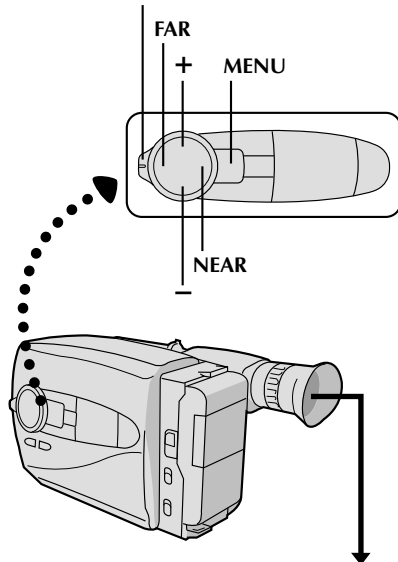
- El desconectar la alimentación de la videocámara borrará la escena almacenada en memoria. Cuando la escena se borra de la memoria, el símbolo correspondiente parpadea.
- El sonido de la última escena grabada no es almacenado en memoria.
- Esta indicación de modo parpadea a menos que haya una imagen almacenada en memoria. En este caso filme primero una escena.



30_{ES}

GRABACION Funciones avanzadas (cont.)

Selector del modo de filmación

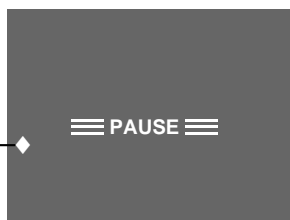


Shift Zoom	OFF
Tele Macro	OFF
Gain Up	AGC
Color Filter	NOR.
Tape Length	T30
Title	
Date/Time	
Sub Menu	

Pantalla del menú principal

Tally	ON
Interval Timer	OFF
Rec Time	OFF
JLIP ID NO.	07

Pantalla del menú auxiliar



Si ha cambiado cualquiera de los ajustes de fábrica en el menú principal, aparecerá esta indicación en el visor.

Uso del menú para ajuste fino

Esta videocámara está equipada con un control de funciones múltiples fácil de usar, con un sistema de menú en pantalla que simplifica muchos de los ajustes más finos de la videocámara.

- 1 SELECCION DEL MODO DE FILMACION**
Coloque el selector de modo de filmación en "PRESET".
- 2 ACCESO A LA PANTALLA DEL MENU PRINCIPAL**
Presione MENU.
- 3 SELECCION DE LA FUNCION**
Presione + o - para colocar la barra iluminada sobre la función deseada.
- 4 AJUSTE**
El procedimiento de ajuste depende de la función que seleccione.
Si usted selecciona "Shift Zoom", "Tele Macro", "Gain Up", "Color Filter" o "Tape Length" . . .
..... Presione FAR o NEAR para circular a través de las opciones hasta que visualice el ajuste deseado. Luego vaya al paso 8.
Si usted selecciona "Title" o "Date/Time" . . .
..... Presione NEAR para acceder al menú de selección de cada función (Título - [p. 32; fecha/hora - [p. 11).
Si usted seleccionó "Sub Menú" . . .
..... Presione NEAR para llamar en pantalla el menú auxiliar. Vaya al paso 5.
- 5 SELECCION DE FUNCION EN EL MENU AUXILIAR**
Presione + o - para colocar la barra iluminada sobre la opción deseada, y después presione NEAR. El ítem seleccionado empieza a parpadear.
- 6 CAMBIO DE AJUSTES**
Presione + o - para cambiar el ajuste indicado de la función seleccionada y después presione FAR para ingresar su selección. El ítem seleccionado deja de parpadear.
- 7 CIERRE DEL MENU**
Presione FAR para completar el ajuste. La pantalla de menú auxiliar desaparece y reaparece la pantalla del menú principal.
• Para ir directamente a la pantalla normal sin pasar por la pantalla del menú principal, presione MENU.
- 8 CIERRE DEL MENU PRINCIPAL**
Presione MENU. Reaparecerá la pantalla normal.

**MENU PRINCIPAL**

Shift Zoom	OFF	Desactiva la función de cambio de zoom.
	◆ 50x	Amplifica las imágenes granangular 3,6 veces aproximadamente el tamaño original y activa el zoomado dentro de los límites de 18 a 50 aumentos.
	◆ 140x	Amplifica las imágenes granangular 10 veces aproximadamente el tamaño original y permite el zoomado dentro de los 50 a 140 aumentos.
Tele Macro	OFF	Usualmente colocado en este ajuste.
	◆ ON	Usualmente la distancia al sujeto dónde el objetivo está enfocado depende de la amplificación del zoom. A menos que haya una distancia mayor a 1 m hasta el sujeto, el objetivo queda desenfocado en el ajuste telefoto máximo. Cuando lo coloca en "ON" puede filmar un sujeto tan grande como posible a una distancia de 60 cm. <ul style="list-style-type: none"> • Dependiendo de la posición del zoom, el objetivo puede quedar desenfocado.
Gain UP	AGC	Le permite grabar un sujeto en un lugar oscuro. Produce una imagen más brillante ligeramente basta.
	◆ A _∞	(Obturación lenta automática) Combina AGC con velocidad de obturación electrónica (1/30 a 1/60), posibilitando una filmación en lugares más oscuros. Cuando filme en lugares con insuficiente iluminación o cuando filme un sujeto oscuro bajo luz mortecina, la unidad activará automáticamente el modo de obturación lenta automática, reduciendo la velocidad de obturación a 1/30 s. Aunque la imagen resultante sea similar a la obtenida utilizando el efecto estroboscópico (☞ p. 27), será más nítida y tendrá menos interferencia.
	◆ OFF	Le permite filmar escenas oscuras sin ajuste de brillo de imagen.
Color Filter	NOR.	Para filmación normal sin ajuste de color.
	◆ RED	Hace que la grabación tenga un tinte rojizo.
	◆ BLUE	Hace que la grabación tenga un tinte azulado.
Tape Length	Le permite ajustar la longitud de la cinta dependiendo de la cinta usada (☞ p. 12).	
Title	Le permite superponer un título preprogramado sobre una escena (☞ p. 32).	
Date/Time	Le permite ajustar la fecha y hora actuales (☞ p. 11).	

 = Ajuste en fábrica

MENU AUXILIAR

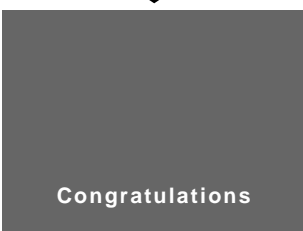
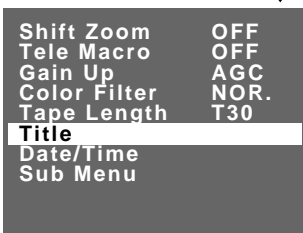
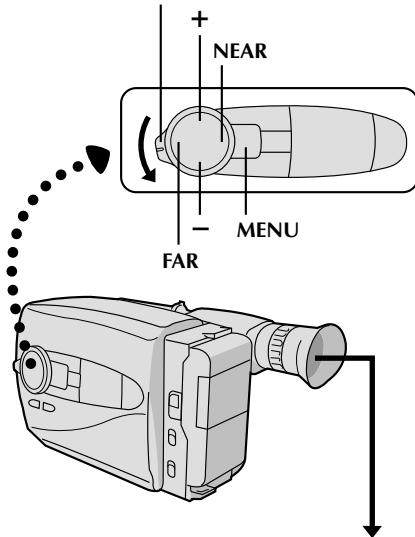
Tally	ON	La lámpara testigo se enciende indicando el inicio de la grabación.
	OFF	La lámpara testigo permanece apagada.
Interval Timer/ Rec. Time	Estas funciones le permiten ajustar los parámetros para el disparador automático (☞ p. 34), animación y grabación con lapso de tiempo (☞ p. 35).	
JLIP ID NO.	Este número será necesario en el futuro cuando se conecte la videocámara a un computador utilizando el terminal JLIP. Los números van de 01 a 99.	

NOTAS:

- Cuando coloca el conmutador **LIGHT ON/AUTO/OFF** de la luz de video en "ON" o en "AUTO", se desactiva la obturación lenta automática.
- Cuando activa la obturación lenta automática, el enfoque automático puede no funcionar correctamente.



Selector del modo de filmación



Títulos instantáneos

Usted puede superponer sobre una escena uno de los 8 títulos preprogramados o un título confeccionado por usted mismo.

SELECCION DEL MODO DE FILMACION

1 Coloque el selector de modo de filmación en "PRESET".

ACCESO A LA PANTALLA DEL MENU PRINCIPAL

2 Presione MENU.

ACCESO A LA PANTALLA DE MENU DE TITULOS INSTANTANEOS

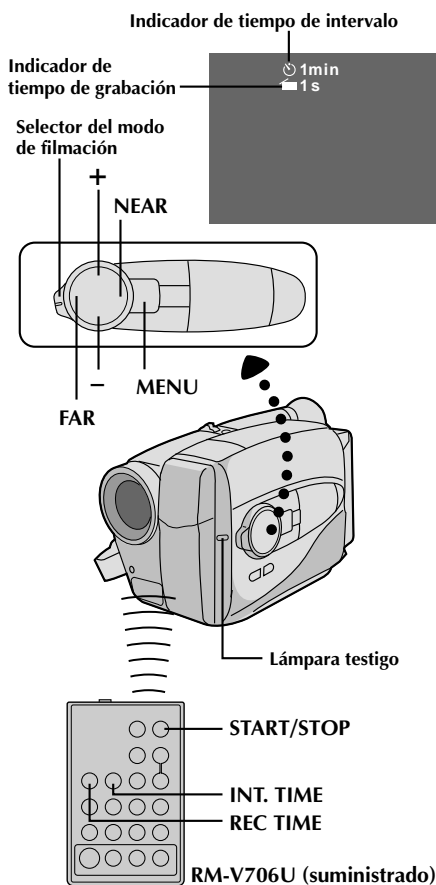
3 Presione + o - para mover la barra iluminada sobre "Title" y después presione NEAR. Aparecerá el menú de títulos.

SELECCION DEL TITULO PREPROGRAMADO

4 Presione + o - para mover la barra iluminada sobre el título deseado. (Para crear un título original, refiérase a la página 33).

LLAMADA DEL TITULO PREPROGRAMADO

5 Presione MENU. Desaparecerá el menú de títulos y el título seleccionado aparece en la pantalla.



Shift Zoom	OFF
Tele Macro	OFF
Gain Up	AGC
Color Filter	NOR.
Tape Length	T30
Title	
Date/Time	
Sub Menu	

Pantalla del menú principal ↓

Tally	ON
Interval Timer	OFF
Rec Time	OFF
JLIP ID NO.	07

Pantalla del menú auxiliar

Disparador automático

Usted puede ajustar el retraso entre la pulsación de inicio/parada de grabación y el momento de inicio de la grabación. Si se fija la videocámara, el operador de la misma podrá entrar en la escena antes de que se inicie la grabación.

1 ACTIVACION DEL MODO DE PAUSA DE GRABACION

Asegúrese que el cubreobjetivo esté abierto y coloque el conmutador de alimentación en "CAMERA".

2 SELECCION DEL MODO

Coloque el selector de modo de filmación en "PRESET".

3 ACCESO A LA PANTALLA DEL MENU PRINCIPAL

Presione MENU.

4 ACCESO A LA PANTALLA DEL MENU AUXILIAR

Presione - para mover la barra iluminada hacia abajo hasta "Sub Menú" y después presione NEAR.

5 AJUSTE DEL TIEMPO DE INTERVALO

Presione - para mover la barra iluminada hacia abajo hasta "Interval Timer", presione NEAR y después presione + para circular a través de las opciones. Pare cuando visualice el tiempo deseado. Seleccione "15S", "30S", "1 min", "5 min" o la desactivación "OFF" de la selección. Luego presione FAR dos veces para volver a la pantalla del menú principal.

6 CIERRE DEL MENU PRINCIPAL

Presione MENU.

7 INICIO DE LA GRABACION RETARDADA

Presione el botón de inicio/parada de grabación. Si usted coloca la luz indicadora en "ON" (p. 31), comenzará a parpadear y la frecuencia de parpadeo aumentará 5 segundos antes de que se inicie la grabación. Una vez que se inicia la grabación, la luz deja de parpadear y permanece encendida.

Para desactivar el temporizador automático . . .

..... Presione el botón de inicio/parada de grabación mientras la lámpara testigo está parpadeando, para que deje de parpadear y coloque "Interval Timer" en "OFF" o presione INT. TIME en el mando a distancia para que desaparezca "☺".

..... Coloque "Interval Timer" en "OFF" o presione INT. TIME en el mando a distancia mientras la lámpara testigo está encendida constantemente, para que desaparezca la indicación "☺".

NOTA:

En lugar de efectuar los pasos de 2 a 6 ajuste el intervalo de tiempo presionando INT. TIME en el mando a distancia.



Animación

Para darle una ilusión de movimiento a las escenas u objetos fijos. Esta función le permite filmar una serie de escenas, cada una levemente diferente, del mismo objeto durante un breve período.

1 ACTIVACION DEL MODO DE PAUSA DE GRABACION

Asegúrese de que el cubreobjetivo esté abierto y coloque el interruptor de alimentación en CAMERA.

2 AJUSTE DE LA VELOCIDAD DE GRABACION

Coloque **SP/EP** en SP (☞ p. 13).

3 AJUSTE DEL TIEMPO DE GRABACION

Presione **REC TIME** en el mando a distancia. Hay a su disposición cuatro opciones y las mismas aparecen en el orden siguiente cada vez que presiona **REC TIME**: 1/4S (un cuarto de segundo), 1/2S (medio segundo), 1S (un segundo) y 5S (cinco segundos). Presione otra vez para desactivar el modo de animación.

- Usted también puede ajustar el tiempo de grabación en la pantalla de menú auxiliar (☞ p. 34). Presione “-” para mover la barra iluminada hacia abajo asta “**Rec Time**”, presione **NEAR** y presione + o - para circular por las opciones. Luego presione **MENU**.

4 INICIO DE LA GRABACION

Presione inicio/parada de grabación después de enfocar el sujeto. La grabación para automáticamente después de transcurrido el tiempo seleccionado.


5 ENSAMBLADO DE UN CONJUNTO DE IMAGENES

Repita los pasos 3 y 4 para obtener el número deseado de imágenes.

6 INSPECCION DEL TRABAJO

Reproduzca una serie de imágenes para comprobar que los resultados sean satisfactorios.

7 DESACTIVACION DEL MODO DE ANIMACION

Presione **REC TIME** hasta que la indicación “” desaparezca del visor, o coloque “**Rec Time**” en “OFF” en la pantalla de menú auxiliar.

NOTAS:

- Para obtener los mejores resultados asegúrese que la videocámara esté fija cuando filma en los modos de animación o lapso de tiempo.
- La aparición/desaparición gradual de la imagen por fundido no puede ser ejecutada durante la filmación con animación o lapso de tiempo.
- Antes de efectuar otras operaciones después de animación o grabación por lapso de tiempo, asegúrese de desactivar estos modos.

Lapso de tiempo

Usted puede grabar secuencialmente a lapsos de tiempo preajustados. Dejando la videocámara apuntada a un sujeto específico usted puede grabar los cambios más leves durante un período extenso.

1 ACTIVACION DEL MODO DE PAUSA DE GRABACION

Asegúrese de que el cubreobjetivo esté abierto y coloque el interruptor de alimentación en CAMERA.

2 AJUSTE DE LA VELOCIDAD DE GRABACION

Coloque **SP/EP** en SP (☞ p. 13).

3 AJUSTE DEL TIEMPO DE GRABACION

Presione **REC TIME** en el mando a distancia. Hay tres opciones disponibles y ellas aparecen en el siguiente orden cada vez que presiona **REC TIME**: 1/4S, 1/2S, 1S y 5S. Presiónelo otra vez para repositonarlo.

- Usted también puede ajustar el tiempo de grabación en la pantalla de menú auxiliar. Presione “-” para mover la barra iluminada hacia abajo asta “**Rec Time**”, presione **NEAR** y presione + o - para circular por las opciones.

4 AJUSTE DEL INTERVALO ENTRE GRABACIONES


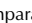

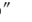
Presione **INT. TIME** en el mando a distancia. Hay cinco opciones disponibles y las mismas aparecen en el orden siguiente cada vez que presiona **INT. TIME**: OFF, 15S, 30S, 1MIN y 5MIN. Presiónelo otra vez para repositonarlo.

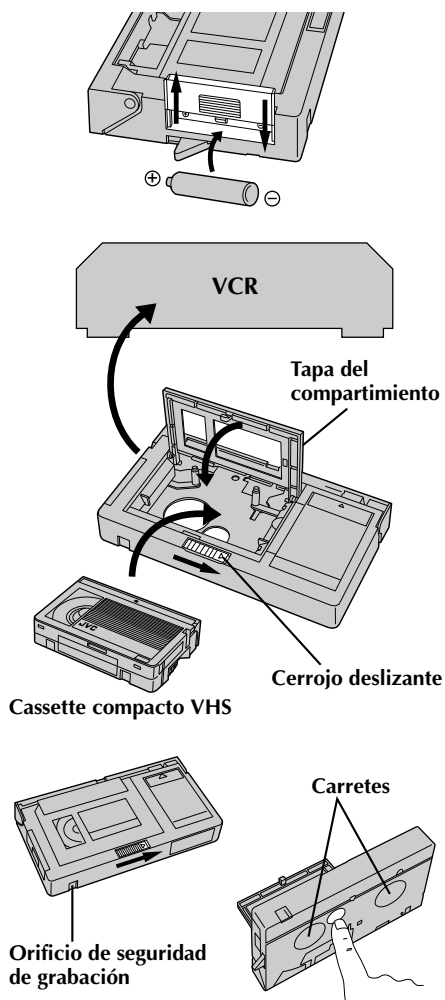
- Usted también puede ajustar el intervalo de tiempo en la pantalla del menú auxiliar. Presione “-” para mover la barra iluminada hacia abajo hasta “**Interval Timer**”, presione **NEAR** y presione + o - para circular por las opciones.
- El control de exposición (☞ p. 22), el enfoque manual (☞ p. 25) y los ajustes D.I.S. (☞ p. 22) deben ser efectuados en este punto. Una vez que usted realiza el punto 5, estos ajustes no pueden ser cambiados.

5 INICIO DE LA GRABACION POR LAPSO DE TIEMPO

Presione inicio/parada de grabación. La grabación y los intervalos de parada se alternarán automáticamente.

6 DESACTIVACION DEL MODO DE LAPSO DE TIEMPO

Para desactivarlo cuando la lámpara testigo no está parpadeando, presione **INT. TIME** y **REC TIME** repetidamente hasta que las indicaciones “” y “” desaparezcan. Para apagar la lámpara testigo cuando está parpadeando, presione el botón de inicio/parada de grabación para detener el parpadeo y presione **INT. TIME** y **REC TIME** repetidamente hasta que las indicaciones “” y “” desaparezcan, o coloque “**Interval Timer**” y “**Rec Time**” en “OFF” en la pantalla de menú auxiliar.



Adaptador de cassette (VHS PlayPak)

Utilícelo para reproducir cassettes de video VHS-C grabados con esta videocámara. El mismo es compatible con cualquier grabadora de cassette de video VHS. El adaptador C-P7U está alimentado por una pila y efectúa automáticamente la colocación y extracción de la cinta.

1 INSERCIÓN DE LA PILA

Deslice la cubierta de la pila para extraerla y coloque una pila tamaño "AA (R6)" como se muestra en la ilustración de la izquierda. Luego recolocó la cubierta.

2 INSERCIÓN DE UN CASSETTE EN EL ADAPTADOR

Deslice el cerrojo para abrir la tapa del compartimiento del adaptador, luego inserte un cassette y cierre la tapa del compartimiento.

3 REPRODUCCIÓN EN EL VCR CONECTADO

Coloque el adaptador de cassette dentro del VCR y reproduzca la cinta normalmente.

4 EXTRACCIÓN DEL ADAPTADOR DE CASSETTE

Deslice el cerrojo y se abrirá automáticamente la tapa del compartimiento. Luego inserte el dedo en el orificio ubicado debajo del adaptador como se muestra en la ilustración de la izquierda, empuje hacia arriba y extraiga el cassette.

NOTAS:

- Durante la colocación y extracción del cassette no toque los carretes por seguridad y para proteger la cinta.
- Durante la reproducción con efectos especiales (cámara lenta, imagen fija, etc.) quizá vibre la imagen o aparezcan barras de ruido en la pantalla.
- Para grabar en un VCR utilizando un cassette compacto, y el adaptador, cubra el orificio de seguridad de grabación del adaptador con cinta adhesiva.

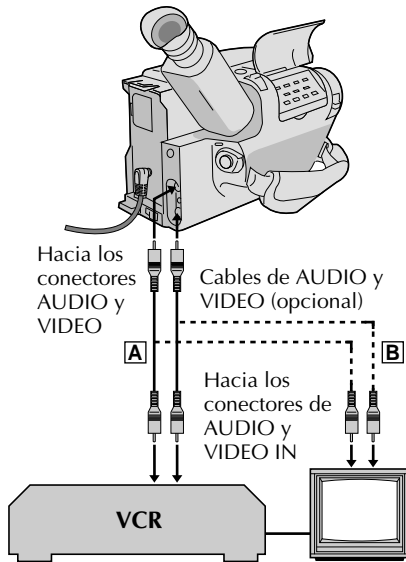


Hay tres tipos de conexiones básicas. Para efectuar las conexiones refiérase también a los manuales de instrucción de su VCR y TV.

Conexión con un VCR [A] (Edición, copia y reproducción)

NOTA:

Utilice los cables opcionales de audio y video.



1 CONEXION DE LA VIDEOCAMARA A UN VCR

Conecte los cables opcionales de video y audio como se muestra en la ilustración a la izquierda, entre los conectores de AUDIO y VIDEO de la videocámara y los del VCR.

2 CONEXION DE LA ALIMENTACION

Conecte la alimentación de la videocámara del VCR y del TV.

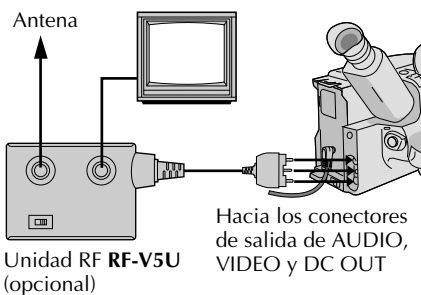
3 SELECCION DEL MODO

Ajuste el VCR en el modo de entrada AUX y ajuste el TV en el modo de VIDEO o en el canal 3.

Conexión con un TV con conectores [B] de entrada de A/V (Reproducción EXCLUSIVAMENTE)

NOTA:

Utilice los cables opcionales de audio y video.



1 CONEXION DE LA VIDEOCAMARA A UN TV

Conecte los cables opcionales de audio y video, como se muestra en la ilustración a la izquierda, entre los conectores de AUDIO y VIDEO de la videocámara y los del TV.

2 SELECCION DEL MODO

Ajuste el TV en el modo de VIDEO o AV (como se especifica en las instrucciones del mismo).

Conexión a un TV SIN conectores de entrada de A/V (Reproducción EXCLUSIVAMENTE)

NOTA:

Utilice la unidad opcional RF-V5U.

* Refiérase al manual de instrucción del RF-V5U para el procedimiento de conexión.

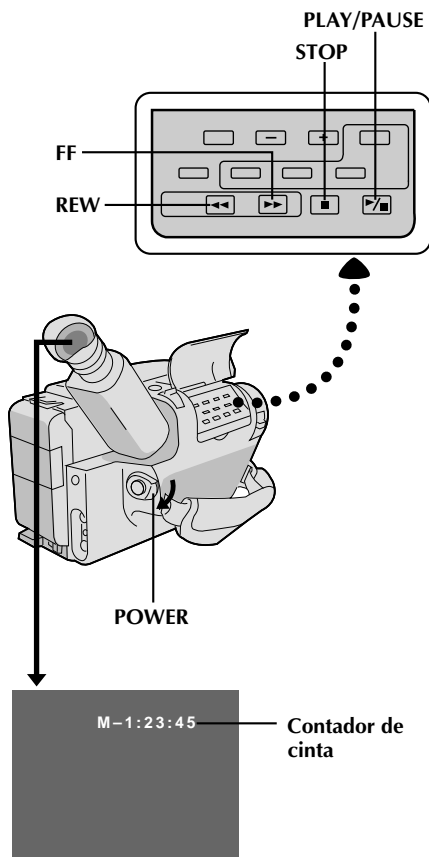
NOTAS:

- Se recomienda utilizar el adaptador/ cargador de alimentación de CA en lugar del paquete de pilas.
- Para monitorizar la imagen y el sonido provenientes de una videocámara sin insertar un cassette, coloque el conmutador de alimentación de la videocámara en CAMERA. A continuación, coloque su TV en el modo apropiado de entrada.
- Si usted posee un TV o altavoces que no están especialmente blindados, no coloque los altavoces junto al TV ya que producirá interferencia en la imagen reproducida por la videocámara.



38_{ES}

REPRODUCCION Reproducción básica



NOTA:

Asegúrese de conectar su videocámara como se indica en "CONEXIONES BASICAS" (p. 37).

1 COLOCACION DE UN CASSETTE

Colóquelo de la misma forma que para el procedimiento de grabación.

2 SELECCION DEL MODO

Coloque el conmutador de alimentación en "PLAY". Se encenderá el indicador de alimentación conectada.

3 REPRODUCCION

Presione **PLAY/PAUSE**. La imagen reproducida aparece en el visor y en el TV conectado.

4 PARADA DE REPRODUCCION

Presione **STOP**.

Rebobine o avance rápidamente la cinta

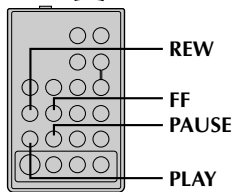
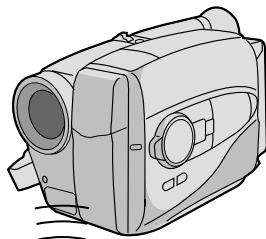
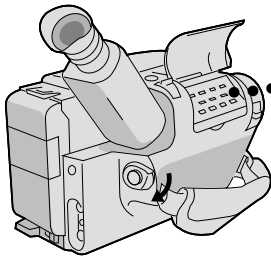
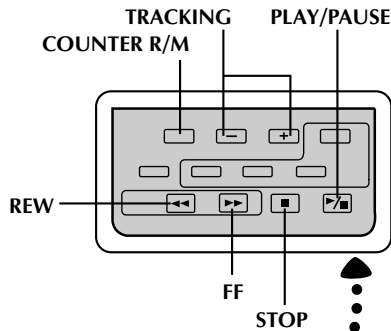
Con el modo de parada activado, presione **REW** para rebobinar o **FF** para avanzar rápidamente la cinta.

NOTA:

La videocámara se desconecta automáticamente después de transcurridos 5 minutos aproximadamente con el modo de parada activado. Para activarla otra vez, coloque el conmutador de alimentación en **POWER OFF** y a continuación en **PLAY**.

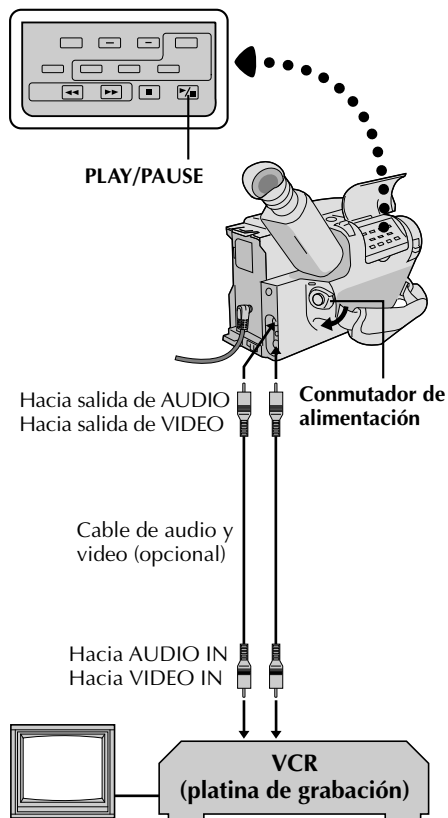


REPRODUCCION Funciones



RM-V706U (suministrado)

FUNCION:	Seguimiento manual
PROPOSITO:	Para eliminar las barras de interferencia que aparecen en la pantalla.
OPERACION:	1) Presione cualquiera de los botones TRACKING tantas veces como sea necesario para obtener la mejor imagen.
NOTAS:	<ul style="list-style-type: none"> • Para reposicionar TRACKING ajuste original, presione simultáneamente ambos botones TRACKING. • El seguimiento manual puede no funcionar con cintas grabadas en otros VCR o videocámaras.
FUNCION:	Reproducción de imagen fija
PROPOSITO:	Para hacer una pausa durante la reproducción.
OPERACION:	1) Presione PLAY/PAUSE durante la reproducción. 2) Para reanudar la reproducción normal, presione otra vez PLAY/PAUSE .
NOTA:	Aparecerán barras de interferencia y las imágenes pueden ser monocromáticas durante la reproducción de imagen fija. Esto es normal.
FUNCION:	Búsqueda rápida
PROPOSITO:	Para permitirle la búsqueda a alta velocidad en cualquier sentido.
OPERACION:	Búsqueda hacia adelante 1) Presione FF durante la reproducción. (La velocidad es 5 veces superior a la normal en SP y 15 veces a la normal en el modo EP.) Búsqueda hacia atrás 1) Presione REW durante la reproducción. (La velocidad es como se indica arriba.)
NOTA:	Aparecerán barras de interferencia y las imágenes pueden ser monocromáticas durante la búsqueda rápida. Esto es normal.
FUNCION:	Función de memoria de contador
PROPOSITO:	Para facilitar la localización de segmentos específicos de la cinta.
OPERACION:	1) Presione COUNTER R/M y manténgalo presionado durante más de 2 segundos. El contador se reposicionará a "0:00:00". 2) Presione COUNTER R/M . Aparecerá "M". 3) Después de grabar o reproducir, presione STOP y después REW . La cinta para automáticamente en o cerca de 0:00:00. 4) Para iniciar la reproducción presione PLAY/PAUSE .
NOTAS:	<ul style="list-style-type: none"> • La memoria del contador funciona en los modos FF y REW. • Para desactivar la función de memoria del contador presione COUNTER R/M para que "M" desaparezca.



Copia de cintas

1 CONEXION DEL EQUIPAMIENTO

Conecte la videocámara y el VCR basándose en la ilustración a la izquierda.

2 PREPARATIVOS PARA LA COPIA

Coloque el conmutador de alimentación de la videocámara en PLAY, conecte la alimentación del VCR e inserte los cassettes apropiados en la videocámara y en el VCR.

3 SELECCION DEL MODO DEL VCR

Active los modos AUX y pausa de grabación del VCR.

4 BUSQUEDA DEL PUNTO PARA EDICION POR INSERCIÓN

Active el modo de reproducción de la videocámara para encontrar el punto inmediato previo al punto de edición por inserción. Una vez que lo encuentra, presione **PAUSE** en la videocámara.

5 INICIO DE LA EDICION

Presione **PLAY** en la videocámara y active el modo de grabación del VCR.

6 PARADA TEMPORAL DE EDICION

Active el modo de pausa de grabación del VCR y presione **PAUSE** en la videocámara.

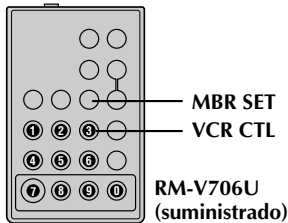
7 EDICION DE SEGMENTOS ADICIONALES

Repita los pasos de 4 a 6 para edición adicional y al terminar detenga el VCR y la videocámara.

Edición de conjuntos aleatorios [Edición R.A.]

Utilizando su videocámara como reproductor fuente usted puede crear fácilmente videos editados. Es posible seleccionar un máximo de 8 "cortes" para edición automática en cualquier orden que desee. La edición R.A. se realiza más fácilmente cuando se instala un MBR (mando a distancia para múltiples marcas) RM-V706U, para operar su marca de VCR (vea la tabla en la próxima página), pero también puede ser realizada operando el VCR manualmente.

CONTINUA EN LA PROXIMA PAGINA



LISTA DE CODIGOS DEL VCR

NOMBRE DE LA MARCA VCR	BOTONES (A) (B)	NOMBRE DE LA MARCA VCR	BOTONES (A) (B)
GE	1 1	PHILIPS	1 2
	9 2		3 3
	9 0		
HITACHI	6 6	PANASONIC	1 3
	6 3		1 7
			1 1
JVC A B C	9 1	RCA	9 4
	9 6		1 3
	9 3		6 6
MAGNAVOX	9 5	SANYO	6 3
	1 1		9 0
	7 1		3 6
MITSUBISHI	7 6	SHARP	3 5
	6 7		1 5
	6 8		1 0
NEC	3 7	SONY	6 5
	3 8		6 0
PHILIPS	1 9		TOSHIBA
	9 5	3 1	
	1 1	6 9	
	9 4	6 1	
	9 1	ZENITH	1 6
9 6			

NOTAS:

- Si la alimentación del VCR no queda conectada en el paso 1, intente otro código de la tabla.
- Algunas marcas de VCR no conectan la alimentación automáticamente. En este caso, conecte manualmente la alimentación e intente el paso 2.
- Si el RM-V706U no es capaz de controlar el VCR, utilice los controles del VCR.

AJUSTE EL CODIGO REMOTO/VCR

AJUSTE DEL MANDO A DISTANCIA PARA OPERAR EL VCR

1 Desconecte la alimentación del VCR y apunte el mando a distancia hacia el sensor infrarrojo del VCR. Luego, refiriéndose a la tabla de la izquierda, mantenga presionado **MBR SET** y presione el botón (A), después el (B).

- El código queda automáticamente ajustado una vez que usted suelta el botón **MBR SET** y se conecta la alimentación del VCR.

OPERACION DEL VCR

2 Asegúrese de que la alimentación del VCR esté conectada. Luego mantenga presionado **VCR CTL**, y presione el botón correspondiente a la función deseada en el mando a distancia. Las funciones que el mando a distancia puede operar son: PLAY, STOP, PAUSE, FF, REW y VCR REC STBY (no es necesario presionar **VCR CTL** para esta última).

Ahora usted está listo para intentar la edición de conjuntos aleatorios.

IMPORTANTE:

Aunque el MBR es compatible con los VCR de JVC, y con los de otros muchos fabricantes, puede no funcionar con el suyo o puede ofrecer funciones limitadas.

EFFECTUE LAS CONEXIONES

CONECTE A . . .

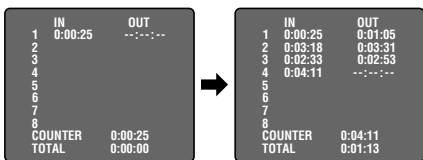
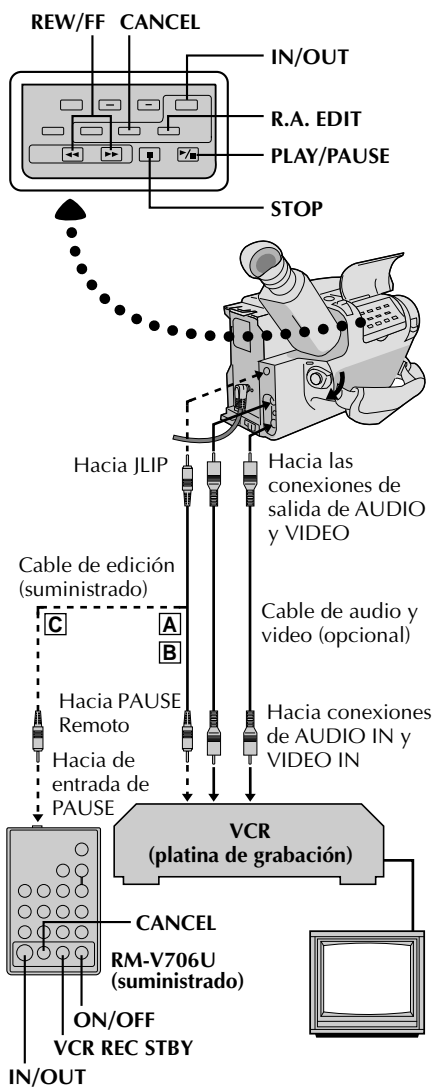
- 1** **A UN VCR DE JVC QUE ESTA EQUIPADO CON TERMINAL REMOTO DE PAUSA**
Conecte el cable para edición al terminal PAUSE remoto.
- B UN VCR DE JVC QUE NO ESTA EQUIPADO CON TERMINAL REMOTO DE PAUSA**
Conecte el cable para edición al terminal R.A. EDIT.
- C A UN VCR QUE NO ES DE JVC Y QUE NO POSEE NINGUNO DE LOS DOS TERMINALES**
Conecte el cable para edición al jack PAUSE IN del RM-V706U.

Todas las otras conexiones están mostradas en la ilustración de la página 42.

PREPARE LA VIDEOCAMARA

2 Inserte una cinta grabada y coloque el conmutador de alimentación en PLAY.

CONTINUA EN LA PROXIMA PAGINA



PREPARACION DEL VCR

- 3 Conecte la alimentación, inserte una cinta para grabar y active el modo AUX (refiérase a las instrucciones del VCR).

SELECCIONE LAS ESCENAS

ACCESO A LA INDICACION DEL CONTADOR R.A. EDIT

- 1 Presione **PLAY/PAUSE**, después presione **R.A. EDIT** y aparecerá la indicación del contador en el visor y en la pantalla del TV conectado.

REGISTRO DEL PRINCIPIO DE LA ESCENA

- 2 Presione **REW** o **FF** para ubicar el principio de la escena que desee, luego presione **IN/OUT** para registrar ese punto. Los datos aparecen bajo IN en la indicación.

REGISTRO DEL FIN DE LA ESCENA

- 3 Presione **REW** o **FF** para ubicar el fin de la escena y presione **IN/OUT** para registrarlo. Los datos aparecen debajo de OUT en la indicación. El tiempo total de la escena/s registradas es indicado en la parte inferior de la pantalla.

REGISTRO DE ESCENAS ADICIONALES

- 4 Repita los pasos 2 y 3 para cada escena adicional (8 máximo).

CORRECCIONES

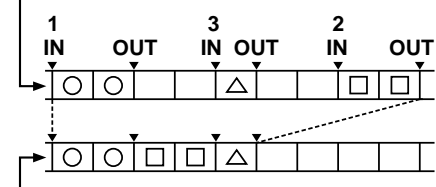
- 5 Presione **CANCEL** durante los pasos 2 y 3 para borrar el punto registrado más recientemente.

NOTAS:

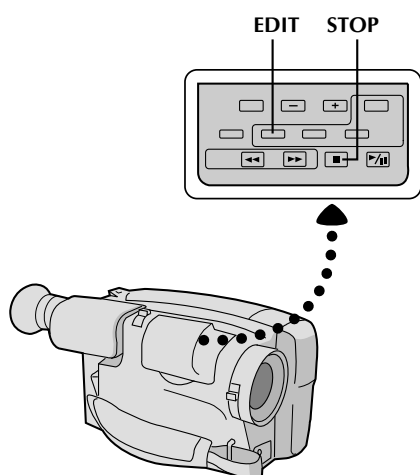
- El RM-V706U puede ser utilizado también para operar otras videocámaras. Apunte el RM-V706U hacia el sensor remoto de la videocámara y presione cualquiera de los siguientes botones (la función aparece entre paréntesis).
 - ON/OFF (R.A. EDIT de la videocámara)
 - IN/OUT (IN/OUT de la videocámara)
 - CANCEL (CANCEL de la videocámara)
- Deberá haber por lo menos un segundo entre un punto de inserción y su correspondiente punto de corte.
- Para asegurar un funcionamiento correcto deje un espacio sin grabar de 15 segundos entre escenas.
- Las porciones sin grabar de la cinta no pueden ser registradas como puntos de inserción o de corte.
- Si pasan más de 5 minutos en la búsqueda de un punto de inserción el modo de pausa de grabación del VCR es desactivado y no se efectúa la edición.
- Al presionar **R.A.EDIT** borra de la memoria todos los puntos de inserción y de corte.
- Deje un pequeño margen de error alrededor de cada punto de inserción para asegurarse de que la escena será grabada en su totalidad.



CINTA ORIGINAL (Cámara)



CINTA EDITADA (VCR)



EDICION AUTOMATICA EN UN VCR

ACTIVACION DEL MODO DE PAUSA DE GRABACION DEL VCR

- 1 Apunte el mando a distancia hacia el sensor infrarrojo del VCR y presione **VCR REC STBY**, o active manualmente el modo de pausa de grabación del VCR.

INICIO DE LA EDICION AUTOMATICA


- 2 Presione **EDIT** en la videocámara y las escenas previamente seleccionadas serán copiadas en el VCR en el orden especificado.

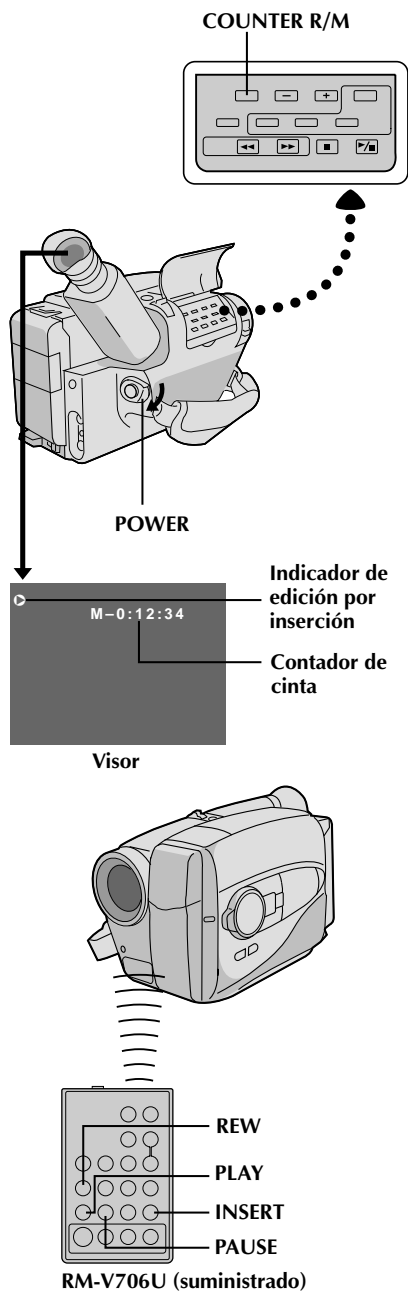
FIN DE LA EDICION AUTOMATICA

- 3 Cuando todas las escenas seleccionadas hayan sido copiadas, la videocámara y el VCR ingresarán en el modo de imagen fija o en el de pausa. Presione **STOP** en ambas unidades.

- Cuando termine la edición, asegúrese de desconectar el cable de edición y el cable de audio/video.

NOTAS:

- Si usted realizó el paso 1  en la página 41 (EFECTUE LAS CONEXIONES), mantenga el mando a distancia apuntado hacia el VCR durante la edición.
- La indicación en pantalla aparece solamente mientras la videocámara busca cada escena.
- Con ciertos VCR podrá haber alguna interferencia en los puntos de inserción o de corte en la cinta editada.



Edición por inserción

Usted puede grabar una nueva escena en una cinta previamente grabada, reemplazando una sección de la grabación original con interferencia mínima de imagen en los puntos de inserción y corte. El audio original permanece inalterado.

NOTA:

Para efectuar el siguiente procedimiento usted necesita un mando a distancia RM-V706U.

1 SELECCION DEL MODO

Coloque el conmutador de alimentación en PLAY.

2 BUSQUEDA DEL PUNTO DE EDICION POR CORTE

Localice el punto y presione **PAUSE** en la videocámara o en el mando a distancia.

3 REPOSICION DEL CONTADOR

Mantenga presionado **COUNTER R/M** durante más de 2 segundos para repositonar el contador de cinta, luego presiónelo menos de 1 segundo y asegúrese de que aparezca "M" en el visor.

4 BUSQUEDA DEL PUNTO DE EDICION POR INSERCIÓN

Presione **REW** para rebobinar la cinta un poco antes que el principio de la escena que usted desea reemplazar, presione **PLAY** para ver la cinta grabada y presione **PAUSE** exactamente en el punto donde debe comenzar la nueva escena.

5 ACTIVACION DEL MODO DE EDICION POR INSERCIÓN

Mantenga presionado **INSERT** y presione **PAUSE** al mismo tiempo. Se activará el modo de inserción y la escena a la cual la videocámara está apuntada aparecerá en la pantalla.

6 INICIO DE LA EDICION POR INSERCIÓN

Presione inicio/pausa de grabación. Cuando el contador llega a "0:00:00:", la edición para automáticamente y la videocámara ingresa en el modo de pausa de inserción.

7 FIN DE INSERCIÓN DE EDICION

Presione **STOP**.

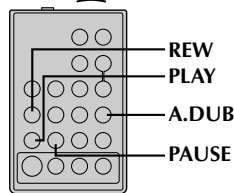
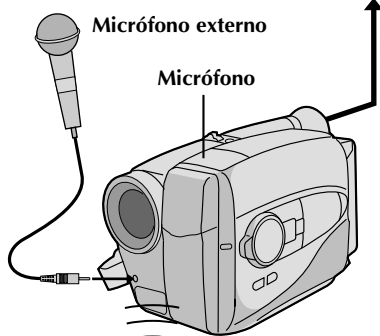
• Si se estaba activado el efecto de fundido/reemplazo de imagen durante la inserción de edición, espere aproximadamente 10 segundos después de presionar **STOP** antes de efectuar otras operaciones.

NOTAS:

- Después de efectuar el paso 5, es posible efectuar la retoma (☞ p. 18).
- La cinta puede parar brevemente antes o después del punto final designado, y podrán aparecer barras de interferencia. Nada de esto indica un defecto de la unidad.
- Solamente se graban las señales de vídeo en el modo de edición por inserto.



Indicador de copia de audio



RM-V706U
(suministrado)

Copia de audio

Usted puede grabar una nueva pista de sonido en una cinta pregrabada (audio normal exclusivamente).

** Ejecute los pasos 1, 2 y 3 del procedimiento de edición por inserción (p. 44), antes de continuar.

- El sonido proviene del micrófono incorporado (o del micrófono externo conectado).

BUSQUEDA DEL PUNTO PARA EDICION POR INSERCIÓN

- 1 Presione **REW** para rebobinar la cinta un poco antes del principio sobre la que usted desea copiar el nuevo audio, presione **PLAY** para ver la cinta grabada y luego presione **PAUSE** exactamente en el punto donde desea que se inicie la copia.

ACTIVACION DEL MODO DE PAUSA DE COPIA DE AUDIO

- 2 Mantenga presionado **A. DUB** y presione y suelte **PAUSE**.

INICIO DE LA COPIA DE AUDIO

- 3 Presione **PLAY/PAUSE**. Cuando el contador llegue a "0:00:00", la copia de audio para automáticamente y la videocámara ingresa en el modo de espera de copia de audio.

FIN DE LA COPIA DE AUDIO

- 4 Presione **STOP**.

NOTAS:

- No presione **FF** ni **REW** durante la pausa de copia de audio, porque perderá la precisión de los puntos de edición.
- Si el micrófono de la videocámara está demasiado cerca del TV, o si el volumen de éste está demasiado alto, podrán haber silbidos.

NOTAS (para la edición por inserción y copia de audio):

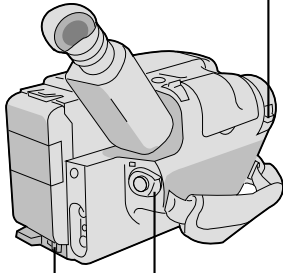
- La edición por inserción y la copia de audio pueden no funcionar correctamente si la cinta contiene segmentos sin grabar, o si la velocidad de grabación fue modificada durante la grabación original.
- Para editar/copiar en una cinta sin la lengüeta de protección de grabación, cubra el orificio con cinta adhesiva.
- No presione **STOP** durante la edición por inserción ni durante la copia de audio, porque perderá la precisión de los puntos de edición.
- Durante la edición por inserción y la copia de audio, o cuando inserta una pausa o con el modo de espera de copia de audio activados, el contador puede pasarse levemente del punto "0:00:00". Sin embargo, la grabación se detendrá exactamente en 0:00:00.



46_{ES}

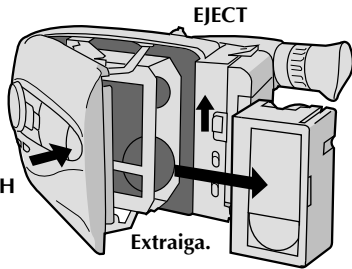
MANTENIMIENTO POR PARTE DEL USUARIO

Conmutador de apertura/
cierre LENS COVER



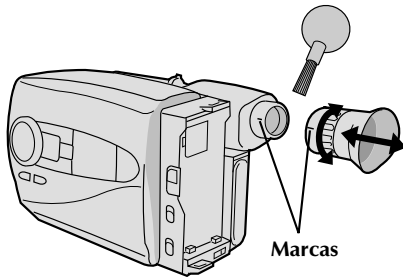
Colóquelo en "POWER OFF".

BATT. RELEASE
(extracción de la pila)



PUSH

Extraiga.



Marcas

Después de usar

- 1 Coloque el conmutador de alimentación en POWER OFF para desconectar la videocámara.
- 2 Deslice EJECT para abrir el portacassette, y extraiga el cassette.
- 3 Cierre y bloquee el portacassette presionando PUSH.
- 4 Presione BATT. RELEASE para extraer el paquete de pilas.
- 5 Deslice el conmutador de apertura/cierre LENS COVER para cerrar el cubreobjetivo.

Limpeza de la videocámara

LIMPIE EL EXTERIOR

- 1 Límpielo suavemente con un paño suave.

LIMPIE EL OBJETIVO

- 2 Utilice un cepillo soplador y después límpielo suavemente con papel para limpieza de objetivos.

EXTRAIGA EL OCULAR

- 3 Gire el ocular en el sentido contrario a las agujas del reloj y extráigalo.

LIMPIE EL VISOR

- 4 Limpie el polvo utilizando un cepillo soplador.

RECOLOQUE EL OCULAR

- 5 Alinee las marcas y recoloque el ocular girándolo en el sentido de las agujas del reloj.

NOTAS:

- Evite utilizar agentes fuertes de limpieza tales como bencina o alcohol.
- La limpieza debe ser efectuada sólo después de haber extraído el paquete de pilas o de desconectar cualquier otra unidad de alimentación.
- Si se deja el objetivo sucio, puede crecer moho.



LOCALIZACION Y REPARACION DE AVERIAS

ES 47

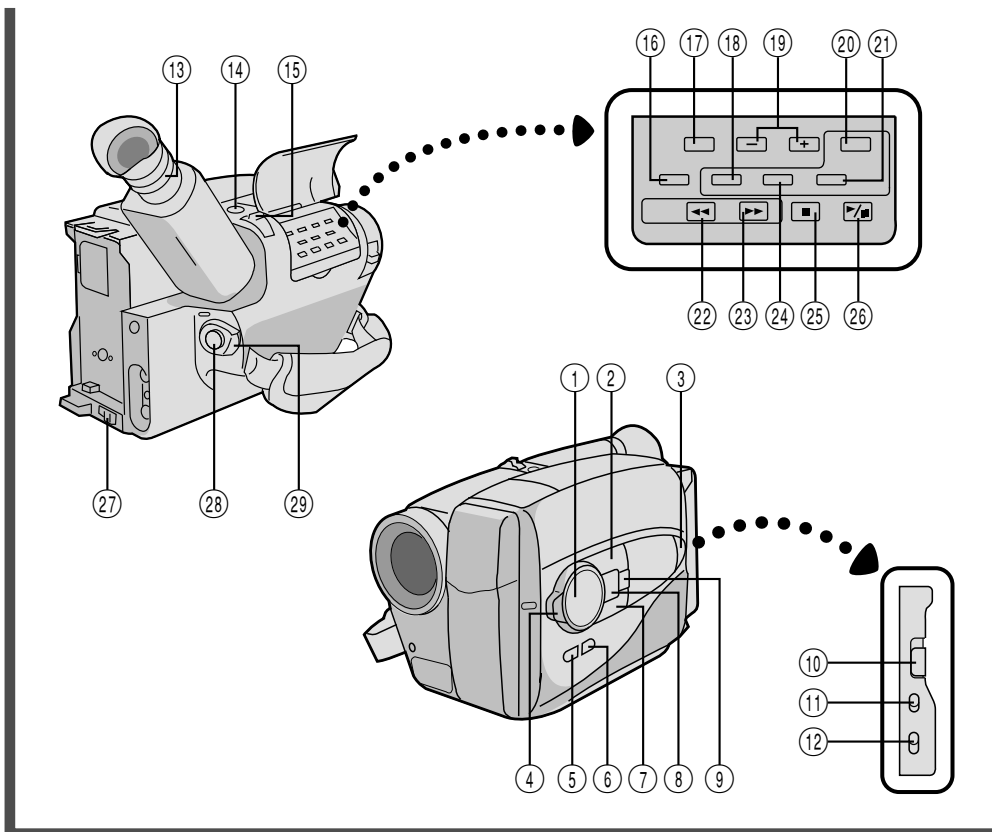
SINTOMA	CAUSA/S PROBABLE/S
ALIMENTACION	
No hay corriente.	<ul style="list-style-type: none">● La batería no ha sido correctamente colocada (☞ p. 8).● La batería no está cargada (☞ p. 8).● La unidad de alimentación no ha sido correctamente conectada (☞ p. 9).
La alimentación se desconecta y no vuelve a conectarse.	<ul style="list-style-type: none">● La batería está completamente descargada.● Extraiga el cassette y desconecte la fuente de alimentación, y después de algunos minutos intente conectar la alimentación otra vez. Si no se conecta, consulte con su agente JVC más cercano.
GRABACION	
Es imposible grabar.	<ul style="list-style-type: none">● Falta la lengüeta para protección contra borrado de la cinta para grabación. Cubra el orificio con cinta adhesiva. (Algunos cassettes poseen lengüetas deslizantes, en cuyo caso es necesario verificar las posiciones de las mismas).
No se inicia la grabación.	<ul style="list-style-type: none">● El conmutador de alimentación de la videocámara no ha sido colocado en CAMERA (☞ p. 16).
REPRODUCCION	
La cinta es transportada pero no se reproduce la imagen.	<ul style="list-style-type: none">● El TV no ha sido colocado en el modo VIDEO o en el canal.● Si se utiliza la conexión de A/V, el conmutador VIDEO/TV del TV no ha sido colocado en VIDEO.● La unidad RF no ha sido sintonizada en el canal correcto.
En la imagen reproducida aparecen barras de interferencia.	<ul style="list-style-type: none">● No se ha efectuado el seguimiento manual (Tracking) (☞ p. 39).
La imagen reproducida es borrosa o interrumpida.	<ul style="list-style-type: none">● Las cabezas de video están sucias o gastadas. Consulte con su agente de JVC más cercano para limpiar o reemplazar las cabezas.
La indicación del contador es borrosa durante la reproducción de imagen fija.	<ul style="list-style-type: none">● Esto es normal.
TRANSPORTE DE LA CINTA	
La cinta para durante el avance rápido o el rebobinado.	<ul style="list-style-type: none">● Se ha activado la función de memoria del contador (☞ p. 39).
No se puede ejecutar el avance rápido o el rebobinado.	<ul style="list-style-type: none">● La cinta está completamente rebobinada en uno de los carretes.



48^{ES} LOCALIZACION Y REPARACION DE AVERIAS (cont.)

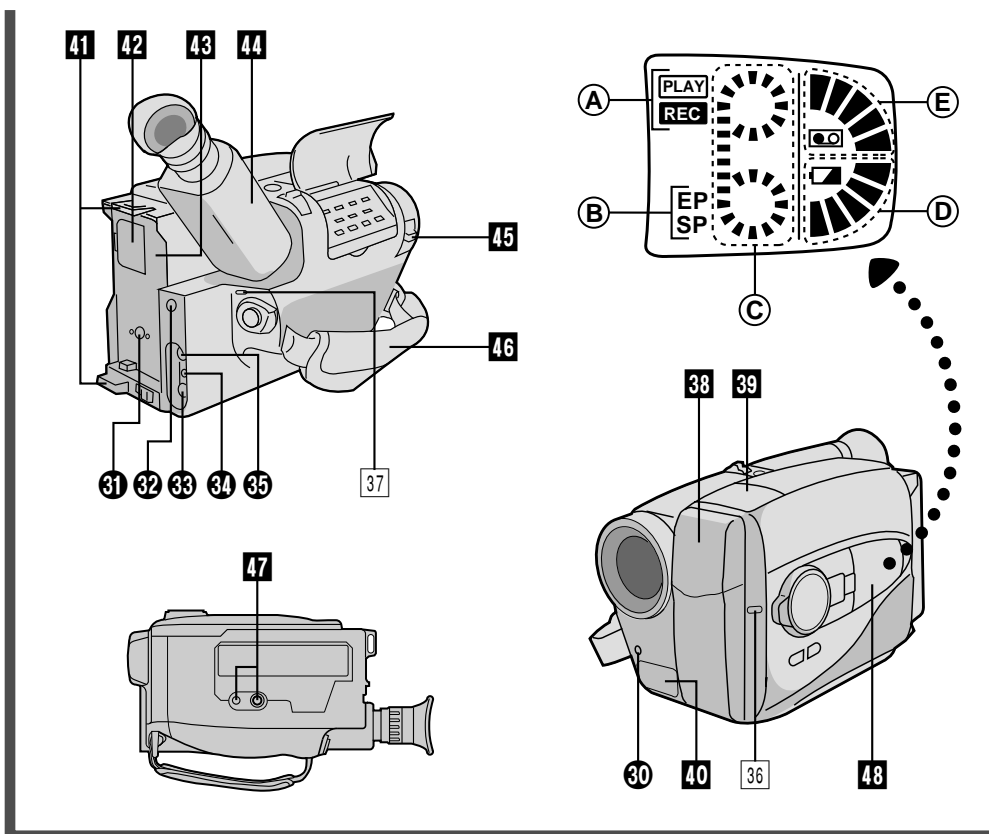
SINTOMA	CAUSA/S PROBABLE/S
OTROS	
No es posible sacar la cinta.	<ul style="list-style-type: none"> ● Se está agotando la carga de la batería.
Algunas funciones no están disponibles.	<ul style="list-style-type: none"> ● El selector de modo de filmación está colocado en "FULL AUTO".
Aparecen líneas blancas verticales cuando se filma un objeto muy brillante.	<ul style="list-style-type: none"> ● Esto ocurre algunas veces cuando el contraste entre el fondo y el primer plano es muy grande. Esto no es un defecto de la videocámara.
Aparecen en el visor puntos brillantes en forma de cristal.	<ul style="list-style-type: none"> ● Luz solar entra directamente en el objetivo.
La imagen aparece borrosa en el modo de revisión rápida o retoma.	<ul style="list-style-type: none"> ● Esto es normal mientras graba en el modo EP. Es posible que haya algo de interferencia mientras graba en el modo SP (véase p. 13).
El visor indica un número de error (E03)	<ul style="list-style-type: none"> ● Desconecte la alimentación de la videocámara, y desconecte la fuente de alimentación. Después de transcurridos unos pocos minutos intente conectarla otra vez. Si el número de error aparece en el visor, consulte a su agente JVC más cercano.
La imagen está desenfocada.	<ul style="list-style-type: none"> ● Es necesario ajustar la dioptría (véase p. 10). ● La escena que está siendo filmada afecta adversamente el enfoque automático (véase p. 24). ● Se está utilizando el cambio de zoom (véase p. 17). Más allá de los límites del zoom óptico, la amplificación es lograda a través de procesamiento digital. Esto hace que la imagen parezca desenfocada.
El título del generador de caracteres y las indicaciones de la fecha y hora se borran del visor.	<ul style="list-style-type: none"> ● Si usted desconecta la fuente de alimentación mientras la videocámara está activada, se borrarán todos los ajustes y selecciones. Asegúrese de desconectar la alimentación de la videocámara antes de desconectar la fuente de alimentación.
Aunque el cubreobjetivo esté abierto, la advertencia de cubreobjetivo parpadea.	<ul style="list-style-type: none"> ● La indicación de advertencia de cubreobjetivo puede parpadear cuando se usa la videocámara en áreas oscuras, independientemente de la posición del cubreobjetivo.

La videocámara es un mecanismo controlado por un microcomputador. El ruido y la interferencia externa (proveniente de un TV, radio, etc.), puede evitar que funcione correctamente. En tales casos, primero desconecte la unidad de alimentación de la videocámara (batería, adaptador de CA/cargador de batería, etc.), y la pila del reloj, luego vuelva a conectarla y proceda normalmente desde el principio.



Controles

- ① Control de múltiples funciones [Botones FAR/NEAR/+/-] p. 11
- ② Botón EFFECT/PROG. AE p. 26
- ③ Botón PUSH p. 5
- ④ Selector del modo de filmación p. 11
- ⑤ Botón de indicación [DISPLAY] p. 20
- ⑥ Botón del modo de fotografiado [SNAP SHOT MODE] p. 21
- ⑦ Botón de fundido/reemplazo de imagen [FADE/WIPE] p. 28
- ⑧ Botón del menú [MENU] p. 11
- ⑨ Botón D.I.S. (estabilizador de imagen digital) p. 22
- ⑩ Conmutador de expulsión [EJECT] p. 5
- ⑪ Conmutador de activación/desactivación de pausa automática [AUTO PAUSE ON/OFF] p. 18
- ⑫ Selector de funcionamiento de la luz [LIGHT ON/AUTO/OFF] p. 19
- ⑬ Control de ajuste de dioptría p. 10
- ⑭ Botón de fotografía [SNAP SHOT] p. 21
- ⑮ Conmutador del zoom motorizado p. 17
- ⑯ Botón MWB [balance manual del blanco] p. 23
- ⑰ Botón del modo de grabación p. 13
- ⑱ Botón de reposición [COUNTER R]/ memoria de contador [COUNTER M] ... p. 39
- ⑲ Botón de edición [EDIT] p. 43
- ⑲ Botones +/- de seguimiento [TRACKING] p. 39
- ⑳ Botón de entrada/salida para edición de conjuntos aleatorios [R.A. EDIT IN/OUT] ... p. 42
- ㉑ Botón de edición de conjuntos aleatorios [R.A. EDIT] p. 42
- ㉒ Botón de rebobinado [REW] p. 38
- ㉒ Botón de retoma en retroceso [revisión rápida] [RETAKE R] p. 17
- ㉓ Botón de avance rápido [FF] p. 38
- ㉓ Botón de retoma en avance [RETAKE F] ... p. 18
- ㉔ Botón de cancelación de conjuntos aleatorios [R.A. EDIT CANCEL] p. 42
- ㉕ Botón de parada [STOP] p. 5
- ㉖ Botón de reproducción/pausa [PLAY/PAUSE] p. 5
- ㉗ Conmutador de desenganche de la batería [BATT. RELEASE] p. 5
- ㉘ Botón de inicio/parada de grabación p. 5
- ㉙ Conmutador de alimentación [POWER] ... p. 10



Conectores

- 30 Jack MIC externo p. 45
- 31 Jack DC IN p. 9
- 32 Conector JLIP (Interconexión de Nivel de Voltaje y Protocolo)
 - Conecte el cable de edición para efectuar la edición de conjuntos aleatorios (p. 42).
 - En el futuro será utilizado para conectar la cámara de video a un computador personal.
- 33 Jack de salida VIDEO p. 37
- 34 Jack RF DC OUT p. 37
- 35 Jack de salida AUDIO p. 37

Indicadores

- 36 Lámpara testigo p. 16
- 37 Indicación de alimentación conectada p. 16

Otras Partes

- 38 Luz de video p. 19
- 39 Micrófono p. 45
- 40 Sensor remoto p. 15
(Tome precauciones para no cubrir esta área: aquí se encuentra incorporado el sensor necesario para filmación.)
- 41 Ojales de la correa para el hombro p. 14
- 42 Compartimiento de la pila del reloj p. 10
- 43 Montaje de la batería p. 8
- 44 Visor electrónico p. 10
- 45 Conmutador del cubreobjetivo [LENS COVER] p. 5
- 46 Correa de empuñadura p. 14
- 47 Zócalo de fijación del trípode p. 14
- 48 Visor de cristal líquido de indicación [LCD]
 - Ⓐ Indicación del modo de operación (reproducción/grabación)
 - Ⓑ Indicador del modo de grabación
 - Ⓒ Indicación de transporte de cinta
 - Ⓓ Indicación de la carga restante de la batería
 - Ⓔ Indicaciones de cinta colocada/cinta restante

**A**

Accesorios suministrados	p. 6
Adaptador/cargador de CA	p. 9
Adaptador de cassette	p. 36
Ajuste de la longitud de la cinta	p. 12
Ajuste de la dioptría	p. 10
Ajuste de la empuñadura	p. 14
Ajuste del balance del blanco	p. 23
Ajuste del código remoto para múltiples marcas	p. 41
Ajuste del modo de grabación	p. 13
Ajuste del visor	p. 10
Ajustes de fecha y hora	p. 11
Animación	p. 35
Aparición y desaparición gradual de la imagen	p. 28
Avanzar rápidamente la cinta	p. 38

B

Batería	p. 8 y 53
Batería de automóvil	p. 9
Bloqueo de enfoque	p. 24
Búsqueda rápida	p. 39

C

Cambio de zoom	p. 17
Carga del paquete de pilas	p. 8
Colocación de la correa para el hombro	p. 14
Conexión con un VCR y una TV	p. 37
Contador de cinta	p. 38
Contenido	p. 7
Control de exposición	p. 22
Copia de audio	p. 45
Copia de cintas	p. 40

D

Descarga del paquete de pilas	p. 8
Disparador automático	p. 34

E

Edición de conjuntos aleatorios [Edición R. A.]	p. 40 a 43
Edición por inserción	p. 44
Enfoque automático	p. 24
Enfoque manual	p. 25
Especificaciones	p. 55
España de grabación	p. 16
Estabilizador de imagen digital	p. 22
Extracción del cassette	p. 13

F

Fotografiado	p. 21
Fundido	p. 28

G

Generador de caracteres	p. 33
Grabación	p. 16
Grabación, funciones avanzadas	p. 20 a 35
Grabación, inicio/parada	p. 16

I

Iluminar la imagen	p. 22
Indicaciones en el visor	p. 51
Indicador de carga	p. 9
Inserción de fecha y hora	p. 20
Inserción del cassette	p. 13

L

Lapso de tiempo	p. 35
-----------------------	-------

M

Mando a distancia	p. 15
Marca con código de índice	p. 18
Memoria de contador	p. 39
Menú auxiliar	p. 31
Menú principal	p. 31
Modo de atardecer	p. 27
Modo de cine	p. 27
Modo de deportes	p. 27
Modo de obturador con alta velocidad ..	p. 27
Modo de sepia	p. 27
Montaje del trípode	p. 14

O

Oscurecer la imagen	p. 22
---------------------------	-------

P

Pila (litio) del reloj	p. 10
Programa AE con efectos especiales	p. 27
Protección contra borrado	p. 13

R

Rebobinar la cinta	p. 38
Reemplazo de imagen	p. 28
Reproducción	p. 36
Reproducción de la imagen fija	p. 39
Retoma	p. 18
Revisión rápida	p. 17

S

Seguimiento manual	p. 39
--------------------------	-------

T

Títulos instantáneos	p. 32
----------------------------	-------

V

Visor de cristal líquido de indicación	p. 50
--	-------

Z

Zoomado	p. 17
---------------	-------



PRECAUCIONES

ES 53

PELIGRO:

Luz de video

- La luz de video y la lámpara se calientan muchísimo. No la toque mientras está encendida ni inmediatamente después de apagarla para evitar quemaduras graves.
- No coloque la videocámara en el estuche inmediatamente después de utilizar la luz de video ya que ésta está extremadamente caliente.
- Cuando utilice esta luz, mantenga una distancia de unos 30 cm. entre ésta y la gente u objetos.
- No la utilice cerca de materiales inflamables o explosivos.
- Para reemplazar la luz de video le recomendamos que consulte con su agente de JVC más cercano.

Fallas graves

Si ocurre una falla, pare de usar la unidad inmediatamente y consulte a su agente local de JVC.

Precauciones generales para las pilas

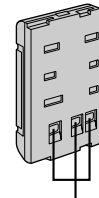
- Cuando el C-P6U o el C-P7U (adaptador de cassette) no funcione correctamente aunque se los opere como se instruye, las pilas están agotadas. Reemplácelas por unas nuevas.
- Utilice las siguientes pilas exclusivamente: C-P6U ó C-P7U tamaño AA (R6)

Por favor note las siguientes normas para el uso de las pilas. Cuando se las usa incorrectamente las mismas pueden tener fugas o explotar.

1. Al reemplazar las pilas refiérase a las instrucciones de C-P6U/C-P7U.
2. **No** utilice pilas nuevas y viejas conjuntamente.
3. **No** utilice dos tipos diferentes de pilas. Aunque los tamaños pueden ser iguales, los voltajes pueden ser diferentes.
4. **No** esponga las pilas al calor excesivo ya que pueden tener fugas o explotar.
5. **No** arroje las pilas al fuego.
6. Extraiga las pilas de la unidad si la va a almacenar durante un largo período para evitar que las pilas tengan fugas lo cual puede causar fallas.

Paquetes de pilas

El paquete suministrado contiene pilas de níquel - cadmio. Antes de utilizar el paquete de pilas suministrado o un paquete de pilas opcional, asegúrese de leer las siguientes precauciones:



Terminales

1. Para evitar peligro . . .

- **no** las queme.
- **no** cortocircuite los terminales.
- **no** las modifique ni las desarme.
- utilice sólo los cargadores especificados.

2. Para evitar daños y prolongar la vida de servicio . . .

- **no** las sujete a choques innecesarios.
- evite cargarlas repetidamente sin descargarlas completamente.
- cámbielas en un ambiente dónde las temperaturas estén dentro de las tolerancias mostradas en la tabla de abajo. Estas pilas son de tipo reacción química, el frío impide la reacción química, al mismo tiempo que el calor puede impedir la recarga.
- almacénelas en un lugar fresco y seco. La exposición prolongada a altas temperaturas aumentará la descarga natural y acortará la vida de servicio.
- evite almacenar las pilas descargadas durante un tiempo prolongado.
- extraígalas del cargador o unidad de alimentación cuando no las utilice, ya que algunas máquinas consumen corriente aunque estén desconectadas.

3. Para evitar daños a la videocámara . . .

- Reemplace el paquete de pilas cuando empiecen a producir menos tiempo de grabación por carga.

NOTA:

Es normal que el paquete de pilas se caliente después de cargarlo o utilizarlo.

Límites de temperatura

Carga	10° a 35° C
Operación	0° a 40° C
Almacenado	-10° a 30° C

NOTAS:

- El tiempo de recarga está basado en una temperatura ambiente de 20° C.
- Cuanto más baja sea la temperatura, más tiempo insumirá la recarga.



Cassettes

Para utilizar y almacenar correctamente los cassettes, asegúrese de leer las siguientes precauciones:

1. Durante el uso . . .

- asegúrese de que el cassette tenga la marca VHS-C.
- a grabación sobre cintas pregrabadas borra automáticamente el video previamente grabado y las señales de audio.
- asegúrese de que el cassette esté colocado correctamente al insertarlo.
- no coloque y extraiga el cassette repetidamente sin permitir que la cinta gire un poco. Esto afloja la cinta y puede resultar en daños.
- no coloque y extraiga el cassette repetidamente sin permitir que la cinta gire un poco. Esto afloja la cinta y puede resultar en daños.

2. Almacene los cassettes . . .

- lejos de calentadores u otras fuentes de calor.
- fuera de la luz directa del sol.
- dónde no queden sujetos a choques y vibraciones innecesarios.
- dónde no queden expuestos a fuertes campos magnéticos (tales como los generados por motores, transformadores o imanes).
- verticalmente, en sus cajas originales.

Unidad principal

1. Por seguridad, NO . . .

- abra el chasis de la videocámara.
- sesame o modifique la unidad.
- cortocircuite los terminales del paquete de pilas. Consérvelo lejos de objetos metálicos cuando no lo está utilizando.
- permita que entren en la unidad elementos inflamables, agua u objetos metálicos.
- extraiga el paquete de pilas ni lo desconecte de la unidad de alimentación mientras la alimentación está conectada.
- deje el paquete de pilas colocado cuando no está utilizando la videocámara.

2. Evite utilizar la unidad . . .

- en lugares sujetos a excesiva humedad o polvo
- en lugares con hollín o vapor tales como lugares cercanos a una cocina.
- en lugares sujetos a choques o vibración excesivos.
- cerca de un aparato de televisión.
- cerca de aparatos que generen fuertes campos magnéticos o eléctricos (altavoces, antenas de transmisión, etc.).
- en lugares sujetos a temperaturas extremadamente altas (más de 40° C), o extremadamente bajas (menos de 0° C).

3. NO DEJE la unidad . . .

- en lugares con más de 50°C.
- en lugares donde la humedad es extremadamente baja (menos del 35%), o extremadamente alta (más del 80%).
- expuesta a la luz directa del sol.
- en un automóvil cerrado en verano.
- cerca de un calentador.

4. Para proteger la unidad NO . . .

- permita que se humedezca.
- deje caer la unidad ni la golpee con objetos duros.
- la sujete a choques o vibración excesiva durante el transporte.
- mantenga el objetivo apuntado a objetos extremadamente brillantes durante largos períodos.
- apunte el ocular del visor hacia el sol.
- la transporte sosteniéndola por el visor.
- la balancee excesivamente cuando utiliza la correa para el hombro.

5. Esta videocámara se caracteriza por un limpiador de cabezas incorporado que limpia las mismas automáticamente y el tambor de cabezas cuando se coloca y se extrae un cassette. Si las cabezas se ensucian y causan borrosidad o interrupción de la imagen reproducida, consulte con su agente JVC más cercano.

Acerca de la condensación de humedad . . .

- Usted habrá observado que al verter un líquido frío en un vaso se forman gotas de agua en la superficie externa del mismo. Este es el mismo fenómeno que ocurre el tambor de cabezas de la videocámara cuando se la traslada desde un lugar fresco a uno caliente, habiendo humedad excesiva o en un lugar sujeto directamente al aire frío proveniente de un acondicionador de aire.
- La humedad en el tambor de cabezas puede producir graves daños en la cinta de video y también puede ocasionar daños internos en la videocámara.



ESPECIFICACIONES

ES 55

GENERALIDADES

Formato	: Norma NTSC VHS
Alimentación	: 6 V
Consumo de energía	
luz encendida	: 8,9 W
luz apagada	: 5,9 W
Sistema de señales	: Tipo NTSC
Sistema de registro de video	
Luminancia	: Registro por FM
Color	: Registro directo por subportadora convertida *Según la norma VHS
Cassette	: Videocassette VHS
Velocidad de la cinta	
SP	: 33,35 mm/s
EP	: 11,12 mm/s
Tiempo máx. de grabación	
SP	: 40 minutos
EP	: 120 minutos (con un cassette TC-40)
Temperatura de funcionamiento	: 0°C a +40°C
Humedad de funcionamiento	: 35% a 80%
Temperatura de almacenamiento	: -20°C a +50°C
Peso	: Aprox. 780 g
Dimensiones (con visor)	: 109 (An) x 113 (Al) x 206 (Pr) mm

CAMERA

Captación	: CCD formato de 1/4 plug.
Margen de iluminación	: F1,2, f = 4,1 a 57,4 mm, objetivo zoom motorizado de diafragma automático y 14:1 con diafragma automático y control de marco, diámetro del filtro 46 mm
Visor	: Electrónico con LCD en color de 0,55"
Ajuste del balance del blanco	: Automático/manual

VIDEO

Salida	: 1 Vp-p, 75 Ω , no equilibrada (via conector de salida de VIDEO)
--------	--

AUDIO

Salida	: -8 dB, 1 k Ω (via conector de salida de AUDIO)
Jack del micrófono externo	: 68 dB, alta impedancia desequilibrada con 3,5 ϕ (MONO)

ESPECIFICACIONES DEL ADAPTADOR/CARGADOR DE CA (AA-V11EG)

Alimentación	: 110 a 240 V de CA, 50/60 Hz
Consumo	: 23 W
Salida	: DC 8,5 V , 1,3 A (carga) : DC 6,3 V , 1,8 A (cámara)
Sistema de carga	: Corriente constante, detección de cresta, temporizador
Dimensiones	: 150 (An) x 42 (Al) x 68 (Pr) mm
Peso	: Aprox. 350 g

ESPECIFICACIONES DEL ADAPTADOR DE CASSETTE (C-P7U)

Dimensiones	: 188 (An) x 25 (Al) x 104 (Pr) mm
Peso	: Aprox. 240 g.
Accesorio	: 1 pila "AA (R6)"

Accesorios suministrados p. 6

Accesorios opcionales

- Paquetes de pilas BN-V12U, BN-V22U, BN-V25U
- Cargador de batería de automóvil BH-V3U
- Cargador de batería BH-VC10U
- Cordón para batería de automóvil AP-V7U
- Unidad de radiofrecuencia RF-V5U
- VHS Compacto (cassettes VHS-C) TC-40/30/20
- Bolso CB-V7U

* Algunos accesorios no se encuentran disponibles en ciertas áreas.
Por favor consulte a su agente más cercano de JVC antes de comprar los accesorios opcionales.

Los especificaciones indicadas corresponden al modo SP a menos que se especifique lo contrario. Diseño y especificaciones sujetos a cambio sin aviso.

2 PO

Caro usuário,

Gratos pela aquisição da câmera de vídeo VHS compacta JVC. Antes de utilizá-la, leia as informações e precauções de segurança contidas nas páginas a seguir, a fim de assegurar o uso seguro da sua nova câmera de vídeo.

Utilização deste manual de instruções

- Todas as seções e subseções estão listadas no índice (☞ pág. 7).
- Notas aparecem após a maioria das subseções. Certifique-se de lê-las também.
- As características/operações básicas e avançadas estão separadas para facilitar a consulta.

Recomenda-se . . .

- consultar o índice remissivo (☞ págs. 49 – 52) e familiarizar-se com as localizações das teclas, etc. antes do seu uso.
- ler atentamente as Precauções de Segurança a seguir, e os avisos (☞ págs. 53, 54). Estão contidas informações extremamente importantes referentes ao uso seguro da sua nova videocâmara.

PRECAUÇÕES DE SEGURANÇA

ADVERTÊNCIA:
PARA EVITAR O RISCO DE INCÊNDIO OU DE CHOQUE ELÉTRICO, NÃO EXPONHA ESTE APARELHO À CHUVA OU UMIDADE.

AVISOS:

- Para evitar choques, não abra o revestimento. Não há peças reparáveis pelo usuário no interior do aparelho. Solicite assistência a pessoal técnico qualificado.
- Caso não vá utilizar o adaptador CA/ recarregador de baterias por um longo intervalo, recomenda-se desligar o cabo de alimentação CA da tomada da rede elétrica.



- A câmera foi projetada exclusivamente para cassetes de vídeo VHS-C. Somente cassetes marcados com VHS-C podem ser utilizados com este aparelho.
- HQ VHS é compatível com equipamentos VHS existentes.

Advertência sobre a bateria de lítio

A bateria utilizada neste aparelho pode apresentar perigo de incêndio ou combustão química, se incorretamente manuseada. Não recarregue, desmonte, aqueça acima de 100°C ou queime a pilha de lítio.

Substitua a pilha por outra Panasonic (Matsushita Electric), Sanyo ou Maxell CR2025; o uso de um outro tipo de pilha poderá criar riscos de incêndio ou explosão.

- Encaminhe devida e prontamente as baterias esgotadas.
- Mantenha as baterias fora do alcance de crianças.
- Não desmonte nem jogue as baterias no fogo.

Esta câmera foi projetada para ser utilizada com sinais de televisão colorida do tipo NTSC. Não é possível utilizá-la para reproduções com um televisor de um padrão diferente. Entretanto, gravações ativas são possíveis em qualquer lugar. Utilize baterias recarregáveis BN-V12U/ V22U/V25U e, para recarregá-las, o adaptador CA/carregador de multivoltagem fornecido. (Um adaptador de conversão apropriado pode ser necessário para acomodar diferentes designs de tomadas de saída CA dos diferentes países.)

NOTAS:

- A placa de identificação (placa do número de série) e o aviso de segurança estão na base e/ ou na parte posterior da câmera.
- A placa de identificação (placa do número de série) do adaptador CA/carregador está localizada na sua base.

Este aparelho foi produzido de acordo com o Padrão IEC Publ. 65.



INSTRUÇÕES IMPORTANTES DE SEGURANÇA DO PRODUTO

A energia elétrica pode desempenhar várias funções úteis. Entretanto, a utilização imprópria pode resultar em riscos potenciais de choque ou incêndio. Este produto foi projetado e fabricado de forma a garantir a sua segurança pessoal. Para não anular as proteções internas, observe as regras básicas a seguir, para sua instalação, utilização e assistência.

ATENÇÃO:

Siga e obedeça todos os avisos e instruções indicados no produto e sua operação. Para sua segurança, leia, por favor, todas as instruções quanto à segurança e operação antes de operar o produto e guarde este manual para consultas futuras.

INSTALAÇÃO

1. Fontes de Alimentação

Opere este produto apenas a partir do tipo de fonte de alimentação indicado na etiqueta de identificação. Caso não esteja certo do tipo de energia fornecido para sua residência, consulte o revendedor do produto ou a companhia local de energia. Se a intenção é operar o seu produto com bateria ou outras fontes, consulte as instruções de operação.

2. Sobrecarga

Não sobrecarregue as tomadas da parede, extensões ou conectores em T, pois isso pode resultar em risco de incêndio ou choque.

3. Proteção do Fio da Alimentação

Os fios de alimentação devem permanecer em locais onde não sejam pisados, evitando ainda que objetos sejam colocados sobre/ou apoiados neles. Atenção especial é necessária com relação a estes fios no que diz respeito aos plugues, tomadas e o jack de entrada do equipamento.

4. Ventilação

As fendas e aberturas do gabinete são destinadas à ventilação. Para assegurar uma operação confiável do produto e protegê-lo contra superaquecimento, essas aberturas não devem ser obstruídas ou cobertas.

- Não obstrua as aberturas colocando o produto sobre camas, sofás, tapetes ou superfícies semelhantes.
- Não coloque o produto em instalações embutidas, como estantes de livros ou prateleiras, a não ser que haja ventilação adequada ou que estejam de acordo com as instruções do fabricante.

5. Instalação na Parede ou Teto

O produto só deverá ser instalado na parede ou no teto da forma recomendada pelo fabricante.

INSTRUÇÕES PARA A INSTALAÇÃO DA ANTENA

1. Aterramento da Antena Externa

Se conectar uma antena externa ou sistema de cabo ao produto, certifique-se de que a antena ou o sistema de cabo está ligado à terra, de modo a oferecer alguma proteção contra oscilação de voltagem e cargas estáticas geradas. O Artigo 810 do National Electric Code, ANSI/NFPA 70, fornece informações relativas ao aterramento adequado do poste e da estrutura de apoio, aterramento do fio terra a uma unidade de descarga da antena, tamanho dos condutores do fio terra, localização da unidade de descarga da antena, conexão a eletrodos de aterramento e exigências de eletrodos de aterramento.

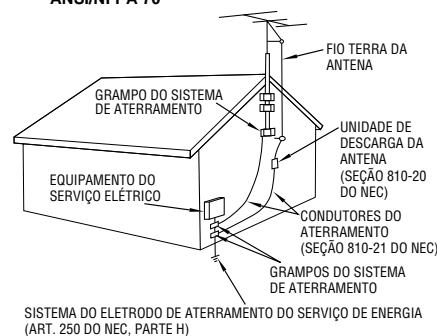
2. Descarga Elétrica

Para uma proteção adicional deste produto durante uma tempestade de raios, ou quando for deixado sem alguém por perto ou não utilizado, desligue-o da tomada da parede e desligue a antena ou o sistema de cabo. Isso evitará dano ao produto em decorrência de raios e oscilação na linha de transmissão.

3. Linhas de Transmissão

O sistema de antena externa não pode estar localizado nas proximidades de linhas de transmissão aéreas ou circuitos de energia, onde possa cair sobre essas linhas. Quando instalar um sistema de antena externa, tome o máximo de cuidado para não tocar nessas linhas de transmissão pois o contato poderá ser fatal.

EXEMPLO DE ATERRAMENTO DE ANTENA, SEGUNDO O NATIONAL ELECTRICAL CODE, ANSI/NFPA 70



NEC – CÓDIGO NACIONAL DE ELETRICIDADE

UTILIZAÇÃO

1. Acessórios

Para evitar ferimentos:

- Não coloque este produto em carrinhos, apoios, tripés, suportes ou mesas instáveis. Ele pode cair, provocando ferimentos sérios em crianças ou adultos e danos sérios ao produto.
- Utilize-o apenas com carrinhos, apoios, tripés, suportes ou mesas recomendados pelo fabricante ou vendidos com o produto.
- Utilize acessórios de montagem recomendados pelo fabricante e siga as instruções do fabricante para qualquer montagem do produto.
- Não realize o transporte em um carrinho com rodízios pequenos em soleiras ou carpetes grossos.

2. Conjunto Produto e Carrinho

O conjunto produto e carrinho deve ser movimentado com cuidado. Paradas repentinas, força excessiva e superfícies irregulares podem provocar a queda de ambos.

3. Água e Umidade

Não utilize este produto perto de água — por exemplo, perto de banheiras, bacias, pias de cozinha ou tanques, em porões úmidos ou perto de piscinas e locais semelhantes.

AVISO SOBRE CARRINHO
PORTÁTIL
(Símbolo fornecido pela RETAC)



4. Entrada de Líquidos e Objetos

Nunca introduza nenhum tipo de objeto através das aberturas pois este poderá tocar pontos de voltagem perigosos ou provocar curto-circuito e resultar em incêndio ou choque elétrico.

Nunca derrube líquidos de qualquer natureza sobre o produto.

5. Acessórios

Nunca use acessórios não recomendados pelo fabricante deste produto pois podem ser perigosos.

6. Limpeza

Desligue este produto da tomada da parede antes de limpá-lo. Não use produtos de limpeza líquidos ou em aerossol. Utilize um pano úmido para a limpeza.

7. Aquecimento

O produto deve ficar longe de fontes de aquecimento como aquecedores, registros de aquecedores, fogões ou outros utensílios (inclusive amplificadores) que produzam calor.

MANUTENÇÃO

1. Manutenção

Se o seu produto não estiver funcionando corretamente ou mostrar uma mudança acentuada no desempenho e V. não conseguir fazê-lo funcionar normalmente, seguindo os procedimentos detalhados nas instruções de operação, não tente consertá-lo sozinho, pois ao abrir ou retirar tampas você poderá se expor a voltagens perigosas ou outros riscos. Encaminhe toda a manutenção a funcionários especializados em assistência.

2. Danos que Exigem Assistência

Desligue este produto da tomada da parede e leve-o à assistência técnica especializada nos seguintes casos:

- Quando o fio da alimentação ou a tomada estiverem danificados.
- Se tiver caído líquido ou objetos dentro do produto.
- Se o produto tiver sido exposto a chuva ou água.
- Se o produto não funciona normalmente, seguindo-se as instruções de operação. Ajuste apenas os controles previstos nas instruções de operação, pois um ajuste inadequado de outros controles pode resultar em danos e freqüentemente vai exigir muito trabalho de um técnico especializado para restaurar o funcionamento normal.
- Se o produto caiu, ou se danificou de alguma forma.
- Quando o produto demonstra uma mudança visível no desempenho—isto indica necessidade de assistência.

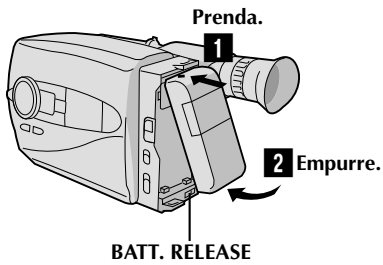
3. Substituição de Peças

Se houver necessidade de substituição de peças, certifique-se de que o técnico utilizou peças de reposição especificadas pelo fabricante ou que possuam as mesmas características da original. Substituições não autorizadas podem resultar em incêndio, choque elétrico ou outros riscos.

4. Checagem de Segurança

Ao término de qualquer serviço ou conserto deste produto, solicite ao técnico da assistência que realize os testes de segurança, para determinar se o produto está em condições seguras de funcionamento.

ALIMENTAÇÃO



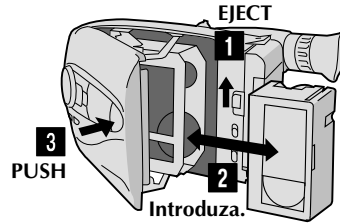
Para utilizar a bateria

- 1** Prenha a extremidade superior da bateria à câmara. (Procedimento para carregar, ☞ pág. 8)
- 2** Empurre a bateria até que ela trave no lugar.

Para retirar a bateria

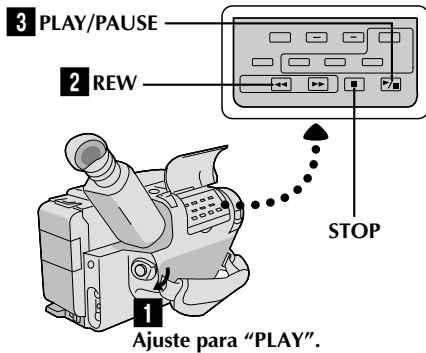
Deslize BATT. RELEASE e puxe a bateria para fora.

PARA INTRODUIZIR A FITA



- 1** Deslize EJECT.
- 2** Introduza a fita de vídeo.
- 3** Aperte PUSH. (Para mais detalhes, ☞ pág. 13)

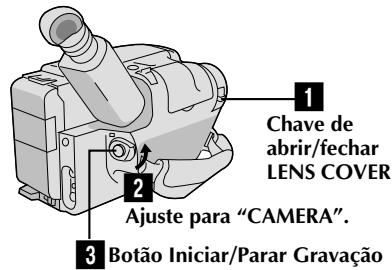
REPRODUÇÃO



- 1** Ajuste a chave de alimentação para "PLAY".
 - 2** Aperte **REW**.
— A fita pára automaticamente no seu início.
 - 3** Aperte **PLAY/PAUSE**.
— A reprodução começa e a imagem da reprodução aparece no visor.
- Para suspender a reprodução, aperte **STOP**. (Para mais detalhes, ☞ pág. 38)

■ Ou simplesmente reproduza a fita em um videocassete VHS, utilizando o Adaptador de Cassete (VHS Playpak). ☞ pág. 36

PARA GRAVAR



- 1** Deslize a chave de abrir/fechar LENS COVER para abrir a tampa da lente.
 - 2** Coloque a chave de alimentação em "CAMERA".
— O indicador de alimentação acende-se e a imagem será vista no visor.
 - 3** Aperte o botão Iniciar/Parar Gravação.
— A gravação começa.
- Para suspender temporariamente, aperte momentaneamente o botão Iniciar/Parar Gravação mais uma vez. (Para mais detalhes, ☞ pág. 16)

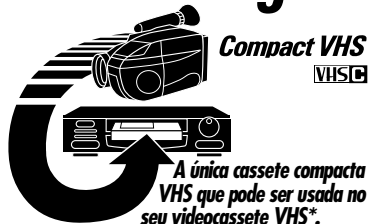


6^{PO}

CARACTERÍSTICAS BÁSICAS

LEMBRE-SE

A escolha lógica



Program AE com Efeitos Especiais (pág. 26)

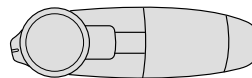
- Cinema ■ Sépia ■ Crepúsculo ■ Esportes
- Obturador de Alta Velocidade (1200 s)
- Filme Clássico ■ Strobe ■ Obturador Lento

Wipes e Fades Digitais (pág. 28)

- Fader de Preto
- Fader de Azul
- Fader de Mosaico
- Wipe de Obturador
- Wipe de Deslizamento
- Wipe de Canto
- Dissolver
- Seleção Automática

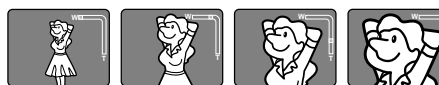
Luz Automática Embutida (pág. 19)

Controle Multifunção (págs. 22 - 35)



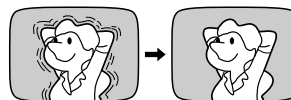
Hiperzoom Digital (pág. 17)

Zoom Positivo

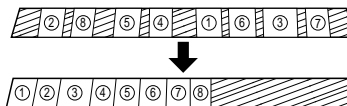


Zoom Negativo

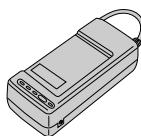
Estabilizador digital de imagem (pág. 22)



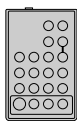
Edição de Montagem Aleatória (págs. 40 - 43)



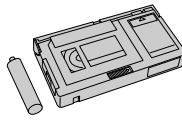
ACESSÓRIOS FORNECIDOS



- Adaptador CA/
Carregador de
Bateria AA-V11EG



- Unidade de
Controle Remoto
RM-V706U



- Adaptador de
Cassete (Playpak
VHS) C-P7U



- Bateria
BN-V12U



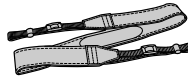
- Bateria de Lítio
CR2025



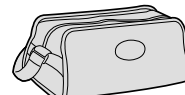
- Cabo CC



- Cabo de Edição



- Alça do Ombro



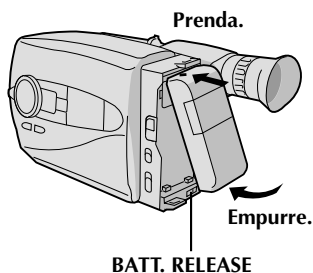
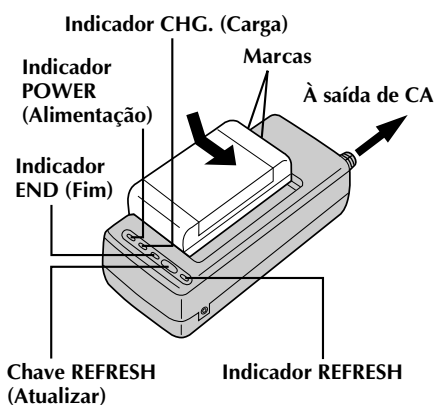
- Sacola CB-V8U



ÍNDICE

PO 7

PREPARATIVOS	8
Alimentação	8
Inserção/Remoção da Bateria (de Lítio) do Relógio	10
Ajuste do Visor	10
Para Acertar Data/Hora	11
Para Ajustar o Comprimento da Fita	12
Para Ajustar o Modo de Gravação	13
Para Colocar/Retirar a Fita	13
Ajuste da Empunhadura	14
Prendar a Alça do Ombro	14
Montagem do Tripê	14
Como usar a Unidade de Controle Remoto RM-V706U	15
GRAVAÇÃO	16
Gravação Básica	16
Características Básicas	17
Luz de vídeo	19
Funções Avançadas	20
Inserção de Data/Hora	20
Foto	21
Estabilizador Digital de Imagem	22
Controle de Exposição	22
Ajuste do Equilíbrio de Branco	23
Para focalizar	24
Program AE Com Efeitos Especiais	26
Fade/wipe	28
Utilização do Menu Para Um Ajuste Detalhado	30
Títulos Instantâneos	32
Temporizador Automático	34
Animação	35
Intervalo de Tempo	35
REPRODUÇÃO	36
Para utilizar o Adaptador de Cassete	36
Conexões Básicas	37
Reprodução Básica	38
Características	39
EDIÇÃO	40
Cópia de Fita	40
Edição de Montagem Aleatória [R.A.Edit] (Edição de M.A.)	40
Edição com Inserção	44
Dublagem de Áudio	45
MANUTENÇÃO PELO USUÁRIO	46
DIFICULDADES	47
ÍNDICE	49
Controles	49
Conectores	50
Indicadores	50
Visor	51
Condições	52
CUIDADOS	53
ESPECIFICAÇÕES	55



ATENÇÃO:

Antes de desligar a alimentação, certifique-se de que a câmera está desligada. A não adoção deste procedimento pode resultar em mau funcionamento da câmera.

Alimentação

O sistema de alimentação de 3 vias desta câmera lhe permite escolher a fonte de alimentação mais adequada.

OBSERVAÇÕES:

- Nenhuma função fica disponível sem alimentação.
- Use somente a alimentação especificada.
- Não utilize as unidades de alimentação com outro equipamento.

PARA CARREGAR A BATERIA

1 LIGUE A ALIMENTAÇÃO

Ligue o fio de alimentação de CA à tomada da parede. O indicador de energia se acende.

2 PRENDA A BATERIA

Alinhe as marcas e deslize a bateria na direção da seta, até que ela trave no lugar. O indicador CHG. se acende.

3 SOLTE A BATERIA

Quando o carregamento se completa, o indicador END se acende. Deslize a bateria na direção oposta à da seta.

BATERIA	CARGA	DESCARGA
BN-V12U	aprox. 1 h e 10 min.	aprox. 3 h e 30 min.
BN-V22U	aprox. 2 h e 10 min.	aprox. 7 h
BN-V25U	aprox. 2 h e 40 min.	aprox. 10 h

PARA UTILIZAR A BATERIA

1 PRENDA A BATERIA

Prenda sua extremidade superior à câmera e empurre a bateria até que ela trave no lugar.

2 SOLTE A BATERIA

Deslize BATT. RELEASE e puxe a bateria para fora.

BATERIA	Tempo de Gravação
BN-V12U	aprox. 1 h (35 min.)
BN-V22U	aprox. 2 h e 10 min. (1 h e 20 min.)
BN-V25U	aprox. 2 h e 50 min. (1 h e 50 min.)

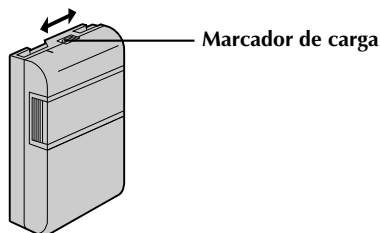
(): quando a luz de vídeo estiver acesa

**REFRESH

O adaptador de corrente CA desempenha uma função REFRESH (Atualizar) que lhe permite descarregar totalmente a bateria antes de recarregá-la.

Para descarregar a bateria . . .

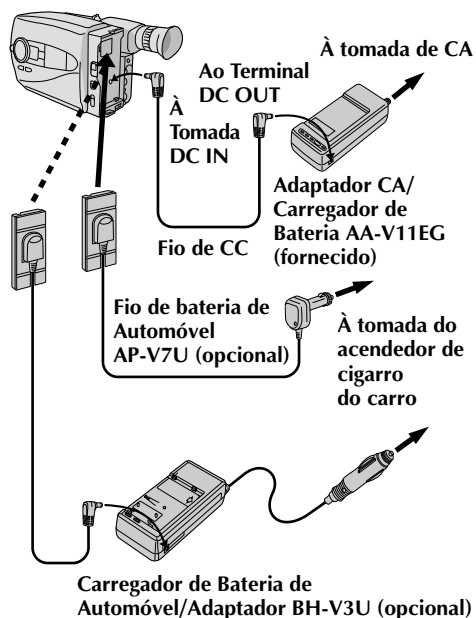
.... Prenda a bateria no adaptador da forma mostrada na ilustração à esquerda. Então empurre REFRESH. O indicador REFRESH se acende quando começa a descarga e apaga-se quando a descarga termina.

****MARCADOR DE CARGA**

A bateria vem com um marcador de carga para ajudá-lo a se lembrar se ela foi carregada ou não. Duas cores estão disponíveis (vermelho e preto)—V. escolha a que vai representar se ela está carregada ou descarregada.

OBSERVAÇÕES:

- O tempo de gravação por carga sofre interferência de fatores como o tempo utilizado no modo Gravação/Espera de Gravação e a frequência da utilização do zoom. É mais seguro manter baterias avulsas.
- O tempo de carga especificado na página 8 refere-se à bateria completamente descarregada e o tempo de descarga refere-se à bateria totalmente carregada.
- Os tempos de carga e descarga variam, dependendo da temperatura ambiente e da condição da bateria.
- Lembre-se de acertar o marcador de carga depois de carregar a bateria ou depois de tirar uma bateria descarregada de sua câmera.
- Execute a função REFRESH somente depois de 5 cargas.
- Temperaturas altas podem danificar a bateria, portanto utilize-a apenas em locais onde haja boa ventilação. Não permita que ela se descarregue em um receptáculo, como uma sacola.
- Se V. suspender a carga ou a descarga antes de completá-las, certifique-se de retirar a bateria antes de desligar o fio do adaptador de CA.
- Retire a bateria do adaptador imediatamente após descarregá-la.
- Para evitar interferência na recepção, não utilize o Adaptador CA/Carregador perto de um rádio.
- Certifique-se de desligar o fio de CC antes de carregar ou descarregar a bateria.
- O indicador CHG. piscando significa que a bateria se aqueceu. Espere até que ela se resfrie para prosseguir.
- O indicador CHG. pode não se acender adequadamente com uma bateria recém-comprada, ou com uma bateria que foi guardada por longo período. Neste caso, retire e fixe de novo a bateria e recarregue-a. O indicador CHG. deve se acender durante a recarga. Se não se acender, consulte o seu representante JVC mais próximo.

**PARA USAR A BATERIA DE AUTOMÓVEL**

Utilize o Fio de Bateria de Automóvel opcional ou o Carregador de Bateria de Automóvel. (Conecte-o da forma mostrada na ilustração à esquerda.)

OBSERVAÇÕES:

- Quando utilizar a bateria de automóvel, deixe o motor do carro em marcha lenta.
- Pode-se também usar o Carregador de Bateria de Automóvel opcional (BH-V3U) para carregar a bateria.
- Quando utilizar o Carregador de Bateria de Automóvel opcional ou o Fio de Bateria de Automóvel (AP-V7U), consulte o respectivo manual de instruções.

PARA USAR CORRENTE CA

Utilize o Adaptador CA (conecte-o da forma mostrada na ilustração à esquerda).

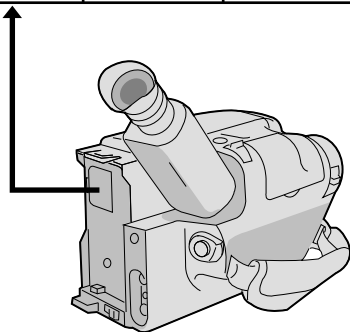
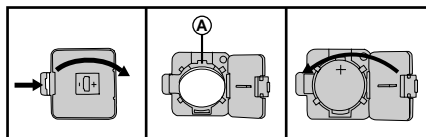
OBSERVAÇÃO:

O Adaptador de Corrente CA/Carregador executa seleção automática de voltagem na faixa de 110V a 240V.



10_{PO}

PREPARATIVOS (cont.)



Inserção/Remoção da Bateria (de Lítio) do Relógio

Esta bateria é necessária para a operação do relógio e para realizar os ajustes de data/hora.

1 DESLIGUE A ALIMENTAÇÃO

Desligue a alimentação da unidade e retire a unidade de alimentação.

2 ABRA A TAMPA

Abra a tampa do compartimento da bateria do relógio, pressionando a lingüeta de liberação.

3 REMOVA A BATERIA (na substituição)

Introduza um objeto pontudo, não-metálico entre a bateria e o compartimento (A) e retire-a.

4 INTRODUZA A BATERIA

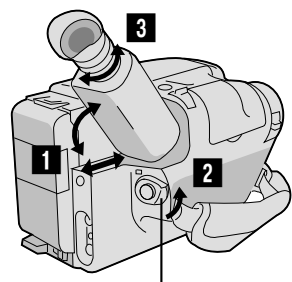
Certificando-se de que o sinal (+) está para cima, introduza a bateria de lítio fornecida e empurre-a para dentro.

5 FECHÉ A TAMPA

Feche a tampa do compartimento até que se encaixe com um clique no lugar.

OBSERVAÇÃO:

Veja "AVISOS DE SEGURANÇA" (☞ pág. 2) para informações sobre o manuseio seguro das baterias de lítio.



Ajuste POWER para "CAMERA".

Ajuste do Visor

1 POSICIONE O VISOR

Ajuste o visor manualmente, de forma a ter uma melhor visibilidade (veja ilustração à esquerda).

2 SELECIONE O MODO

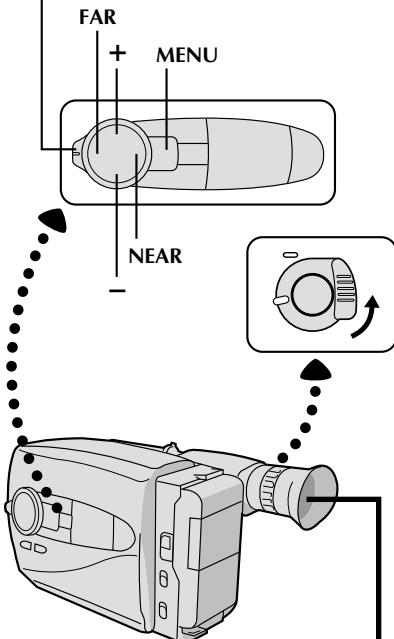
Ajuste a chave de alimentação para CAMERA.

3 AJUSTE A DIOPTRIA

Gire o controle de ajuste de dioptria até que as indicações no visor estejam nitidamente focadas.



Seletor de modo de filmar



Tela do menu principal

Shift Zoom	OFF
Tele Macro	OFF
Gain Up	AGC
Color Filter	NOR.
Tape Length	T30
Title	
Date/Time	
Sub Menu	

Tela de acerto de Data/Hora

JAN	1.00	AM 12:00
Set		
Cancel		

Data
Mês/Dia/Ano

Hora
Indicação de 12 horas
com AM ou PM

Para Acertar Data/Hora

1 SELECIONE O MODO

Coloque a chave de Alimentação em "CAMERA" e o seletor de Modo de Filmar em "PRESET".

2 ACSESSE A TELA DE MENU PRINCIPAL

Aperte MENU.

3 SELECIONE A FUNÇÃO

Aperte - para mover a barra de destaque para baixo, até "Date/Time" e então aperte NEAR. A tela do Acerto de Data/Hora aparece.

4 ACERTE A DATA/HORA

Aperte FAR ou NEAR até que o item que V. deseja acertar comece a piscar, então aperte + ou - até aparecer o ajuste correto.

- Se V. decidir que quer retornar a data e a hora para os ajustes anteriores, aperte NEAR ou FAR para mover a barra de destaque até "Cancel" (Cancelar) e então aperte MENU.
- Se estiver satisfeito com os ajustes, vá para o passo 5.

5 INICIE O FUNCIONAMENTO DO RELÓGIO

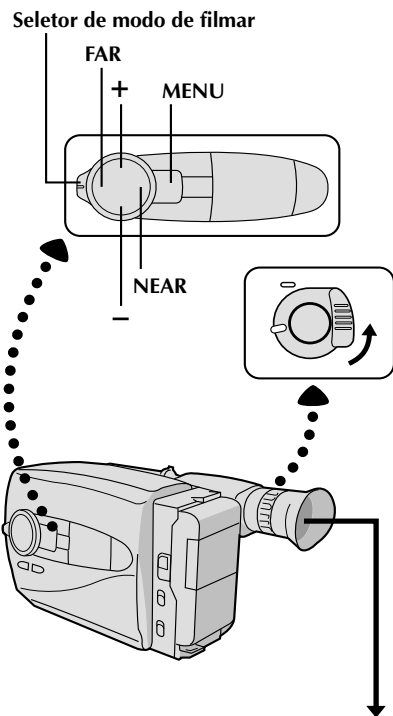
Quando V. tiver acertado mês, dia, ano e hora, aperte FAR ou NEAR, até "Set" (Ajustar) começar a piscar e então aperte MENU. A tela do Menu Principal reaparece.

6 FECHUE O MENU PRINCIPAL

Aperte MENU.

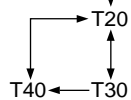
OBSERVAÇÕES:

- Para exibir a data e a hora no visor e na TV conectada, veja "Inserção de Data/Hora" (☞ pág. 20).
- Se no passo 4 V. registrar uma data inválida (FEB 30, JUN 31, etc.) e executar o passo 5, aparece "Input Error" (Erro de Registro) piscando na parte de baixo da tela. Aperte +, -, FAR ou NEAR, para fazer o dia piscar e registre o número correto.



Tela do menu principal

Shift Zoom	OFF
Tele Macro	OFF
Gain Up	AGC
Color Filter	NOR.
Tape Length	T40
Title	
Date/Time	
Sub Menu	



Para Ajustar o Comprimento da Fita

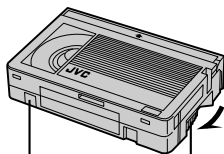
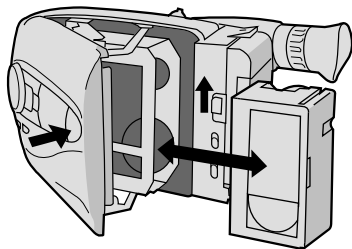
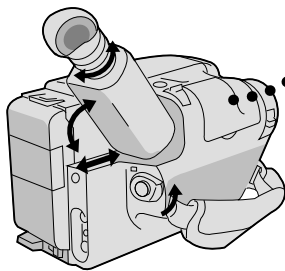
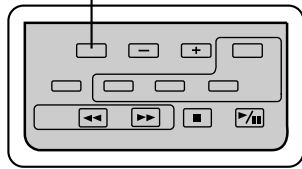
- 1 SELECIONE O MODO**
Coloque a chave da Alimentação em "CAMERA" e o seletor de Modo de Filmar em "PRESET".
- 2 ACESSE A TELA DE MENU PRINCIPAL**
Aperte MENU.
- 3 SELECIONE A FUNÇÃO**
Aperte + ou - para mover a barra de destaque para "Tape Length" (Comprimento da Fita).
- 4 AJUSTE O COMPRIMENTO DA FITA**
Aperte FAR ou NEAR para circular até aparecer o ajuste correto (dependendo da fita usada). T20 = 20 minutos de tempo de gravação, T30 = 30 min. e T40 = 40 min. (quando se grava no modo SP).
- 5 FECHER O MENU PRINCIPAL**
Aperte MENU.

OBSERVAÇÃO:

O tempo restante da fita (☞ pág. 16) exibido no visor só é correto se o comprimento correto da fita tiver sido selecionado.



SP/EP



Proteção contra Apagamento

Gire para eliminar a folga.

Engrenagem

Para Ajustar o Modo de Gravação

- 1 Apertar **SP/EP** faz alternar o ajuste entre SP (Reprodução Padrão – oferece qualidade superior de imagem e som, melhor para copiar) e EP (Reprodução Estendida – mais econômica, gravando a 1/3 da velocidade SP).

OBSERVAÇÃO:

Se o modo de gravação, for mudado durante a gravação, a imagem da reprodução ficará borrada no ponto da mudança.

Para Colocar/Retirar a Fita

- 1 **ABRA O COMPARTIMENTO DA FITA**
Deslize EJECT até o compartimento se abrir. Não force para abrir.
- 2 **COLOQUE/RETIRE A FITA**
Certifique-se de que a etiqueta está virada para fora.
- 3 **FECHE O COMPARTIMENTO DA FITA**
Aperte PUSH e certifique-se de que o compartimento está fechado e travado.

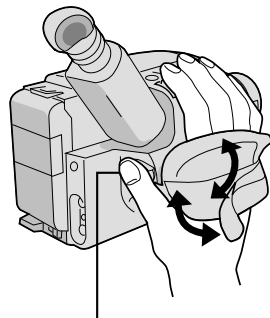
OBSERVAÇÕES:

- O compartimento da fita não pode ser aberto se o equipamento não estiver ligado.
- Certifique-se de que não há folga na fita quando for colocá-la. Se houver alguma folga, gire a engrenagem da fita no sentido da seta para esticá-la.
- Certifique-se de que a Proteção contra Apagamento está no lugar. Se não, cubra a abertura com fita adesiva. (Algumas fitas têm lingüetas deslizantes. Neste caso, verifique a posição da lingüeta.)



14_{PO}

PREPARATIVOS (cont.)



Botão Iniciar/Parar Gravação

Ajuste da Empunhadura

AUMENTE A TIRA

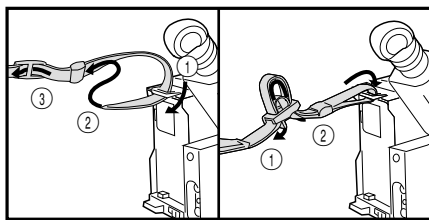
- 1 Separe a tira de Velcro.

PASSE A MÃO

- 2 Passe a sua mão direita pela alça e segure a empunhadura.

AJUSTE O COMPRIMENTO DA TIRA

- 3 Ajuste o comprimento da tira de modo que seu polegar e seus dedos possam manipular facilmente o botão Iniciar/Parar Gravação e a chave do Zoom. Recoloque a tira de Velcro.



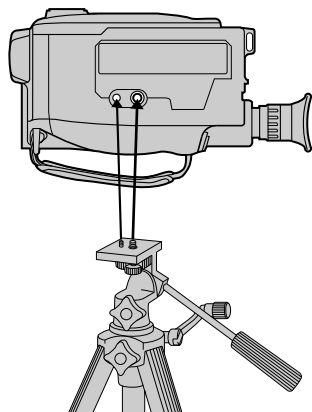
Prender a Alça do ombro

PRENDA A ALÇA

- 1 Seguindo a ilustração à esquerda, passe a alça por cima do passador ① e então dobre-a para trás e enfie-a pela presilha ② e então pela fivela ③. Repita o procedimento para prender a outra extremidade da tira no outro passador, certificando-se de que a fita não fique torcida.

AJUSTE O COMPRIMENTO

- 2 Ajuste da forma mostrada na ilustração à esquerda ① e então deslize ambas as presilhas de modo a ficarem bem juntas dos passadores, para evitar que escorreguem ②.



Montagem do Tripé

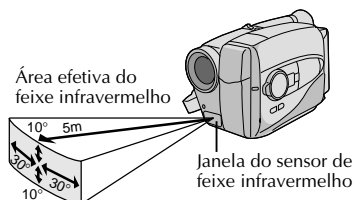
ALINHE E APERTE

- 1 Alinhe o parafuso e o pino guia de direcionamento da câmera do tripé com o suporte de fixação da câmera e o orifício guia. Então aperte o parafuso com firmeza.

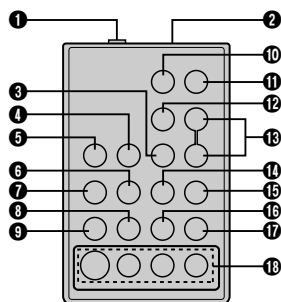


Como Usar a Unidade de Controle Remoto RM-V706U

O MBR (Remoto Multimarca) RM-V706U de função total pode operar esta câmera a distância, bem como realizar as operações básicas (PLAY, STOP, PAUSE, FF e REW) do seu videocassete. Esta unidade de controle remoto é útil quando V. copia da câmera para o seu videocassete e possibilita funções adicionais de gravação.



O feixe transmitido pode não ser efetivo ou pode provocar mau funcionamento quando a janela do sensor de feixe infravermelho estiver diretamente exposta à luz solar ou iluminação muito forte.



Para Colocar a Bateria

1 PUXE O SUPORTE DA BATERIA PARA FORA

Puxe enquanto desliza o orifício de trava.

2 COLOQUE A BATERIA

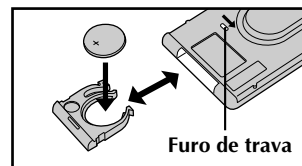
Certificando-se de que o sinal mais (+) está para cima, coloque a bateria de lítio (CR2025) no suporte da bateria.

3 RECOLOQUE O SUPORTE DA BATERIA

Introduza o suporte da bateria na unidade de controle remoto e empurre o suporte até que ele se encaixe com um clique no lugar.

OBSERVAÇÃO:

Leia o aviso sobre as baterias de lítio (☞ P. 2).

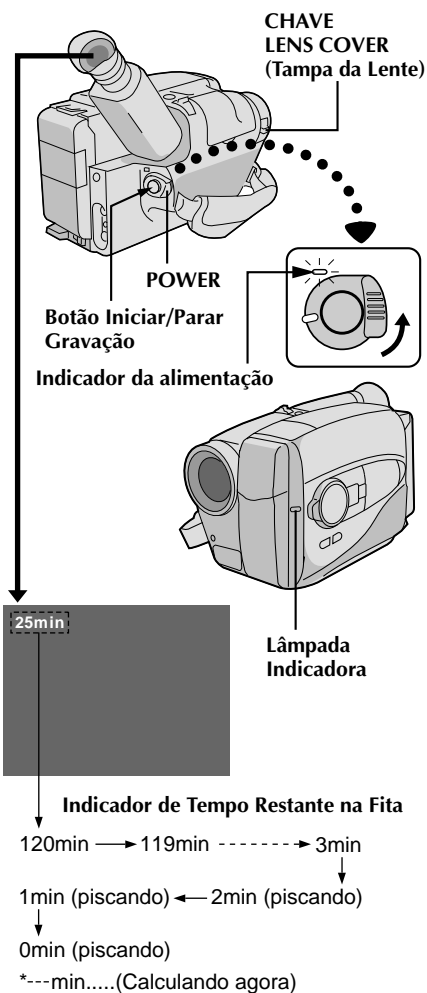


Botões	Funções	
	Com a chave de alimentação da câmera ajustada para "CAMERA".	Com a chave de alimentação da câmera ajustada para "PLAY".
1 Conector PAUSE IN	—	(☞ pág. 42)
2 janela transmissora do feixe de infravermelho	Transmite o sinal do feixe.	
3 Botão MBR SET	—	(☞ pág. 41)
4 Botão INT. TIME	Temporizador Automático/Intervalo de tempo (☞ pág. 34, 35)	—
5 Botão REC TIME	Animação/Intervalo de tempo (☞ pág. 35)	—
6 Botão FF	Retomar (avançar) (☞ pág. 18)	Busca Rápida Para Frente/Avanço Rápido (☞ pág. 38)
7 Botão REW	Retomar (rebobinar)/Revisão Rápida (☞ pág. 17)	Rebobinar/Busca Rápida para Trás (☞ pág. 38)
8 Botão PAUSE	—	Pausa/Reprodução (☞ pág. 38)
9 Botão PLAY	—	Início da reprodução (☞ pág. 38)
10 Botão SNAPSHOT	Funciona da mesma maneira que o botão SNAPSHOT da câmera (☞ pág. 21).	—
11 Botão START/STOP	Funciona da mesma maneira que o botão Iniciar/Parar Gravação da câmera.	—
12 Botão VISS	Marcação de código de índice (☞ pág. 18)	—
13 Botões ZOOM (T/W)	Zoom positivo e negativo (☞ pág. 17)	—
14 Botão VCR CTL	—	(☞ pág. 41)
15 Botão A.DUB	—	Dublagem de áudio (☞ pág. 45)
16 Botão STOP	—	Parar (☞ pág. 38)
17 Botão INSERT	—	Edição com Inserção (☞ pág. 44)
18 Botão R.A.EDIT	—	(☞ pág. 42)



16_{PO}

GRAVAÇÃO Gravação Básica



OBSERVAÇÃO:

Você já deverá ter executado os procedimentos listados abaixo. Se não o fez, execute-os antes de prosseguir.

- Alimentação (☞ pág. 8)
- Ajuste do Comprimento da Fita (☞ pág. 12)
- Ajuste do modo de gravação (☞ pág. 13)
- Ajuste da Empunhadora (☞ pág. 14)

1 COLOQUE A FITA

Deslize EJECT para abrir o compartimento do cassette e então introduza a fita com a etiqueta virada para fora. Aperte PUSH para garantir que o compartimento está fechado e travado.

2 ENTRE NO MODO ESPERA DE GRAVAÇÃO

Deslize a chave de abrir/fechar LENS COVER e então ajuste a chave da alimentação para "CAMERA".

- O indicador de alimentação se acende e a câmera entra no Modo Espera de Gravação.
- A cena focalizada aparece na tela do visor, com a palavra "PAUSE" superposta a ela.

3 COMECE A FILMAR

Aperte o botão Iniciar/Parar Gravação.

- A lâmpada indicadora acende-se enquanto a gravação está em andamento e aparece "REC" no visor.
- Se quiser desligar a lâmpada indicadora, veja a página 31.

4 PARE A GRAVAÇÃO

Aperte de novo o botão Iniciar/Parar Gravação.

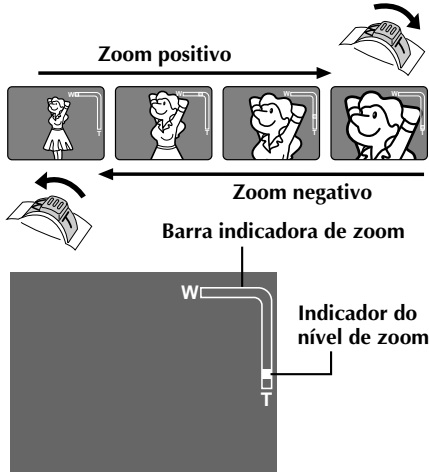
- A câmera entra de novo no modo Espera de Gravação.

OBSERVAÇÃO:

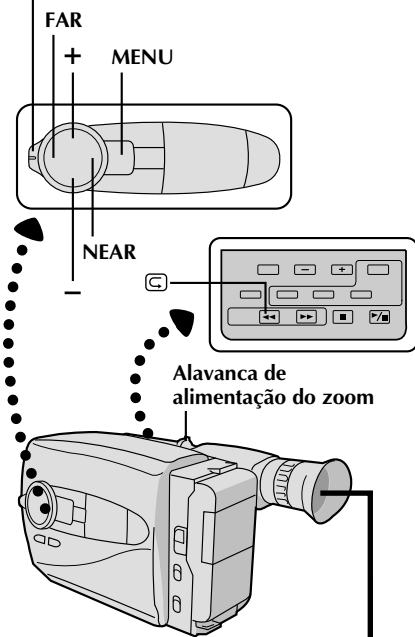
- O compartimento da fita não pode ser aberto se o equipamento não estiver ligado.
- Pode haver demora depois que V. desliza EJECT até o compartimento se abrir. Não force a abertura.
- O tempo remanescente da fita é exibido no visor, conforme é mostrado.
- O tempo de fita restante é aproximado.
- O tempo exigido para calcular o tempo restante da fita e a precisão do cálculo podem variar, dependendo do tipo de fita usada.
- O tempo restante da fita mostrado no visor só é correto se o comprimento correto da fita tiver sido selecionado (☞ pág. 12).
- A indicação "TAPE END" (fim da fita) aparece quando ela chega ao fim e a alimentação desliga-se automaticamente se permanecer nesta condição por 5 minutos. "TAPE END" também aparece quando uma fita que já está no final é colocada.
- Se o modo de Gravar-Espera continuar por 5 minutos sem executar Zoom ou qualquer outra operação, a alimentação da câmera se desliga automaticamente. Ajuste a chave de Alimentação para "POWER OFF" (Alimentação Desligada) e então de volta para "CAMERA" para ligar novamente a câmera.
- Se V. estiver gravando uma fita a partir da metade, utilize a função RETAKE (☞ pág. 18) para encontrar o fim da última gravação, de forma a não apagar nenhuma parte dela.
- O aviso da tampa da lente (LENS COVER) pisca por 8 segundos, aproximadamente, quando a câmera for ligada, quer a tampa esteja fechada.



GRAVAÇÃO Características Básicas



Seletor de modo de filmar



Tela do menu principal

Shift Zoom	◆ 50x
Tele Macro	OFF
Gain Up	AGC
Color Filter	NOR.
Tape Length	T30
Title	
Date/Time	
Sub Menu	

Característica:
Objetivo:

Operação:

Zoom

Para produzir efeito do zoom negativo/positivo, ou uma mudança instantânea na ampliação da imagem.

Hiperzoom de 28X

Um circuito digital duplica a ampliação máxima de 14x oferecida pelo zoom óptico.

- 1) Para dar zoom positivo, deslize a Alavanca de Zoom até "T".
- 2) Para dar zoom negativo, deslize até "W".

Shift Zoom

Pelo processamento e ampliação digital das imagens, é possível dar zoom de 5-14 vezes o limite de zoom óptico até um máximo de ampliação de 140x.

- 1) Ajuste o Seletor de Modo de Filmar para "PRESET" e aperte MENU para ter acesso à tela de Menu Principal.
- 2) Aperte + ou - para mover a faixa de destaque para "Shift Zoom."
- 3) Aperte FAR ou NEAR para ajustar a ampliação. "50x" amplia imagens de grande angular até aproximadamente 3,6 vezes o tamanho original e permite dar zoom na faixa de 18x - 50x. "140x" amplia imagens com grande angular até aproximadamente 10 vezes o tamanho original e permite dar zoom de 50x até 140x. Para desativar o Shift Zoom, ajuste-o para "OFF". "140x" é útil quando V. quer confirmar letras ou números à distância.
- 4) Aperte MENU para fechar a tela de Menu Principal.

Observações:

- Durante o Hiperzoom, a velocidade aumenta à medida que V. desliza a Alavanca de Zoom para mais longe.
- A focalização pode ficar instável durante o Hiperzoom. Neste caso, ajuste o zoom durante a Espera de Gravação, ajuste o foco manual ou a Trava de Foco (págs. 24, 25) e então dê um zoom positivo ou negativo no modo Gravar.
- O Indicador de Nível de Zoom (■) só muda durante o zoom óptico. A partir do momento em que o indicador alcança o "T", toda ampliação desse ponto em diante se faz por meio de processamento digital.
- Durante o processamento digital de imagem, a qualidade da imagem pode se alterar.

Característica:
Objetivo:

Operação:

Revisão Rápida

Para verificar o final da última gravação.

- 1) Aperte "G" e solte rapidamente durante o modo Espera de Gravação.
 - A fita rebobina-se por aproximadamente 2 segundos e reproduz-se automaticamente e então dá uma pausa no modo Espera de Gravação para a próxima tomada.

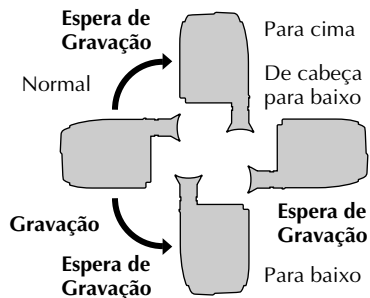
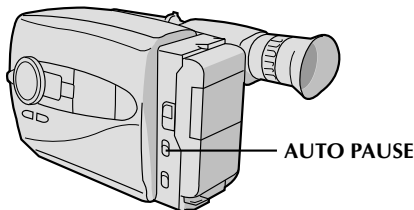
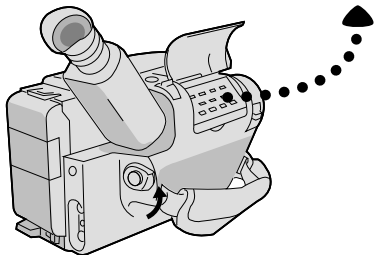
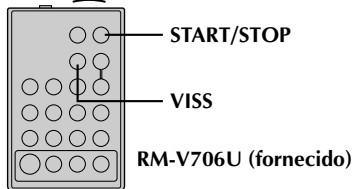
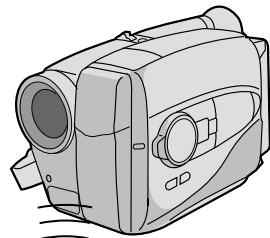
Observação:

Podem ocorrer distorção no início da reprodução. Isso é normal.

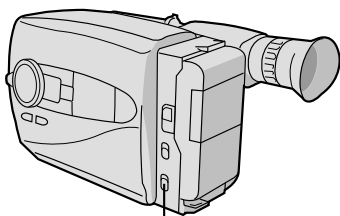


18_{PO}

GRAVAÇÃO Gravação Básica (cont.)



<p>Característica:</p> <p>Objetivo:</p> <p>Operação:</p> <p>Observação:</p>	<p>Código de Marcação de Índice</p> <p>Para V. ter acesso automático a qualquer ponto selecionado de uma gravação. Ficam disponíveis a Marcação Automática e a Marcação Manual.</p> <p><i>Marcação Automática</i></p> <p>É marcado um código de índice para iniciar a primeira gravação depois de se colocar uma fita, contanto que a chave de Alimentação esteja ajustada para "CAMERA".</p> <p><i>Marcação Manual</i></p> <p>1) Aperte VISS uma vez para posicionar o código de índice. INDEX pisca no visor durante a marcação.</p> <p><i>Observação:</i> Se for pressionado VISS durante o Modo Espera de Gravação, a marca será colocada onde START/STOP foi pressionado.</p>
<p>Característica:</p> <p>Objetivo:</p> <p>Operação:</p> <p>Observação:</p>	<p>Retomar</p> <p>Para regravar certos segmentos.</p> <p>1) Certifique-se de que a câmera está no modo Espera de Gravação.</p> <p>2) Aperte um dos dois botões RETAKE para alcançar o ponto de início da nova gravação.</p> <p>3) Aperte Iniciar /Parar Gravação para iniciar a gravação.</p> <p><i>Observação:</i> Pode ocorrer ruído durante o Retomar. Isso é normal.</p>
<p>Característica:</p> <p>Objetivo:</p> <p>Operação:</p> <p>Observações:</p>	<p>Sistema de Pausa Automática</p> <p>Para parar automaticamente a gravação quando a câmera é apontada para baixo, evitando filmar acidentalmente o chão, seus pés, etc.</p> <p>1) Ajuste AUTO PAUSE para "ON".</p> <p>Quando a câmera é inclinada para baixo, num ângulo grande a partir da sua posição horizontal durante a gravação, o modo Espera de Gravação ativa-se automaticamente. Aparece "AUTO PAUSE" no visor.</p> <ul style="list-style-type: none"> • O sistema de Pausa Automática também funciona quando a câmera é apontada para cima, ou posicionada de cabeça para baixo. • A Pausa Automática também funciona quando a câmera é girada num ângulo grande para a direita ou esquerda. • Quando quiser filmar numa das posições acima mencionadas, certifique-se de que ajustou AUTO PAUSE para "OFF".



LIGHT ON/AUTO/OFF

Luz de Vídeo

Quando a luz natural for muito fraca, V. poderá clarear a cena usando a lâmpada interna de vídeo.

1 AJUSTE DA LUZ DE VÍDEO

Ajuste **LIGHT ON/AUTO/OFF** de acordo com a necessidade.

ON : Mantém a lâmpada sempre acesa enquanto a câmera estiver ligada.

AUTO : Liga automaticamente a lâmpada quando a câmera detectar iluminação insuficiente sobre o objeto.

OFF : Desliga a lâmpada.

- A lâmpada de vídeo pode ser usada com a alimentação da câmera ligada.
- É recomendável ajustar o equilíbrio de branco no modo interior (☞ pág. 23) (☼) quando se utilizar a lâmpada de vídeo.
- Quando não estiver usando a lâmpada de vídeo, desligue-a para economizar a bateria.

Observações:

- Mesmo que não apareça a indicação de aviso da bateria (☐) no visor, se a carga da bateria estiver fraca, a câmera poderá se desligar automaticamente quando V. ligar a lâmpada de vídeo, ou quando iniciar a gravação com a lâmpada de vídeo ligada.
- Quando **LIGHT ON/AUTO/OFF** estiver ajustada em "AUTO":
 - Dependendo das condições da iluminação, a lâmpada de vídeo pode não ser apagada ou acesa de maneira estável. Neste caso, acenda ou apague a luz de vídeo utilizando a chave **LIGHT ON/AUTO/OFF**.
 - Enquanto o modo Esportes ou Obturador de Alta Velocidade (☞ pág. 27) estiver ativado, a luz permanece no modo correspondente.
 - Quando o modo Crepúsculo (☞ pág. 27) estiver ativado, a lâmpada não se acende.

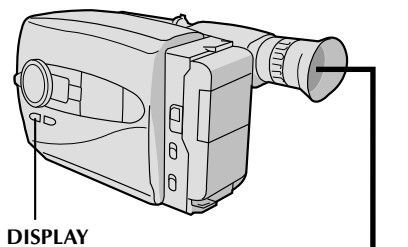
AVISOS

- A lâmpada de vídeo fica extremamente quente. Não toque nela nem durante a operação nem logo após desligá-la, caso contrário poderá sofrer ferimentos sérios.
- Não coloque a câmera na sacola imediatamente após usar a lâmpada de vídeo, pois ela permanece extremamente quente.
- Quando operar, mantenha uma distância de aproximadamente 30 cm entre a lâmpada do vídeo e as pessoas ou objeto.
- Não use perto de materiais inflamáveis ou explosivos.
- Recomenda-se consultar o representante JVC mais próximo para substituir a lâmpada.

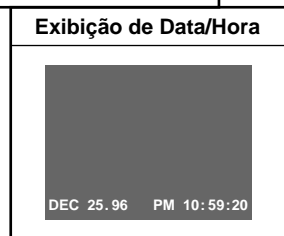
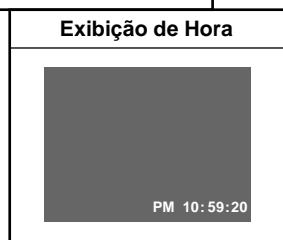
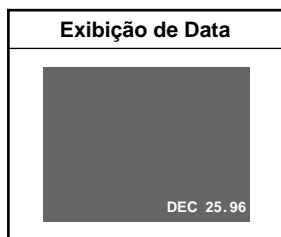
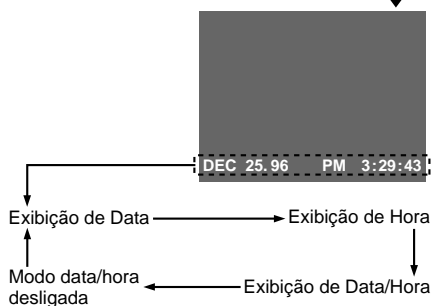


20_{PO}

GRAVAÇÃO Funções Avançadas



DISPLAY



Inserção de Data/Hora

Esta característica permite que V. exiba a data e a hora no seu visor e na TV conectada.

OBSERVAÇÃO:

V. já deverá ter realizado os procedimentos de Ajustes de Data/Hora (☞ pág. 11). Se ainda não, faça-os antes de prosseguir.

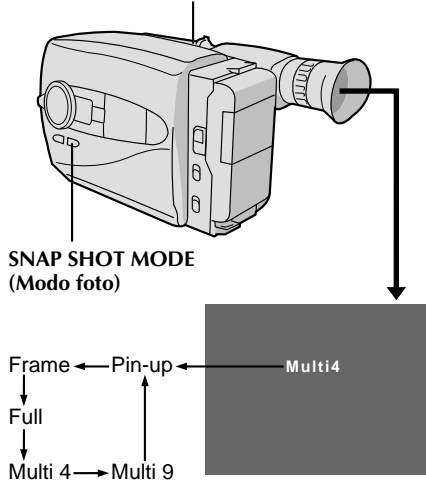
EXIBIÇÃO

1 ESCOLHA O MODO DE EXIBIÇÃO

1 Aperte **DISPLAY** durante o modo Espera de Gravação para circular pelos modos disponíveis, da forma mostrada na ilustração à esquerda.

OBSERVAÇÕES:

- O modo de exibição pode ser gravado.
- Se não quiser gravar a exibição, selecione o modo Data Desligada antes de filmar.
- Se quiser excluir a exibição durante a filmagem, aperte **DISPLAY**.
- Se quiser chamar de volta uma exibição excluída, ative o modo Espera de Gravação e então aperte **DISPLAY** para selecionar o modo de exibição desejado.

**SNAP SHOT (Foto)**

Pin-Up (Foto)
Imagem fixa sobre fundo azul. A imagem tem bordas brancas e é acrescentado um efeito de sombra, dando uma sensação de dimensão .

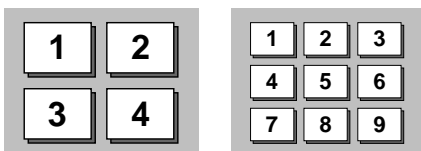


Frame (Moldura)
Grava-se uma imagem fixa com uma borda branca.



Full (Total)
Grava-se uma imagem fixa que ocupa o campo inteiro da imagem.

Multi-Analyzer 4/Multi-Analyzer 9
(Multianalisador 4/Multianalisador 9)



Grava imagens múltiplas em uma cena (4 ou 9 de uma vez). As imagens aparecem e são armazenadas nesta ordem: 1, 2, 3, 4 (5, 6, 7, 8, 9 no Multianalisador 9). No modo Acionamento por Motor, após o "9", a próxima imagem a ser gravada será "1", e o ciclo se repetirá.

Foto

Esta característica interessante permite que V. grave vários tipos de imagens digitais fixas que parecem (e soam) como fotografias. É um recurso ótimo para tornar mais interessantes as gravações de eventos como festas, casamentos e formaturas.

1**SELECIONE O MODO FOTO**

Aperte o **SNAP SHOT MODE** para circular pelos modos, da forma mostrada na ilustração à esquerda. Quando o modo desejado aparecer, ele é selecionado e ativado e seu indicador aparece dentro de 2 segundos.

2**EXECUTE A GRAVAÇÃO DA FOTO**

Aperte **SNAP SHOT**.

Se V. apertar durante a gravação . . .

.... exibe-se e grava-se uma imagem fixa no modo selecionado e então a câmera retoma a gravação normal. Nos modos Total e Moldura, a nova imagem aparece gradualmente como um todo. Nos modos Pin-Up e Multianalisador, a nova imagem aparece gradualmente a partir do centro.

Se V. apertar durante a ESPERA DE GRAVAÇÃO . . .

.... grava-se e exibe-se uma imagem fixa no modo selecionado e então a câmera entra novamente no modo Espera de Gravação.

Função Acionamento por Motor**1****SELECIONE O MODO FOTO**

Selecione como no passo 1 acima.

2**ATIVE O ACIONAMENTO POR MOTOR**

Durante a gravação como Foto, aperte e mantenha pressionado **SNAP SHOT**. V. pode tirar fotos rápidas com intervalos de aproximadamente 0,7 segundos entre os congelamentos.

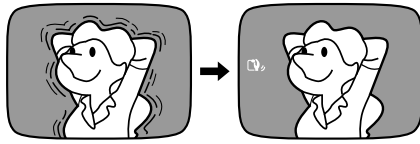
OBSERVAÇÕES:

- A exibição de Data/Hora desaparece durante a gravação no Foto.
- A função Acionamento por Motor não pode ser ativada através do botão **SNAP SHOT**, na unidade de controle remoto RM-V706U (fornecida).
- Quando se ativa o Multianalisador, o som do obturador pode não combinar com a aparição das imagens.



22_{PO}

GRAVAÇÃO Funções Avançadas (cont.)



Estabilizador Digital de Imagem

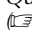
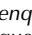
Esta característica compensa as imagens instáveis provocadas por tremor da câmera, notado particularmente em ampliações muito altas.

1 ATIVE O D.I. STABILIZER

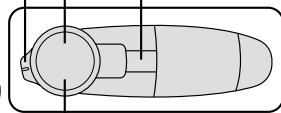
1 Aperte **D.I.STABILIZER**. Aparece “” no visor.

- Para desligar o Estabilizador Digital de Imagem, aperte **D.I.STABILIZER**. O indicador desaparece.

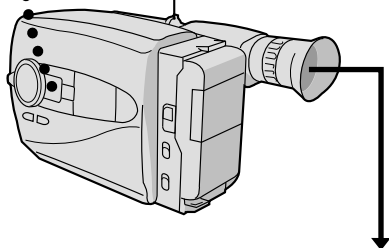
OBSERVAÇÕES:

- A estabilização precisa pode não ser possível, se o tremor da mão for excessivo, ou sob as seguintes condições:
 - Quando se filmam assuntos com listras verticais ou horizontais
 - Quando se filmam assuntos escuros/opacos
 - Quando se filmam assuntos com iluminação excessiva por trás
 - Quando se filmam cenas com movimento em várias direções
 - Quando se filmam cenas com fundo de baixo contraste
- Quando a função Obturador Lento está ativada ( pág. 27), o Estabilizador Digital de Imagem (DIS) não pode ser utilizado. Se V. tentar ativar esta função enquanto o DIS estiver ativado, “” pisca, avisando que o DIS foi desativado.
- Desligue DIS quando gravar com a câmera sobre um tripé.

Seletor do Modo de Filmar
+
D.I. STABILIZER
(Estabilizador Digital de Imagem)



Chave de alimentação do zoom



Visor

Indicador do D.I.S
(Estabilizador Digital de Imagem)



Indicador do Nível de Exposição

Para clarear a imagem



Para escurecer a imagem

Controle de Exposição

Esta característica ajusta automaticamente a íris para proporcionar a melhor qualidade de imagem disponível, mas V. pode anulá-la e fazer o ajuste manualmente.

1 SELECIONE O MODO DE FILMAR

1 Coloque o seletor do Modo de Filmar em “PRESET”.

2 CLAREIE A IMAGEM

2 Aperte + (máximo de +06). O indicador do nível de Exposição aparece no visor.

OU ...

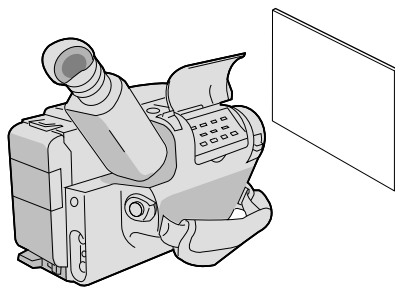
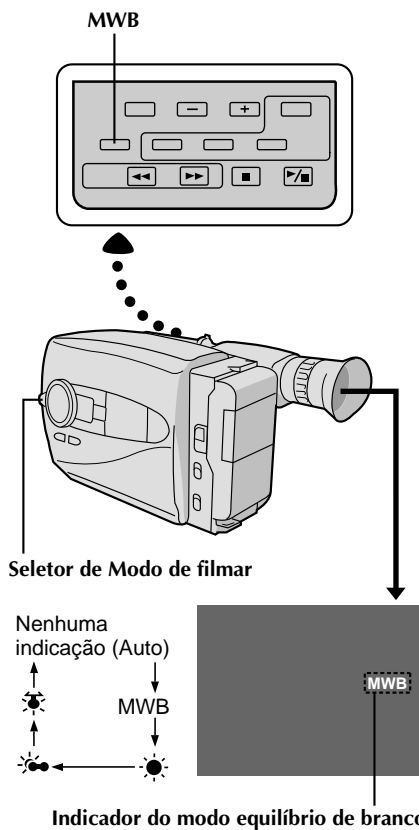
ESCUREÇA A IMAGEM

Aperte - (máximo de -06). O indicador do nível de Exposição aparece no visor.

Quando quiser retornar para o ajuste de fábrica ...

3 RESTAURE O AJUSTE INICIAL

3 Aperte + e - simultaneamente. O ajuste padrão é restaurado imediatamente e o indicador de nível de Exposição desaparece.



Ajuste do Equilíbrio de Branco

Este sistema de Temperatura Automática de Cor da câmara capta a temperatura da luz do ambiente para fazer o ajuste automático do equilíbrio de branco. Entretanto, é impossível um ajuste preciso de temperatura da cor sob as seguintes condições:

- O objeto se apresenta em vários tons da mesma cor.
- Um objeto predominantemente vermelho ou marrom está sendo filmado ao ar livre.

Nestes casos, use os filtros internos da câmara para ajustar o equilíbrio de branco.

1 SELECIONE O MODO DE FILMAR

Coloque o seletor do Modo de Filmar em "PRESET".

2 SELECIONE O MODO

Aperte **MWB** (Equilíbrio Manual de Branco) até que a indicação exigida apareça no visor.

- "MWB" Com um ajuste memorizado de balanço do branco (vide abaixo)
- "☀" Ar livre em dia ensolarado
- "☁" Ar livre em dia nublado
- "💡" A fonte de luz é lâmpada de halogênio ou tungstênio.

O MWB ajusta a temperatura de cor da fonte de luz do assunto, de forma que V. possa filmar com cores naturais que não são afetadas pelo ambiente, mesmo quando houver vários assuntos com diferentes temperaturas de cor.

1 SELECIONE O MODO DE FILMAR

Coloque o seletor do Modo de Filmar em "PRESET".

2 AJUSTE O FOCO

Aponte a câmara para um objeto branco, plano, como uma folha de papel branco, por exemplo. (☞ pág. 25).

3 AJUSTE O EQUILÍBRIO DE BRANCO

Pressione **MWB** até a indicação "MWB" aparecer; então, pressione **MWB** por mais de 3 segundos.

- "MWB" pisca no visor durante o ajuste e então pára de piscar, mas fica aceso quando o ajuste termina.

OBSERVAÇÕES:

- Para trocar para o ajuste automático de equilíbrio de branco, aperte **MWB** até a indicação desaparecer, ou gire o seletor do Modo de Filmar para "FULL AUTO".
- Reajuste o modo Equilíbrio de Branco quando a iluminação mudar, quando a câmara for ligada e desligada de novo, ou quando a posição de seletor de Modo de Filmar mudar.
- Ajuda muito conectar a sua câmara a um monitor colorido quando ajustar o equilíbrio de branco. ("CONEXÕES BÁSICAS", ☞ pág. 37).
- Ao ajustar colocando-se papel colorido em frente ao objeto no passo 2 (AJUSTE O EQUILÍBRIO DE BRANCO), a unidade muda o seu padrão de temperatura de cor para o balanço do branco automático. É possível, então, filmar com diferentes cores. Por exemplo: ao ajustar com as cores vermelha, azul ou amarela, a imagem muda para as cores que se aproximam do verde, laranja e púrpura, respectivamente.



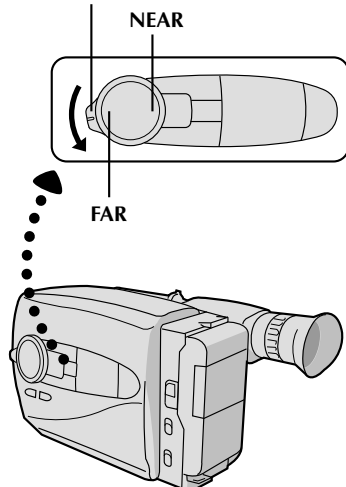
24_{PO}

GRAVAÇÃO Funções Avançadas (cont.)



Zona de detecção do foco

Seletor de Modo de filmar



OBSERVAÇÕES:

- Se a objetiva ficar manchada ou embaçada, prejudica-se a boa focalização. Mantenha-a limpa, passando um pano macio. Quando ocorrer condensação, limpe-a com um pano macio ou espere até que ela se seque naturalmente.
- Quando filmar um assunto muito próximo da objetiva, primeiro dê um zoom negativo (☞ pág. 17). Quando se dá zoom positivo no modo de foco automático, a câmera pode dar zoom negativo automaticamente, dependendo da distância entre a câmera e o assunto. *Quando Tele Macro está ativado, a câmera não dá zoom negativo automaticamente.

Para focalizar

Foco Automático

O sistema AF de Magnitude Total da câmera pode oferecer uma capacidade de filmagem contínua desde close-up até o infinito. Entretanto, pode-se não conseguir foco correto nas situações citadas abaixo. (Nestes casos, utilize o foco manual):

- Quando dois assuntos se sobrepõem na mesma cena.
- Quando a iluminação for deficiente.*
- Quando o assunto não tiver contraste (diferenças de brilho e de obscuridade), tal como uma parede plana de uma só cor, ou um céu azul claro*, por exemplo.
- Quando quase não se enxerga um objeto escuro no visor.*
- Quando a cena contiver padrões minúsculos ou idênticos que se repetem com regularidade.
- Quando a cena for afetada por raios de sol ou luz refletida por uma superfície de água.
- Quando filmar uma cena com fundo de alto contraste.

* O aviso de baixo contraste “▲▲” aparece no visor.

Trava do Foco

Esta característica permite que V. trave o foco no lugar, o que é particularmente útil nas seguintes situações:

- Quando passam coisas entre o assunto e a câmera. Ative a função trava do foco para travar seu assunto antes de iniciar a gravação.
- Quando V. quiser que o seu assunto seja focalizado e apareça em um canto da tela. Primeiro, centralize o assunto e focalize-o usando o modo foco automático. Então, ative a função trava do foco e movimente a câmera até que o assunto fique onde você deseja.

1 SELECIONE O MODO DE FILMAR

Coloque o seletor de Modo de Filmar em “PRESET”.

1

2 TRAVE O FOCO

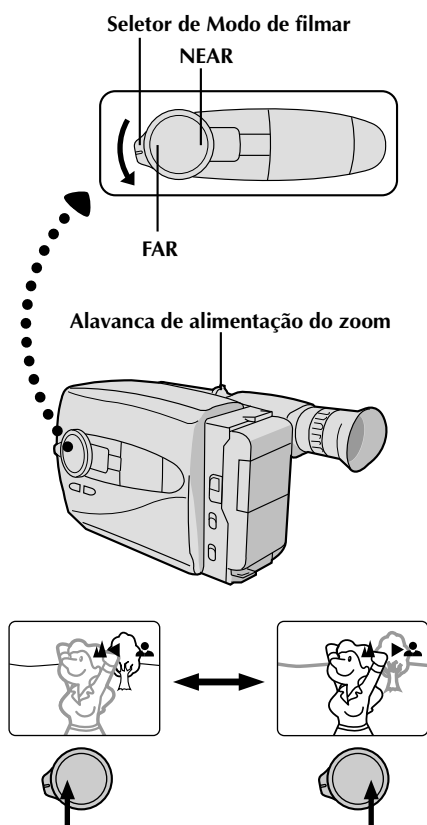
Aperte **FAR** ou **NEAR**. A indicação de trava do foco “▲▲” aparece no visor.

2

3 LIBERE A TRAVA DO FOCO

Aperte **FAR** ou **NEAR** simultaneamente. A indicação de trava do foco desaparece.

3



Foco Manual

OBSERVAÇÃO:

V. já deverá ter feito os ajustes necessários no visor (pág. 10). Se ainda não os fez, faça-os antes de prosseguir.

1 SELECIONE O MODO DE FILMAR

Coloque o seletor do Modo de Filmar em "PRESET".

2 AJUSTE O FOCO

PARA ASSUNTO MAIS DISTANTE

Aperte e mantenha pressionado **FAR**. As indicações de Foco Manual "▲▲" aparecem e "▲" pisca. Siga para o passo 3.

PARA ASSUNTO MAIS PRÓXIMO

Aperte e mantenha pressionado **NEAR**. As indicações de Foco Manual "▲▲" aparecem e "▲" pisca.

Siga para o passo 3.

3 TRAVE O FOCO

Libere **FAR** ou **NEAR**. A indicação de foco é substituída pela indicação de trava do foco "▲▲" e o foco ajustado se trava.

4 LIBERE O MODO FOCO MANUAL

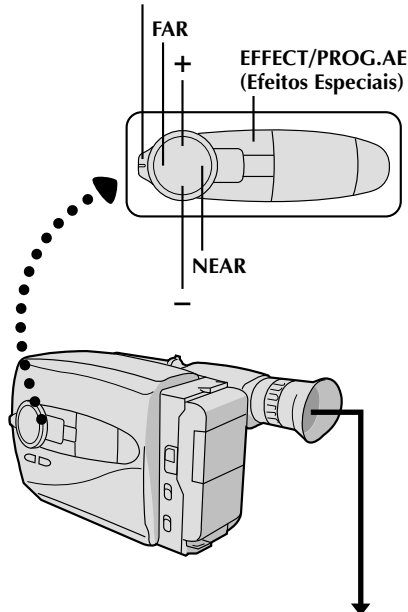
Aperte **FAR** e **NEAR** simultaneamente. O modo Foco Manual libera-se imediatamente e a indicação de trava do foco desaparece.

OBSERVAÇÕES:

- Quando usar o modo Foco Manual, certifique-se de focalizar a objetiva na posição de telefoto máxima. Se V. focalizar um determinado assunto na posição de grande angular, não será possível obter imagens nitidamente focalizadas com zoom porque a profundidade de campo diminui em distâncias focais maiores.
- Quando não for possível ajustar o foco para mais longe ou mais perto, "▲" ou "▲" piscará.



Seletor de Modo de Filmar



OFF	
1	<input type="checkbox"/> Cinema
2	<input checked="" type="checkbox"/> Sepia
3	<input type="checkbox"/> Twilight
4	<input type="checkbox"/> Sports
5	<input type="checkbox"/> Hi.S 1/2000
6	<input type="checkbox"/> Classic Film
7	<input type="checkbox"/> Strobe
8	<input type="checkbox"/> Slow Shutter

Menu de efeitos



Indicador de EFFECT/PROG. AE

Program AE Com Efeitos Especiais

Útil para tornar a imagem mais criativa e atraente. Os efeitos podem ser selecionados durante a gravação, bem como na Espera de Gravação.

1 SELECIONE O MODO DE FILMAR

Ajuste o seletor de Modo de Filmar ou para "FULL AUTO" ou para "PRESET".

Se V. ajustar para "FULL AUTO", ...

.... apenas o modo Cinema pode ser ativado.

Se V. ajustar para "PRESET", ...

.... V. pode escolher qualquer um dos 8 efeitos disponíveis.

2 SELECIONE O EFEITO

Se V. selecionar "FULL AUTO", ...

.... aperte EFFECT/PROG.AE liga e desliga o modo Cinema.

Se V. ajustar "PRESET", ...

.... aperte EFFECT/PROG.AE traz de volta o menu Efeito. Aperte novamente para mover a barra de destaque para o efeito desejado. Quando V. se decidir por um efeito, ele é selecionado e ativado e seu indicador aparece dentro de 2 segundos.

• Se V. iniciou este procedimento no modo Espera de Gravação, aperte INICIAR/PARAR GRAVAÇÃO para começar a gravar neste ponto.

3 DESATIVE O EFEITO

Quando o Seletor de Modo de Filmar está ajustado para "FULL AUTO", ...

.... aperte EFFECT/PROG.AE.

Quando está ajustado para "PRESET", ...

.... aperte EFFECT/PROG.AE para trazer o Menu de Efeitos e aperte novamente para mover a barra de destaque para "OFF".

OBSERVAÇÃO:

Quando "Shift Zoom" (☞ pág. 17) estiver ajustado para "50x" ou "140x", não se pode utilizar os efeitos de Program AE.



INDICAÇÃO	MODO	EFEITO
	CINEMA (Cinema)	Acrescenta barras pretas nas partes superior e inferior da tela para produzir o efeito tipo cinema de “tela grande de 16:9”.
	SEPIA (Sepia)	A imagem fica monocromática com um tom de sépia, criando a aparência de uma foto antiga.
	TWILIGHT (Crepúsculo)	Torna mais naturais e dramáticos os cenários de luz fraca e crepúsculo, etc. O Equilíbrio de Branco fica ajustado para “☾☼”. Aperte MWB se quiser mudar o ajuste.
	SPORTS (Esportes)	Ajusta automaticamente para uma velocidade alta do obturador (1/250 a 1/500) para captar com clareza ações de movimento rápido, com menos borrão. A clareza só é particularmente notada durante a câmera lenta ou reprodução congelada em um videocassete. Ótimo para esportes, corridas, etc.
	HI-SPEED SHUTTER (Obturador de Alta Velocidade) (1/2000)	Capta ações ainda mais rápidas que o efeito Esportes.
	CLASSIC FILM (Filme clássico)	Efeito estroboscópico que dá à imagem um efeito “tremulante” como a de um filme antigo e acrescenta barras pretas na parte superior e inferior da imagem, dando uma aparência de tela grande.
	STROBE (Estroboscópico)	Congela imagens em sucessão rápida.
	SLOW SHUTTER (Obturador lento)	Ajusta a velocidade do obturador para 1/15 s. e maximiza a sensibilidade de maneira que a câmera possa gravar assuntos praticamente no escuro. <ul style="list-style-type: none">• Utilize apenas em locais escuros.• A imagem tremula, como no efeito estroboscópico rápido.

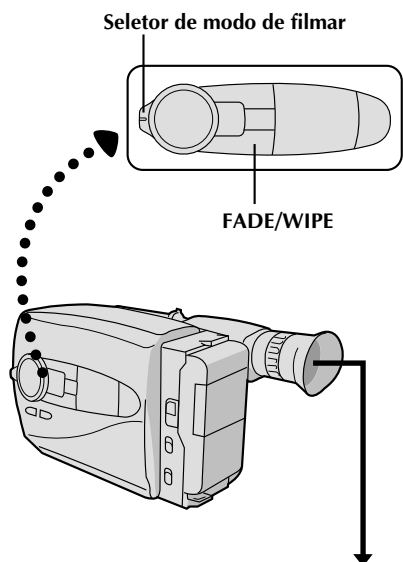
OBSERVAÇÕES:

- Quando se ativa o efeito *Sépia* ou *Filme Clássico*, apertar *MWB* (equilíbrio de branco) não produz nenhum efeito.
- Quando se ativa o *Obturador Lento*, o *Foco Automático* pode não funcionar adequadamente.
- Quando se ativa o modo *Obturador Lento*, podem surgir pontos brilhantes na tela. Isso não significa mau funcionamento da câmera.
- Certos efeitos não podem ser usados em conjunto com outras funções. Quando se seleciona um efeito que não pode ser usado na situação atual, seu indicador pisca.



28_{PO}

GRAVAÇÃO Funções Avançadas (cont.)



OFF	
1 [Bk]	Black Fader
2 [C]	Blue Fader
3 [M]	Mosaic Fader
4 [S]	Shutter Wipe
5 [L]	Slide Wipe
6 [C]	Corner Wipe
7 [P]	Dissolve
8 --	Auto Select

Menu Fade/Wipe



Indicação FADE/WIPE

Fade/Wipe

Estes efeitos permitem que V. faça transições de cena com estilo profissional.

1 SELECIONE O MODO DE FILMAR

Ajuste o seletor de Modo de Filmar ou para "FULL AUTO" ou "PRESET".

Se V. ajustar para "FULL AUTO", ...

.... apenas o modo Fader de Preto fica disponível.

Se V. ajustar para "PRESET", ...

.... V. pode escolher qualquer um dos efeitos disponíveis.

2 RESERVE O EFEITO

Se V. ajustar para "FULL AUTO", ...

.... apertar FADE/WIPE liga ou desliga o modo Fader de Preto.

Se V. ajustar para "PRESET", ...

.... apertar FADE/WIPE traz o menu Fade/Wipe. Aperte novamente para mover a barra de destaque para o efeito desejado. Quando V. tiver decidido sobre um efeito, ele é selecionado e reservado e seu indicador aparece dentro de 2 segundos.

3 INICIE A GRAVAÇÃO

Aperte INICIAR/PARAR GRAVAÇÃO para iniciar a gravação e ativar um fade-in ou wipe-in.

OU ...

FINALIZE A GRAVAÇÃO

Aperte INICIAR/PARAR GRAVAÇÃO para parar a gravação e ativar um fade-out ou wipe-out.

DESATIVE O EFEITO

4 Quando o Seletor de Modo de Filmar está ajustado para "FULL AUTO", ...

.... aperte FADE/WIPE.

Quando está Ajustado para "PRESET", ...

.... aperte FADE/WIPE para trazer de volta o menu Fade/Wipe, então aperte novamente para mover a barra de destaque para "OFF".

OBSERVAÇÕES:

- Se "Shift Zoom" (pág. 17) estiver ajustado para "50x" ou "140x", não se podem usar os fades e wipes.
- Quando o Seletor de Modo de Filmar estiver ajustado para "FULL AUTO", após um aparecer (fade-in), o Fader de Preto não fica mais reservado. Para reservá-lo para um desaparecer (fade-out), aperte FADE/WIPE. Aparece "[Bk]" no visor.

**Bk** BLACK FADER (Fader de Preto)

Aparece/desaparece em uma tela preta.

C BLUE FADER (Fader de Azul)

Aparece/desaparece em uma tela azul.

 MOSAIC FADER (Fader de Mosaico)

Transforma gradualmente a imagem em padrão de mosaico ou o padrão de mosaico em imagem.

 SHUTTER WIPE (Wipe de Obturador)

Uma tela preta se move pela parte de baixo e de cima, fechando a imagem como um obturador, ou uma nova imagem empurra a tela preta verticalmente a partir do centro. *Durante o modo Seleção Automática, a nova imagem varre a imagem antiga, e não uma tela preta.

 SLIDE WIPE (Wipe do Deslizamento)

Uma tela preta se move a partir da esquerda para cobrir gradualmente a imagem, ou uma nova imagem se move da esquerda para a direita. *Durante o modo Seleção Automática, a nova imagem varre a imagem antiga, e não uma tela preta.

 CORNER WIPE (Wipe de Canto)

Uma tela preta começa no canto inferior direito e preenche gradualmente a tela, ou uma nova imagem se forma no canto superior direito e preenche uma tela vazia. *Durante o modo Seleção Automática, a nova imagem varre a imagem antiga, e não uma tela preta.

 DISSOLVE (Dissolver)

1 Aperte o botão **INICIAR/PARAR GRAVAÇÃO**.
— A gravação começa.

2 Aperte novamente o botão **INICIAR/PARAR GRAVAÇÃO**.

- A gravação pára e o modo Espera de Gravação fica ativado.
- Agora a última cena fica armazenada na memória.

↓ Antes de a energia se desligar...

3 Aperte o botão **INICIAR/PARAR GRAVAÇÃO** para retomar a gravação.
— A cena armazenada é substituída gradualmente pela nova cena que está sendo gravada.

SCROLL WIPE (Wipe de Rolamento)

Uma nova imagem rola para cima por sobre a tela.

WINDOW WIPE (Wipe de Janela) (Apenas SELEÇÃO AUTOMÁTICA)

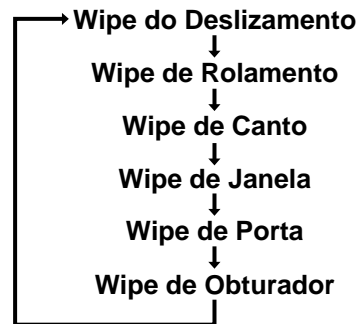
Uma nova imagem se forma a partir do centro e se movimenta em direção aos quatro cantos da tela.

DOOR WIPE (Wipe de Porta) (Apenas SELEÇÃO AUTOMÁTICA)

Uma nova imagem se abre como uma porta sobre a tela.

— — SELEÇÃO AUTOMÁTICA

Aperte **INICIAR/PARAR GRAVAÇÃO** para começar ou terminar a gravação e 6 modos de wipe-in são gerados automaticamente na ordem mostrada abaixo:



1 Aperte o botão **INICIAR/PARAR GRAVAÇÃO**.

— A gravação começa.

2 Aperte o botão **INICIAR/PARAR GRAVAÇÃO** novamente.

- A gravação pára e o modo Espera de Gravação é ativado.
- Agora a última cena é armazenada na memória.

↓ Antes de a energia se desligar...

3 Aperte o botão **INICIAR/PARAR GRAVAÇÃO** para retomar a gravação.

- A nova cena desliza sobre a cena armazenada.
- Repita os passos 2 e 3, conforme desejar.

OBSERVAÇÕES (para Dissolver e Seleção Automática):

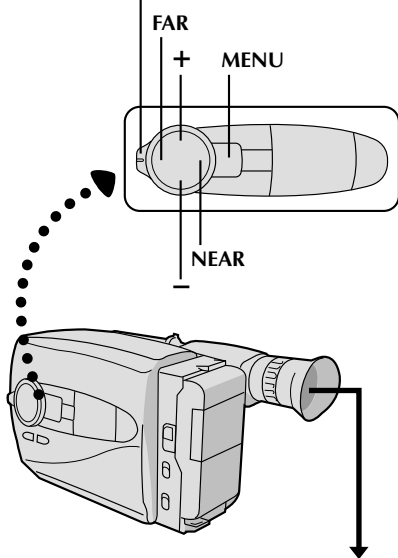
- Desligar a câmera apagará a cena armazenada na memória. Quando uma cena é apagada da memória, a indicação de símbolo pisca.
- O som da cena da última gravação não é armazenado na memória.
- Este indicador de modo pisca, a não ser que uma imagem esteja armazenada na memória. Neste caso, filme a cena primeiro.



30_{PO}

GRAVAÇÃO Funções Avançadas (cont.)

Seletor de modo de filmar

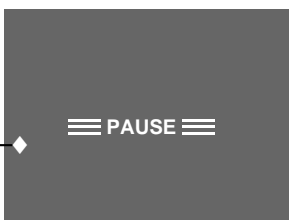


Shift Zoom	OFF
Tele Macro	OFF
Gain Up	AGC
Color Filter	NOR.
Tape Length	T30
Title	
Date/Time	
Sub Menu	

Tela do Menu Principal

Tally	ON
Interval Timer	OFF
Rec Time	OFF
JLIP ID NO.	07

Tela do Submenu



Se qualquer ajuste do Menu Principal tiver mudado dos ajustes de fábrica, esta marca aparece no visor.

Utilização do Menu Para Um Ajuste Detalhado

Esta câmera está equipada com o Controle Multifunção, um sistema de menu na tela, fácil de usar, que simplifica vários dos ajustes mais detalhados da câmera.

- 1 SELECIONE O MODO DE FILMAR**
Ajuste o seletor de Modo de Filmar para "PRESET".

- 2 ACESSE A TELA DO MENU PRINCIPAL**
Aperte MENU.

- 3 SELECIONE A FUNÇÃO**
Aperte + ou - para posicionar a barra de destaque sobre a função desejada.

- 4 FAÇA O AJUSTE**
O procedimento de ajuste depende da função que V. selecionar.
Se V. selecionar "Shift Zoom", "Tele Macro", "Gain Up", "Color Filter" ou "Tape Length", ...
.... aperte FAR ou NEAR para circular pelas alternativas até aparecer o ajuste desejado. Então vá para o passo 8.
Se V. selecionar "Title" ou "Date/Time", ...
.... aperte NEAR para acessar o menu de seleção para cada função (Title - [] pág. 32; Date/Time - [] pág. 11).
Se V. selecionar "Sub Menu", ...
.... aperte NEAR para trazer a tela de Submenu. Vá para o passo 5.

- 5 SELECIONE A FUNÇÃO NO SUBMENU**
Aperte + ou - para posicionar a barra de destaque na opção desejada e então aperte NEAR. O item selecionado começa a piscar.

- 6 MUDE OS AJUSTES**
Aperte + ou - para mudar o ajuste exibido da função selecionada, então aperte FAR para registrar a sua escolha. O item selecionado pára de piscar.

- 7 FECHER O SUBMENU**
Aperte FAR e o ajuste está completo. A tela de Submenu desaparece e a tela do Menu Principal reaparece.
• Para ir diretamente para a tela do Menu Principal, aperte MENU.

- 8 FECHER O MENU PRINCIPAL**
Aperte MENU. A tela normal reaparece.



**MENU PRINCIPAL**

Shift Zoom	OFF	Desativa a função Shift Zoom.
	◆ 50x	Amplia imagens com grande angular para aproximadamente 3,6 vezes o tamanho original e permite dar zoom na faixa de 18x – 50x.
	◆ 140x	Amplia imagens com grande angular para aproximadamente 10 vezes o tamanho original e permite dar zoom de 50x a 140x.
Tele Macro	OFF	Normalmente ajustada nesta posição.
	◆ ON	Normalmente a distância até um assunto em que a objetiva está focada depende da ampliação do zoom. A menos que haja uma distância de mais de 1 m até o assunto, a objetiva fica fora de foco no ajuste máximo de teleobjetiva. Quando ajustada em "ON", V. pode filmar um assunto no maior tamanho possível a uma distância de aproximadamente 60 cm. • Dependendo da posição do zoom, a lente pode ficar fora de foco.
Gain UP	AGC	Permite que V. grave um assunto em ambiente escuro. Ele dá uma imagem mais brilhante, embora ligeiramente menos nítida.
	◆ A _∞	(Obturador Lento Automático) Combina o AGC com a velocidade do obturador eletrônico (1/30 a 1/60) para filmar em condições de muita escuridão. Quando se filma em áreas de luz insuficiente, ou ao se filmar um assunto escuro com iluminação fraca, a unidade entrará automaticamente no modo obturador Lento Automático, reduzindo a velocidade do obturador para 1/30 s. Embora a imagem resultante seja semelhante à obtida usando-se o efeito Strobe (☞ pág. 27), a imagem será clara com menos ruído.
	◆ OFF	Permite que V. filme cenas escuras, sem nenhum ajuste de brilho.
Color Filter	NOR	Para filmagem normal sem nenhum ajuste de cor.
	◆ RED	Dá um tom avermelhado.
	◆ BLUE	Dá um tom azulado.
Tape Length	Permite que V. ajuste o comprimento da fita, dependendo da fita usada (☞ pág. 12).	
Title	Permite que V. coloque um título pré-ajustado sobre uma cena (☞ pág. 32)	
Date/Time	Permite que V. ajuste a data e hora atuais (☞ pág. 11).	

☐ = Ajuste de fábrica

SUBMENU

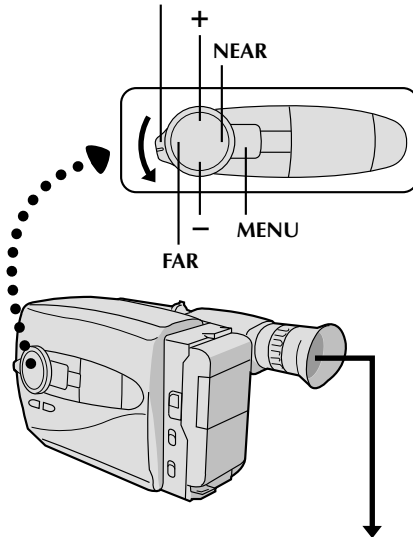
Tally	ON	A lâmpada indicadora acende-se para sinalizar o início da gravação.
	OFF	A lâmpada indicadora permanece desligada o tempo todo.
Interval Timer e Rec. Time	Estas características permitem que V. ajuste os parâmetros para o Temporizador Automático (☞ pág. 34), Animação e gravação com Intervalo de Tempo (☞ pág. 35).	
JLIP ID NO.	Este número será necessário no futuro, ao se conectar a câmera a um dispositivo como um computador, utilizando o terminal JLIP. Os números variam de 01 – 99.	

OBSERVAÇÕES:

- Quando se ajusta a chave **LIGHT ON/AUTO/OFF** da luz de vídeo para "ON" ou "AUTO", o Obturador Lento Automático fica desativado.
- Quando se ativa o Obturador Lento Automático, o Foco Automático pode não funcionar adequadamente.



Seletor de modo de filmar



Shift Zoom	OFF
Tele Macro	OFF
Gain Up	AGC
Color Filter	NOR.
Tape Length	T30
Title	
Date/Time	
Sub Menu	

OFF
Happy Birthday
Our Vacation
Merry Christmas
A Special Day
Happy Holidays
Our New Baby
Wedding Day
Congratulations
(Set Character)

Congratulations

Títulos Instantâneos

V. pode sobrepor um dentre 8 títulos pré-ajustados, ou um título que V. mesmo fez, sobre uma cena.

1 SELECIONE O MODO DE FILMAR
Ajuste o seletor de Modo de Filmar para "PRESET".

2 ACESSE A TELA DE MENU PRINCIPAL

Aperte **MENU**.

3 ACESSE A TELA DE MENU DE TÍTULO INSTANTÂNEO

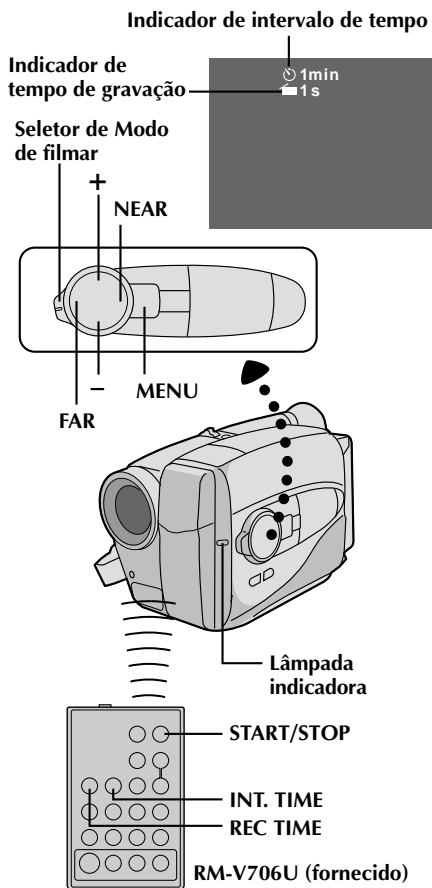
Aperte + ou - para mover a barra de destaque para "Title", e então aperte **NEAR**. O menu Título aparece.

4 SELECIONE O TÍTULO PRÉ-AJUSTADO

Aperte + ou - para mudar a barra de destaque para o título desejado. (Para criar um título original, consulte a página 33.)

5 EXIBA O TÍTULO PRÉ-AJUSTADO

Aperte **MENU**. O menu Título desaparece e o título selecionado aparece na tela.



Shift Zoom	OFF
Tele Macro	OFF
Gain Up	AGC
Color Filter	NOR.
Tape Length	T30
Title	
Date/Time	
Sub Menu	

Tela de Menu Principal

Tally	ON
Interval Timer	OFF
Rec Time	OFF
JLIP ID NO.	07

Tela de Submenu

Temporizador Automático

V. pode ajustar a quantidade de retardo entre apertar **Iniciar/Parar Gravação** e o início real da gravação. Se apoiar a câmera, V. (ou qualquer outra pessoa que a estiver operando) pode entrar na cena antes que a gravação comece).

1 ATIVE O MODO ESPERA DE GRAVAÇÃO

Certifique-se de que a tampa da lente está aberta, ajuste a chave da alimentação para "CAMERA" e aperte **Iniciar/Parar Gravação**.

2 SELECIONE O MODO DE FILMAR

Ajuste o seletor de Modo de Filmar para "PRESET".

3 ACESSE A TELA DE MENU PRINCIPAL

Aperte **MENU**.

4 ACESSE A TELA DE SUBMENU

Aperte - para mover a barra de destaque para baixo, até "Sub Menu" e então aperte **NEAR**. A tela de Submenu aparece.

5 AJUSTE O INTERVALO DE TEMPO

Aperte - para mover a barra de destaque para baixo até "Interval Timer", aperte **NEAR** e então aperte + ou - para circular pelas alternativas. Pare quando o tempo desejado aparecer. Escolha entre "15S", "30S", "1min", "5min", ou seleccione "OFF" para desligar a função. Em seguida aperte **FAR** duas vezes para voltar para a tela de Menu Principal.

6 FECHER O MENU PRINCIPAL

Aperte **MENU**.

7 COMECE A GRAVAÇÃO COM ESPERA

Aperte **INICIAR/PARAR GRAVAÇÃO**. Se V. ajustar a lâmpada indicadora para "ON" (☺ pág. 31), ela começa a piscar e a frequência de piscamento aumenta cerca de 5 segundos antes da gravação começar. Quando a gravação começa, a lâmpada pára de piscar e permanece acesa.

Para liberar o Temporizador Automático . . .

..... enquanto a lâmpada indicadora estiver piscando, aperte **INICIAR/PARAR GRAVAÇÃO** para parar o piscamento e então ajuste "Interval Timer" para "OFF" ou aperte **INT. TIME** na unidade de controle remoto até "☺" desaparecer.

..... enquanto a lâmpada indicadora estiver acesa, mas não piscando, ajuste "Interval Timer" para "OFF" ou aperte **INT. TIME** no controle remoto, até "☺" desaparecer.

OBSERVAÇÃO:

Em vez de executar os passos 2 - 6, V. pode ajustar o intervalo de tempo apertando **INT. TIME** no controle remoto.



Animação

Dá às cenas ou objetos estáticos uma ilusão de movimento. Esta função permite que V. filme uma série de imagens da mesma cena, levemente diferentes uma da outra durante um período de tempo curto.

- 1 ATIVE O MODO ESPERA DE GRAVAÇÃO**
Certifique-se de que a tampa da lente está aberta, então ajuste a chave da alimentação para CAMERA.
- 2 AJUSTE A VELOCIDADE DA GRAVAÇÃO**
Ajuste **SP/EP** para SP (☞ pág. 13).
- 3 AJUSTE O TEMPO DE GRAVAÇÃO**
Aperte **REC TIME** no controle remoto. Quatro alternativas ficam disponíveis e aparecem na seguinte ordem (a cada vez que se pressiona **REC TIME**): 1/4S (um quarto de segundo), 1/2S (meio segundo), 1S (um segundo inteiro) e 5S (cinco segundos). Aperte novamente para liberar o modo Animação.
 - V. também pode ajustar o tempo de gravação na tela de Submenu (☞ pág. 32). Aperte “-” para mover a barra de destaque para “Rec Time”, aperte **NEAR** e aperte + ou - para circular pelas alternativas.
- 4 INICIE A GRAVAÇÃO**
Aperte Iniciar/Parar Gravação depois de focalizar o objeto. A gravação pára automaticamente após o período de tempo selecionado.
- 5 MONTE A SÉRIE DE IMAGENS**
Repita os passos 3 e 4 para o número de imagens desejadas.
- 6 VERIFIQUE O SEU TRABALHO**
Reproduza a série de imagens para ver se os resultados foram satisfatórios.
- 7 LIBERE O MODO ANIMAÇÃO**
Aperte **REC TIME** até “■” desaparecer do visor, ou ajuste “Rec Time” na tela de Submenu, para “OFF”.

OBSERVAÇÕES:

- Para melhores resultados certifique-se de que a câmera está apoiada quando filmar no modo Animação ou Intervalo de Tempo.
- Não é possível executar Aparecer/Desaparecer durante a filmagem com Animação ou Intervalo de Tempo.
- Antes de executar outras operações em seguida à gravação com Animação ou Intervalo de Tempo, certifique-se de que o modo Animação ou Intervalo de Tempo está desativado.

Intervalo de Tempo

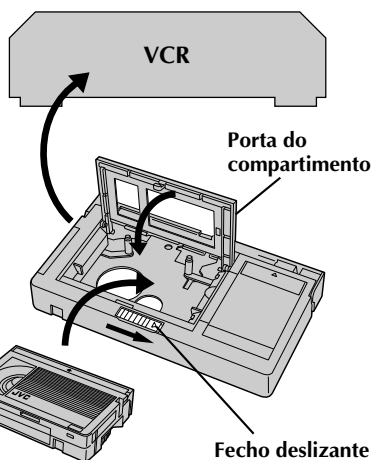
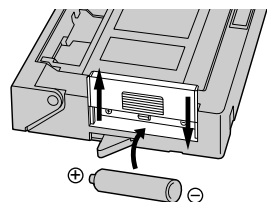
Você pode gravar seqüencialmente a intervalos de tempo pré-ajustados. Deixando a câmera focalizada em um assunto específico, você pode gravar mudanças sutis durante um período de tempo prolongado.

- 1 ATIVE O MODO ESPERA DE GRAVAÇÃO**
Certifique-se de que a tampa da lente está aberta, então ajuste a chave da alimentação para CAMERA.
- 2 AJUSTE A VELOCIDADE DA GRAVAÇÃO**
Ajuste **SP/EP** para SP (☞ pág. 13).
- 3 ATIVE O MODO ESPERA DE GRAVAÇÃO**
Aperte **REC TIME** no controle remoto. Há 4 alternativas disponíveis, que aparecem na seguinte ordem (a cada vez que se pressiona **REC TIME**): 1/4S, 1/2, 1S e 5S. Pressione novamente para resetar.
 - V. também pode ajustar o tempo de gravação na tela de Submenu (☞ pág. 32). Aperte “-” para mover a barra de destaque para “Rec Time”, aperte **NEAR** e aperte + ou - para circular pelas alternativas.
- 4 AJUSTE O INTERVALO ENTRE AS GRAVAÇÕES**
Aperte **INT. TIME** no controle remoto. Há 5 alternativas disponíveis, que aparecem na seguinte ordem, (a cada vez que se pressiona **INT. TIME**): OFF, 15S, 30S, 1 min e 5 min. Pressione novamente para resetar.
 - V. também pode ajustar o intervalo de tempo na tela Submenu. Aperte “-” para mover a barra de destaque para baixo, até “Interval Timer”, aperte **NEAR** e aperte + ou - para circular pelas alternativas.
 - Os ajustes de controle de Exposição (☞ pág. 22), foco manual (☞ pág. 25) e D.I.S. (☞ pág. 22) devem ser executados neste ponto. Uma vez executado o passo 5, estes ajustes não podem ser mudados.
- 5 INICIE A GRAVAÇÃO COM INTERVALO DE TEMPO**
Aperte Iniciar/Parar Gravação. A gravação e os intervalos de tempo se alternam automaticamente.
- 6 LIBERE O MODO INTERVALO DE TEMPO**
Para liberar quando a lâmpada indicadora não estiver piscando, aperte **INT. TIME** e **REC TIME** repetidamente, até “■” e “⊙” desaparecerem. Para liberar quando a lâmpada indicadora estiver piscando, aperte **INICIAR/PARA GRAVAÇÃO** para parar o piscamento e então aperte **INT. TIME** e **REC TIME** repetidamente, até desaparecerem “■” e “⊙”, ou ajuste “Interval Timer” e “Rec Time” na tela de Submenu para “OFF”.

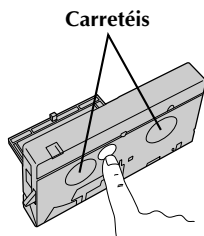


36_{PO}

REPRODUÇÃO Para Utilizar o Adaptador de Cassete



Fita de vídeo compacta



Adaptador de Cassete (Playpak VHS)

Use-o para reproduzir uma fita de vídeo VHS-C gravada com esta câmera. Ela é totalmente compatível com qualquer gravador videocassete. O adaptador C-P7U é alimentado a bateria e executa automaticamente o carregamento e descarregamento.

1 COLOQUE A BATERIA

Deslize a tampa da bateria para retirá-la e instale uma bateria tamanho "AA(R6)", como demonstrado na ilustração à esquerda. Depois recoloca a tampa.

2 INTRODUZA A FITA NO ADAPTADOR

Deslize o fecho para abrir a porta do compartimento do adaptador e então introduza a fita de vídeo e feche a porta do compartimento.

3 REPRODUZA NO VCR CONECTADO

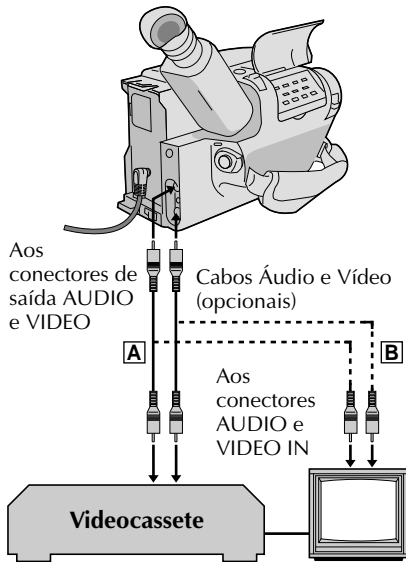
Carregue o adaptador de cassete no videocassete e reproduza a fita, como faria com qualquer outra.

4 RETIRE A FITA DO ADAPTADOR

Deslize o fecho e a porta do compartimento se abre automaticamente. Depois introduza o dedo no orifício do lado de baixo do adaptador, como demonstrado na ilustração à esquerda, empurre para cima e retire-a.

OBSERVAÇÕES:

- Durante o carregamento e descarregamento da fita, não toque nos carretéis de segurança e proteção da fita.
- Durante a reprodução de efeitos especiais (câmera lenta, quadro fixo, etc.), a imagem pode vibrar ou podem aparecer barras de ruído na tela.
- Para gravar em um videocassete usando uma fita de vídeo compacta e o adaptador, cubra o orifício de proteção de gravação com fita adesiva.



Existem três tipos básicos de conexões. Quando fizer as conexões, consulte também os manuais de instruções do seu videocassete e da sua TV.

Conexão a um VCR [A] (Edição, Cópia e Reprodução)

OBSERVAÇÃO:

Use os cabos Áudio e Vídeo opcionais.

1 LIGUE A CÂMERA AO VIDEOCASSETE

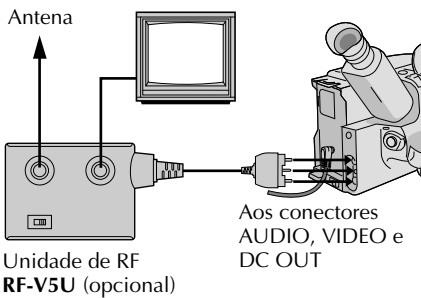
Seguindo a ilustração à esquerda, conecte os cabos Áudio e Vídeo opcionais entre os conectores AUDIO e VIDEO da câmera e os do videocassete.

2 LIGUE A ALIMENTAÇÃO

Ligue a câmera, o videocassete e a TV.

3 SELECIONE O MODO

Ajuste o videocassete para o modo de saída AUX ou para o canal 3.



Conexão a uma TV Equipada com Conectores de Saída A/V [B] (SOMENTE Reprodução)

OBSERVAÇÃO:

Use os cabos Áudio e Vídeo opcionais.

1 LIGUE A CÂMERA AO VCR

Seguindo a ilustração à esquerda, conecte os cabos Áudio e Vídeo opcionais entre os conectores AUDIO e VIDEO da câmera e os da TV.

2 SELECIONE O MODO

Ajuste a TV ao modo VIDEO ou AV (como especificado nas instruções da TV).

OBSERVAÇÕES:

- Recomenda-se usar o Adaptador CA/ Carregador como fonte de alimentação, no lugar da bateria.
- Para monitorar a imagem e o som da câmera, sem colocar uma fita, coloque a chave de alimentação em CAMERA, e então ajuste a sua TV para o modo de saída apropriado.
- Se a sua TV ou alto-falantes não estiverem especialmente protegidos, não os coloque perto da TV, pois poderá ocorrer interferência na imagem de reprodução da câmera.

Conexão a uma TV SEM Conectores de Entrada A/V (SOMENTE Reprodução)

OBSERVAÇÃO:

Use a unidade de RF opcional RF-V5U.

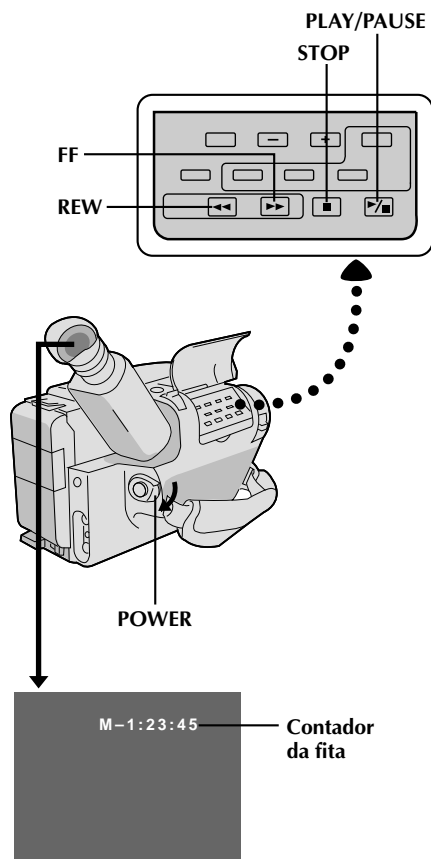
* Consulte o manual de instrução da RF-V5U quanto aos procedimentos para conexão.





38_{PO}

REPRODUÇÃO Reprodução Básica



OBSERVAÇÃO:

Certifique-se de ligar sua câmera da forma orientada em "CONEXÕES BÁSICAS" (pág. 37).

1 COLOQUE A FITA

Deslize **EJECT** para abrir o compartimento da fita. Coloque, então, a fita com a etiqueta para fora. Pressione **PUSH** para assegurar que o compartimento está fechado e travado.

2 SELECIONE O MODO

Ajuste a chave da alimentação para "PLAY". O indicador de Alimentação Ligada se acende.

3 REPRODUZA

Aperte **PLAY/PAUSE**. A imagem da reprodução aparece no visor e na TV conectada.

4 SUSPENDA A REPRODUÇÃO

Aperte **STOP**.

Rebobine ou avance rápido a fita

Durante o modo STOP, aperte REW para rebobinar ou FF para avançar rápido.

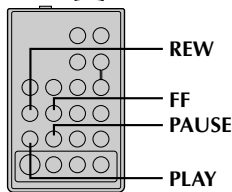
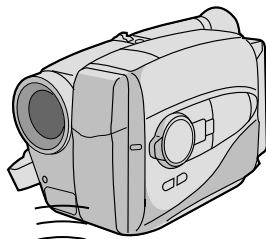
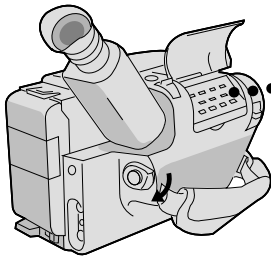
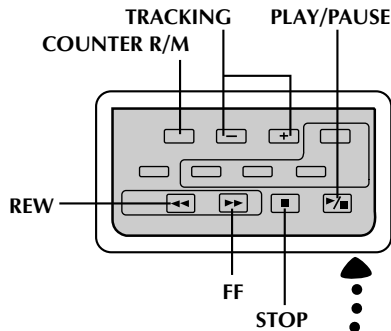
OBSERVAÇÃO:

A câmera desliga-se automaticamente após 5 minutos no modo STOP. Para ligá-la novamente, ajuste a chave da alimentação para "POWER OFF" e então para "PLAY".



REPRODUÇÃO Características

PO 39



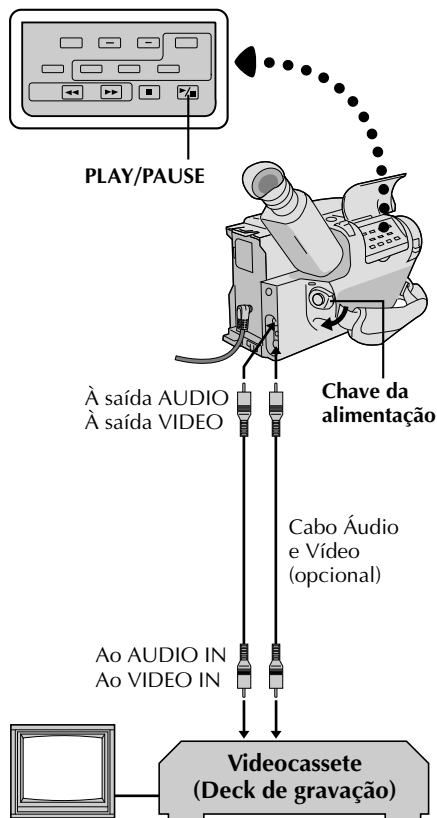
RM-V706U (fornecido)

<p>Característica: Tracking Manual</p> <p>Objetivo: Eliminar barras de ruído que aparecem na tela.</p> <p>Operação: 1) Aperte qualquer um dos botões TRACKING, tantas vezes quanto forem necessárias para obter a melhor imagem.</p> <p>Observações:</p> <ul style="list-style-type: none"> • Para restaurar o pré-ajuste original de TRACKING, aperte os dois botões TRACKING simultaneamente. • O Tracking Manual pode não funcionar com fitas gravadas em outros videocassetes ou câmeras.
<p>Característica: Reprodução de Imagens Fixas</p> <p>Objetivo: Dar pausa durante a reprodução.</p> <p>Operação: 1) Aperte PLAY/PAUSE durante a reprodução. 2) Para retomar a reprodução normal, aperte PLAY/PAUSE novamente.</p> <p>Observação: Durante a Reprodução de Imagens Fixas, podem aparecer barras de ruído e a imagem ficar sem cor. Isso é normal.</p>
<p>Característica: Busca rápida</p> <p>Objetivo: Permitir busca de alta velocidade em ambas as direções.</p> <p>Operação:</p> <p><i>Busca para frente</i></p> <p>1) Aperte FF durante a reprodução. (A velocidade é 3 vezes maior que a normal em SP e 7 vezes a normal no modo EP).</p> <p><i>Busca para Trás</i></p> <p>1) Aperte REW durante a reprodução. (A velocidade é a mencionada acima.)</p> <p>Observação: Durante a Reprodução de Imagens Fixas, podem aparecer barras de ruído e a imagem ficar sem cor. Isso é normal.</p>
<p>Característica: Função Memória do Contador</p> <p>Objetivo: Para facilitar a localização de um segmento de fita específico.</p> <p>Operação:</p> <ol style="list-style-type: none"> 1) Aperte COUNTER R/M e mantenha pressionado mais de 2 segundos. O contador se reajusta para "0:00:00". 2) Aperte COUNTER R/M. Aparece "M". 3) Após gravar ou reproduzir, aperte STOP e então REW. A fita pára automaticamente em 0.00.00 ou próximo disso. 4) Aperte PLAY/PAUSE para iniciar a reprodução. <p>Observações:</p> <ul style="list-style-type: none"> • A memória do contador também funciona nos modos FF e REW. • Para desativar a Função Memória do Contador, aperte COUNTER R/M para que "M" desapareça.



40_{PO}

EDIÇÃO



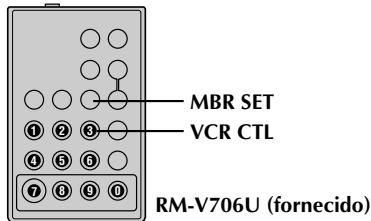
Cópia de Fita

- 1 LIGUE O EQUIPAMENTO**
Seguindo a ilustração à esquerda, conecte a câmera e o videocassete.
- 2 PREPARE PARA COPIAR**
Ajuste a chave de alimentação da câmera para "PLAY", ligue a alimentação do videocassete e coloque as fitas apropriadas na câmera e no videocassete.
- 3 SELECIONE O MODO DO VIDEOCASSETE**
Ative os modos AUX e Gravar-Pausa do videocassete.
- 4 LOCALIZE O PONTO DE ENTRADA DA EDIÇÃO**
Ative o modo Reprodução da câmera para localizar um ponto pouco antes do ponto de entrada da edição. Localizado o ponto, aperte **PAUSE** na câmera.
- 5 COMECE A EDITAR**
Aperte **PLAY** na câmera e ative o modo Gravar do videocassete.
- 6 SUSPENDA TEMPORARIAMENTE A EDIÇÃO**
Ative o modo Gravar-Pausa do videocassete e aperte **PAUSE** na câmera.
- 7 EDITE MAIS SEGMENTOS**
Repita os passos de 4 a 6 para fazer edições adicionais, e então pare o videocassete e a câmera quando tiver terminado.

Edição de Montagem Aleatória [R.A. Edit] (Edição de M.A.)

Crie vídeos editados facilmente usando a sua câmera como reproduzidor fonte. V. pode selecionar até 8 "cortes" para edição automática, em qualquer ordem que quiser. A R.A. Edit é executada mais facilmente quando se ajusta o RM-V706U MBR (Controle Remoto Multimarca) para operar com a sua marca de videocassete (veja lista à esquerda), mas também pode ser executada através da operação manual do videocassete.

CONTINUA NA PÁGINA SEGUINTE



LISTA DE CÓDIGO DE VIDEOCASSETE

MARCA DO VIDEOCASSETE	BOTÕES (A) (B)	MARCA DO VIDEOCASSETE	BOTÕES (A) (B)
GE	1 1 9 2 9 0 9 4	PHILIPS	1 2 9 9
HITACHI	6 6 6 8	PANASONIC	1 3 1 7 9 4 1 8
JVC A B C	9 1 9 6 9 8	RCA	9 2 9 4 6 6 6 3 9 0
MAGNAVOX	9 5 1 1 7 1 7 6	SANYO	3 6 9 5
MITSUBISHI	6 7 6 8	SHARP	1 5 1 0
NEC	3 7 3 8	SONY	6 5 6 0 3 9 3 1
PHILIPS	1 9 9 5 1 1 9 4 9 1 9 6	TOSHIBA	6 9 6 1
		ZENITH	1 6

AJUSTAR O CÓDIGO DO CONTROLE/
VIDEOCASSETE

1

AJUSTE O CONTROLE PARA
OPERAR O VIDEOCASSETE

Desligue a alimentação do videocassete e aponte o controle remoto na direção do sensor de infravermelho do videocassete. Então, consultando a lista à esquerda, aperte e mantenha **MBR SET** pressionado e aperte o botão (A) e depois o (B).

- O código ajusta-se automaticamente quando V. solta o botão **MBR SET** e o videocassete se liga.

2

OPERE O VIDEOCASSETE

Certifique-se de que a alimentação do videocassete está ligada. Então, enquanto pressiona **VCR CTL**, aperte o botão no controle remoto para escolher a função desejada. As funções que o controle remoto pode controlar são PLAY, STOP, PAUSE, FF, REW e videocassete STBY (V. não precisa apertar **VCR CTL** para esta).

V. agora está pronto para experimentar a Edição de Montagem Aleatória.

IMPORTANT

Embora o MBR seja compatível com os VCR JVC, assim como os de muitos fabricantes, é possível que ele não funcione com o seu, ou possa oferecer funções limitadas.

OBSERVAÇÕES:

- Se a alimentação do seu videocassete não entrar no passo 1, tente outro código da lista.
- Algumas marcas de videocassete não ligam automaticamente. Neste caso, ligue manualmente a alimentação e tente o passo 2.
- Se o RM-V706U não for capaz de controlar o videocassete, use os controles no videocassete.

FAZER CONEXÕES

LIGUE A UM . . .

1

A VCR JVC EQUIPADO COM TERMINAL
PAUSE REMOTO

Conecte o cabo de edição ao terminal PAUSE Remoto.

B VCR JVC NÃO EQUIPADO COM
TERMINAL PAUSE REMOTO

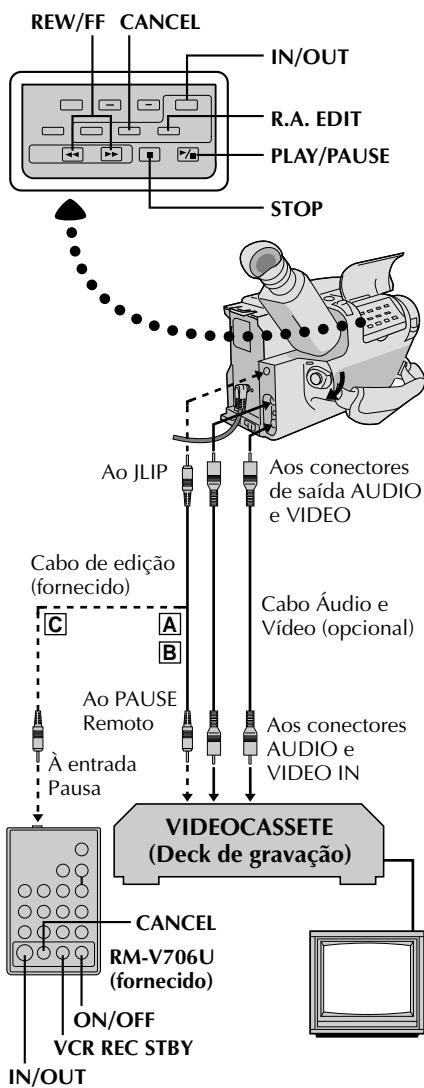
Conecte o cabo de edição ao conector R.A. EDIT.

C VCR NÃO JVC, NÃO EQUIPADO COM
TERMINAL PAUSE REMOTO

Ligue o cabo de edição à tomada Pause-In do RM-V706U.

Todas as outras conexões são mostradas na ilustração da página 42.

CONTINUA NA PÁGINA SEGUINTE



	IN	OUT
1	0:00:25	---
2		
3		
4		
5		
6		
7		
8	COUNTER	0:00:25
9	TOTAL	0:00:00

	IN	OUT
1	0:00:25	0:01:05
2	0:03:18	0:03:31
3	0:02:33	0:02:53
4	0:04:11	---
5		
6		
7		
8	COUNTER	0:04:11
9	TOTAL	0:01:13

PREPARE A CÂMERA

- Introduza uma fita gravada e ajuste a chave de alimentação para PLAY.

PREPARE O VIDEOCASSETE

- Ligue a alimentação, introduza uma fita que possa ser gravada e ative o modo AUX (consulte as instruções do videocassete).

SELECIONAR CENAS

ACESSE O MOSTRADOR DO CONTADOR DE R.A. EDIT

- Aperte **PLAY/PAUSE** e então aperte **R.A. EDIT** e o mostrador do contador aparece no visor e na tela da TV conectada.

REGISTRE O INÍCIO DA CENA

- Aperte **REW** ou **FF** para localizar o início da cena que você deseja e então aperte **IN/OUT** para registrar esse ponto. Os dados aparecem sob IN no mostrador.

REGISTRE O FIM DA CENA

- Aperte **REW** ou **FF** para localizar o fim da cena e aperte **IN/OUT** para registrá-la. Os dados aparecem sob OUT no mostrador. O tempo total da(s) cena(s) registradas é exibido na parte inferior da tela.

REGISTRE CENAS ADICIONAIS

- Repita os passos 2 e 3 para cada cena adicional (8 ao todo).

FAÇA CORREÇÕES

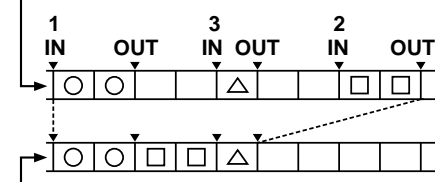
- Aperte **CANCEL** durante os passos 2 e 3 para apagar o ponto registrado mais recentemente.

OBSERVAÇÕES:

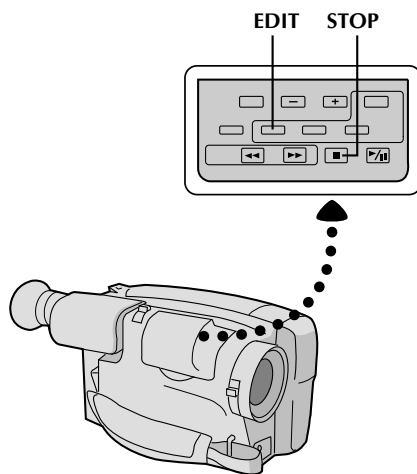
- O RM-V706U também pode ser usado para operar as funções da câmera. Aponte o RM-V706U para o sensor remoto da câmera e pressione qualquer dos seguintes botões:
 - ON/OFF (R.A. EDIT da câmera)
 - IN/OUT (IN/OUT da câmera)
 - CANCEL (CANCEL da câmera)
- Deve haver pelo menos um segundo entre um ponto de entrada e seu ponto de saída correspondente.
- Para assegurar um funcionamento correto, deixe pelo menos 15 segundos de intervalo entre as cenas.
- Partes vazias da fita não podem ser registradas como pontos de entrada ou saída.
- Se a busca de qualquer ponto de entrada durar mais do que 5 minutos, o modo Gravar-Pausa do videocassete será cancelado e a edição não ocorrerá.
- Apertar **R.A.EDIT** provoca o apagamento de todos os pontos de entrada e saída da memória.
- Deixe uma pequena folga em cada ponto de entrada para assegurar que a cena seja gravada em sua totalidade.



FITA ORIGINAL (Câmera)



FITA EDITADA (Videocassete)



EDIÇÃO AUTOMÁTICA NO VIDEOCASSETE

1 ATIVE O MODO GRAVAR-PAUSA DO VIDEOCASSETE

1 Aponte o controle remoto na direção do sensor de infravermelho do VCR e aperte **VCR REC STBY**, ou ative manualmente o modo Gravar-Pausa.

2 COMECE A EDIÇÃO AUTOMÁTICA

2 Aperte **EDIT** na câmera. As cenas previamente selecionadas são copiadas no videocassete na ordem especificada.

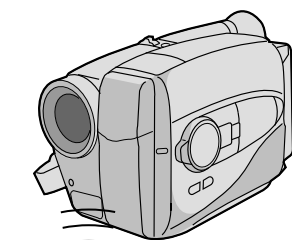
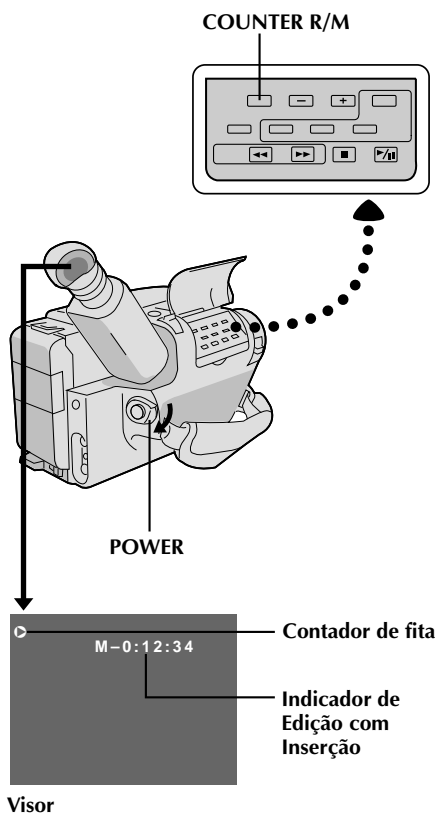
3 FINALIZE A EDIÇÃO AUTOMÁTICA

3 Quando todas as cenas selecionadas tiverem sido copiadas, a câmera e o videocassete entram no modo imagem congelada ou pausa. Aperte **STOP** em ambas as unidades.

- Quando tiver terminado de editar, certifique-se de desconectar o cabo de edição e o cabo áudio/vídeo.

OBSERVAÇÕES:

- Se V. executou o passo 1 na página 41 ("FAZER CONEXÕES"), mantenha o controle remoto apontado para o videocassete durante a edição.
- A exibição na tela só aparece enquanto a câmera procura cada cena.
- Com alguns modelos de videocassete pode ocorrer ruído nos pontos de entrada e saída da fita editada.



RM-V706U (fornecido)

Edição com Inserção

V. pode gravar uma nova cena numa fita gravada previamente, substituindo uma seção da gravação original, com um mínimo de distorção nos pontos de entrada e saída. O áudio original permanece inalterado.

OBSERVAÇÃO:

V. precisa da unidade de controle remoto RM-V706U para executar este procedimento.

SELECIONE O MODO

- 1 Ajuste a chave da alimentação para "PLAY".

LOCALIZE O PONTO DE SAÍDA DA EDIÇÃO

- 2 Localize o ponto e aperte **PAUSE** na câmera ou no controle remoto.

REAJUSTE O CONTADOR

- 3 Aperte e mantenha pressionado **COUNTER R/M** por mais de 2 segundos para zerar o contador da fita e então aperte por menos de 1 segundo e certifique-se de que apareceu "M" no visor.

LOCALIZE O PONTO DE ENTRADA DA EDIÇÃO

- 4 Aperte **REW** para avançar um pouco além do início da cena que você deseja substituir, aperte **PLAY** para ver a fita gravada e aperte **PAUSE** no ponto exato onde a nova cena deve começar.

ATIVE O MODO EDITAR COM INSERÇÃO

- 5 Aperte e mantenha pressionado **INSERT** e, sem soltar **INSERT**, aperte e solte **PAUSE**. O modo Inserir é ativado e a cena focalizada pela câmera aparece na tela.

COMECE A EDITAR COM INSERÇÃO

- 6 Aperte Iniciar/Parar Gravação. Quando o contador atingir "0:00:00", a edição pára automaticamente e a câmera entra no modo Inserir-Pausa.

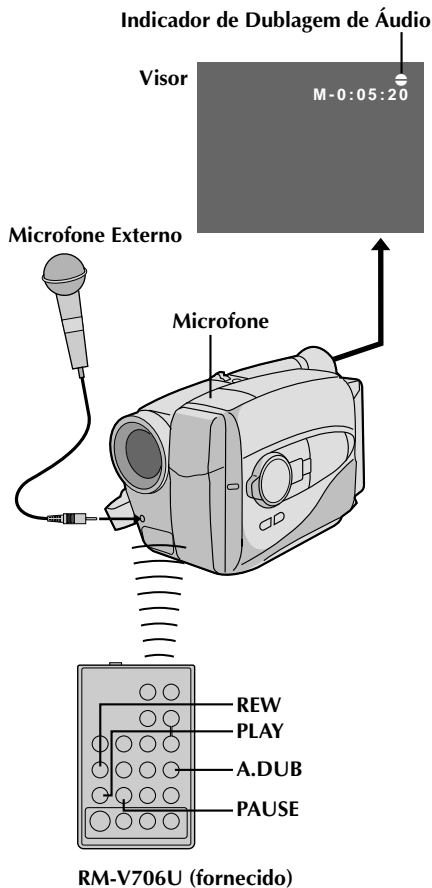
TERMINE A EDIÇÃO COM INSERÇÃO

- 7 Aperte **STOP**.

• Se o efeito Fade/Wipe foi utilizado durante a Edição com Inserção, espere cerca de 10 segundos depois de pressionar **STOP** antes de executar outras operações.

OBSERVAÇÕES:

- Depois do passo 5 pode-se executar Retomar (☰ pág. 18).
- A fita pode parar ligeiramente antes ou depois do ponto de saída desejado e podem aparecer barras de ruído. Nada disso significa defeito da unidade.
- Apenas o sinal de vídeo é gravado no modo Edição com inserção.



RM-V706U (fornecido)

Dublagem de Áudio

V. pode gravar uma nova trilha sonora sobre uma fita pré-gravada (apenas áudio normal).

** Execute os passos 1, 2 e 3 do procedimento de Editar com Inserção (pág. 44) antes de prosseguir.

- O som vem de um microfone interno (ou de um microfone externo, se conectado).

1 LOCALIZE O PONTO DE ENTRADA DA EDIÇÃO

Aperte **REW** para avançar um pouco além do início da cena sobre a qual você deseja copiar um novo áudio, aperte **PLAY** para ver a fita gravada e então aperte **PAUSE** exatamente no ponto onde deve começar a dublagem.

2 ATIVE O MODO ESPERA DE DUBLAGEM DE ÁUDIO

Aperte e mantenha pressionado **A.DUB** e, sem soltar **A.DUB**, aperte e solte **PAUSE**.

3 COMECE A DUBLAGEM DE ÁUDIO

Aperte **PLAY/PAUSE**. Quando o contador atingir "0:00:00", a Dublagem de Áudio pára automaticamente e a câmera entra no modo Espera de Dublagem de Áudio.

4 TERMINE A DUBLAGEM DE ÁUDIO

Aperte **STOP**.

OBSERVAÇÕES:

- Não aperte **FF** ou **REW** durante o Modo Espera de Dublagem de Áudio, senão os pontos de edição não serão precisos.
- Se o microfone estiver muito perto da TV, ou se o volume da TV estiver muito alto, pode ocorrer assobio ou microfonia.

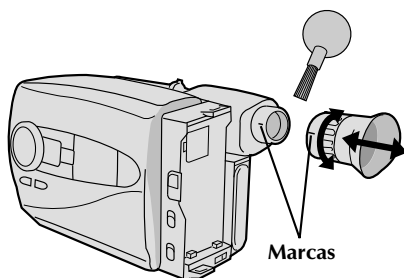
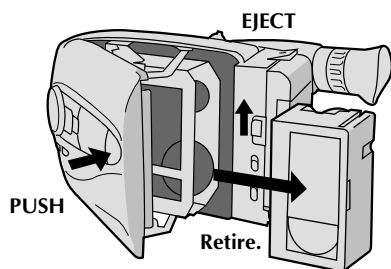
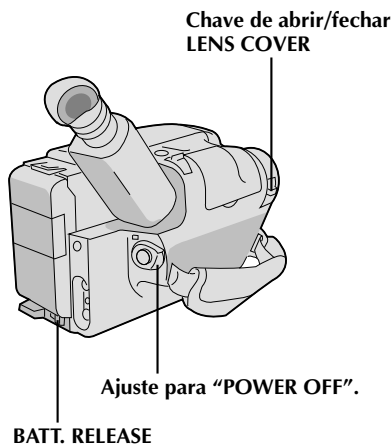
OBSERVAÇÕES (para Edição com Inserção e Dublagem de Áudio):

- A Edição com Inserção e a Dublagem de áudio pode não funcionar corretamente se a fita tiver segmentos em branco, ou se a velocidade de gravação tiver mudado durante a gravação original.
- Para editar/dublar sobre uma fita cujo lacre de segurança tenha sido removido, cubra a abertura com fita adesiva.
- Não aperte **STOP** durante a Edição com Inserção ou Dublagem de Áudio pois os pontos de edição não serão precisos.
- Durante a Edição com Inserção e a Dublagem de Áudio, quando se ativa Inserir-Pausa ou Espera de Gravação de Áudio, o contador pode parar ligeiramente depois de "0:00:00". A gravação, entretanto, pára exatamente em 0:00:00.



46_{PO}

MANUTENÇÃO PELO USUÁRIO



Depois de utilizar

- 1 Coloque a chave da alimentação em POWER OFF para desligar a câmera.
- 2 Deslize EJECT para abrir o compartimento do cassete e então retire a fita.
- 3 Feche e trave o compartimento do cassete pressionando PUSH.
- 4 Aperte BATT. RELEASE para retirar a bateria.
- 5 Deslize a chave de abrir/fechar LENS COVER para fechar a tampa da objetiva.

Para Limpar a Câmera

LIMPE A PARTE EXTERNA

- 1 Limpe suavemente com um pano macio.

LIMPE A LENTE

- 2 Sopre e limpe com um pincel macio e então limpe com papel próprio para limpar lentes.

RETIRE A OCULAR

- 3 Gire a ocular no sentido anti-horário e retire-a.

LIMPE O VISOR

- 4 Retire a poeira com um pincel macio.

RECOLOQUE A OCULAR

- 5 Alinhe as marcas, recoloque a ocular e gire-a no sentido horário.

OBSERVAÇÕES:

- Evite a utilização de agentes de limpeza fortes, como benzina ou álcool.
- A limpeza deve ser feita apenas após a remoção da bateria depois que outras unidades de alimentação tiverem sido desconectadas.
- Sujeira na lente pode provocar a formação de mofo.



DIFICULDADES

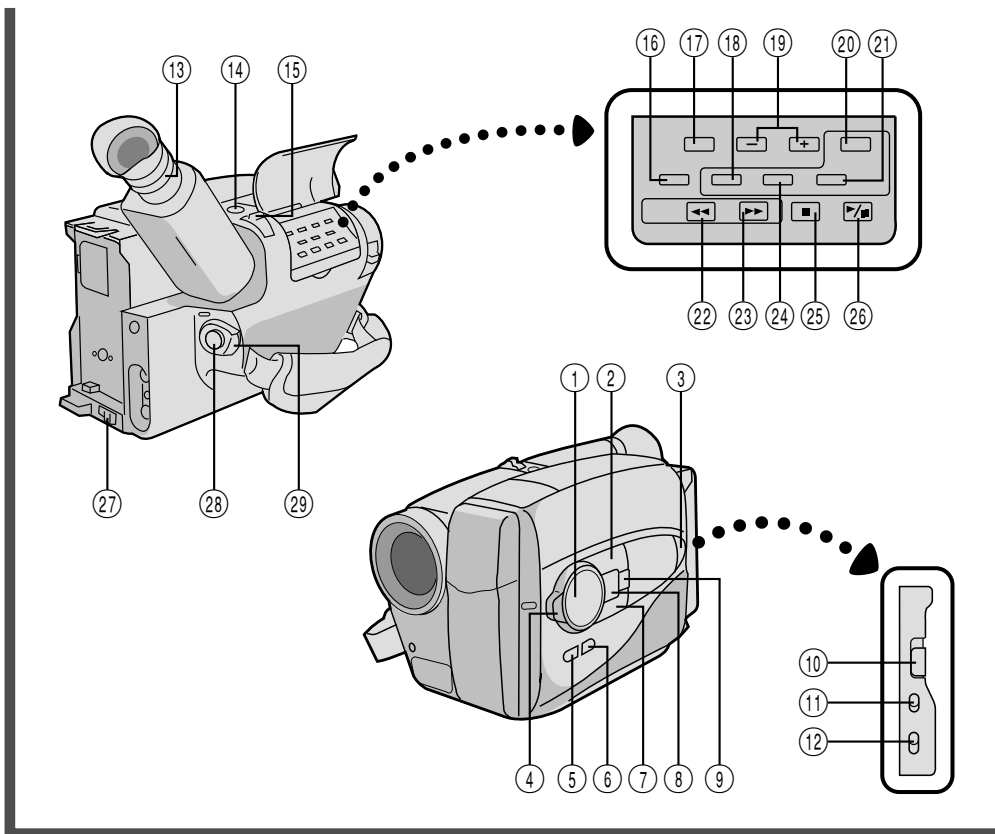
PO 47

SINTOMA	CAUSA(S) POSSÍVEL(EIS)
ALIMENTAÇÃO	
O aparelho não se liga.	<ul style="list-style-type: none">● A bateria não está instalada corretamente (☞ pág. 8).● A bateria não está carregada (☞ pág. 8).● A fonte de alimentação não foi ligada corretamente (☞ pág. 9).
A alimentação desliga-se de repente e não volta sozinha.	<ul style="list-style-type: none">● A bateria está totalmente descarregada.● Retire a fita e desligue a fonte de alimentação e então, após alguns minutos, tente ligar de novo a energia. Se ainda não se ligar, consulte o seu representante JVC mais próximo.
GRAVAÇÃO	
É impossível gravar.	<ul style="list-style-type: none">● O lacre de proteção contra apagamento foi removido. Cubra o orifício com fita adesiva. (Algumas fitas têm lingüetas deslizantes. Neste caso, verifique a posição da lingüeta.)
A gravação não começa.	<ul style="list-style-type: none">● A chave de alimentação da câmera não foi colocada em CAMERA. (☞ pág. 16).
REPRODUÇÃO	
A fita está rodando, mas a imagem da reprodução não aparece.	<ul style="list-style-type: none">● O aparelho de TV não foi ajustado no seu canal ou modo VIDEO.● Se estiver utilizando uma conexão A/V, a chave VIDEO/TV da TV não foi ajustada em VIDEO.● A unidade RF não foi ajustada no canal correto.
Aparecem barras de ruído na reprodução da imagem.	<ul style="list-style-type: none">● A função de tracking manual não foi executada (☞ pág. 39).
A imagem da reprodução fica borrada ou interrompida.	<ul style="list-style-type: none">● As cabeças de vídeo estão sujas ou gastas. Consulte o seu Representante da Assistência Técnica da JVC mais próximo para a limpeza ou substituição.
A indicação do contador fica borrada durante a reprodução de Imagens Fixas.	<ul style="list-style-type: none">● Isso é normal.
TRANSPORTE DA FITA	
A fita pára durante o rebobinamento ou avanço rápido.	<ul style="list-style-type: none">● A Função Memória do Contador foi ativada (☞ pág. 39).
É impossível o rebobinamento ou avanço rápido.	<ul style="list-style-type: none">● A fita já enrolou totalmente num ou noutro carretel.

**48**_{PO}**DIFICULDADES (cont.)**

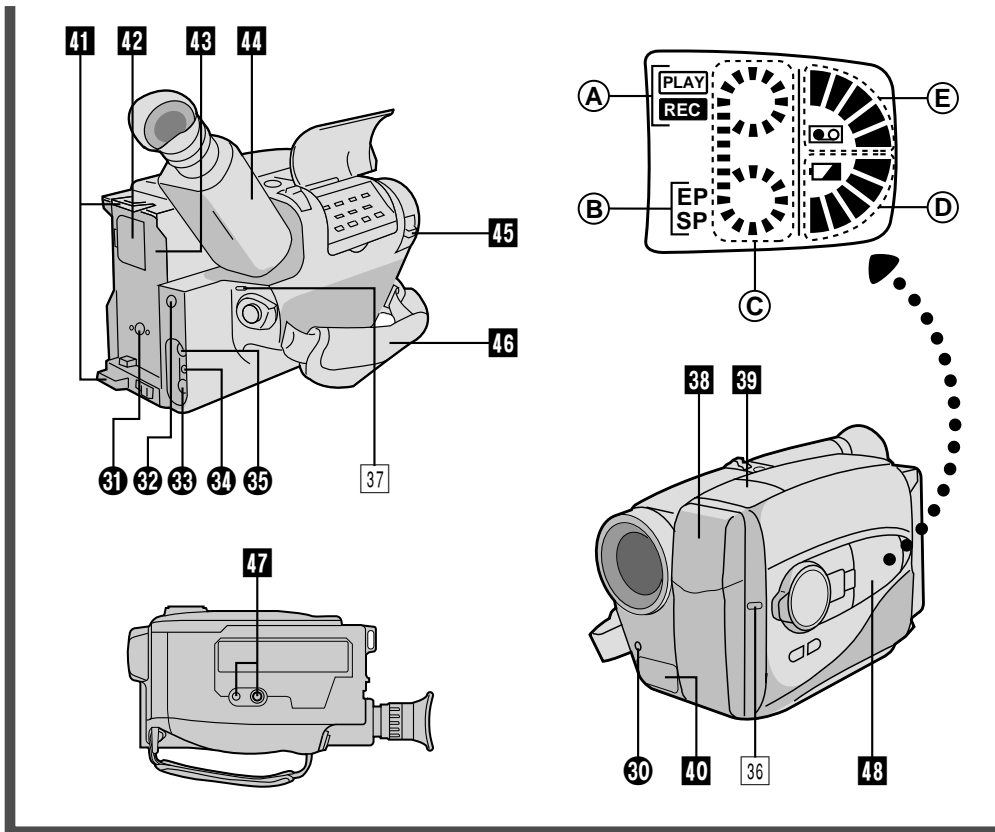
SINTOMA	CAUSA(S) POSSÍVEL(EIS)
OUTROS	
A fita não se ejeta.	<ul style="list-style-type: none">• A bateria está fraca.
Algumas funções não ficam disponíveis.	<ul style="list-style-type: none">• O seletor de modo de filmar está ajustado em "FULL AUTO".
Aparecem linhas verticais quando se filma um objeto muito brilhante.	<ul style="list-style-type: none">• Isso pode ocorrer quando o fundo contrasta muito com o objeto. É normal.
Aparecem manchas brilhantes em forma de cristais no visor.	<ul style="list-style-type: none">• O sol está localizado na frente ou num ângulo quase em frente da lente? Evite deixar a luz do sol incidir diretamente na lente, mudando a posição da câmera, dando um leve zoom positivo ou negativo, fazendo sombra na lente com a mão, etc.
A imagem fica borrada no modo Quick Review ou no modo Retake.	<ul style="list-style-type: none">• Isto é normal ao gravar no modo EP. Algum ruído pode ocorrer na gravação no modo SP (☞ pág. 13).
Aparece um número de erro (E03) no visor.	<ul style="list-style-type: none">• Desligue a câmera e desconecte a alimentação. Após alguns minutos, tente ligar a energia novamente. Se ainda assim o número de erro aparecer no visor, consulte seu representante JVC mais próximo.
A imagem está fora de foco.	<ul style="list-style-type: none">• A dioptria precisa ser ajustada (☞ pág. 10).• A cena que está sendo filmada está sendo afetada de forma adversa pela operação do Foco Automático (☞ pág. 24).• O Shift Zoom (☞ pág. 17) está em uso. Passando-se do zoom óptico, a ampliação é obtida por processamento digital. Isto faz com que a imagem pareça estar fora de foco.
A exibição de um título do gerador de caracteres e a data e hora desaparecem do visor.	<ul style="list-style-type: none">• Se V. retirar a alimentação da câmera enquanto a energia estiver ligada, apagam-se todos os ajustes e seleções. Certifique-se de desligar a câmera antes de desconectar a fonte de alimentação.
Mesmo com a Tampa da Objetiva aberta, o indicador Aviso da Tampa da Objetiva pisca.	<ul style="list-style-type: none">• O indicador de Aviso da Tampa da Objetiva pode piscar quando se usa a câmera em áreas escuras, independente da posição da Tampa da Objetiva.

A câmera é um aparelho controlado por microcomputador. Ruídos e interferências internos (de uma TV ou de um rádio etc.) podem impedi-la de funcionar adequadamente. Nesses casos, primeiramente desligue a fonte de alimentação (bateria, Multi Adaptador CA/Carregador etc.) e a bateria do relógio; então ligue-a novamente, procedendo normalmente desde o começo.



Controles

- ① Controle Multifunção [Botões FAR/NEAR/+/-] pág. 11
- ② Botão EFFECT/PROG.AE [Efeitos Especiais] pág. 26
- ③ Botão PUSH pág. 5
- ④ Seletor de Modo de Filmar pág. 11
- ⑤ Botão DISPLAY [Mostrador] pág. 20
- ⑥ Botão SNAP SHOT MODE [Modo Foto] pág. 21
- ⑦ Botão FADE/WIPE [Aparecer/Desaparecer] pág. 28
- ⑧ Botão MENU pág. 11
- ⑨ D.I.S. [Estabilizador Digital de Imagem] pág. 22
- ⑩ Chave EJECT pág. 5
- ⑪ Chave AUTO PAUSE/ON/OFF [Pausa Automática Ligada/Desligada] pág. 18
- ⑫ Chave LIGHT ON/AUTO/OFF [Seleção de Lâmpada Ligada/Automática/Desligada] pág. 19
- ⑬ Ajuste de Dioptria pág. 10
- ⑭ Botão SNAPSHOT [Foto] pág. 21
- ⑮ Alavanca de Alimentação do Zoom ... pág. 17
- ⑯ Botão MWB [Equilíbrio Manual de Branco] pág. 23
- ⑰ Botão de Seleção de Modo [SP/EP] de Gravação pág. 13
- Botão COUNTER R [Reajustar]/M [Memória] [do Contador] pág. 39
- ⑱ Botão Edit [Edição] pág. 43
- ⑲ Botões TRACKING [Rastreo] +/- pág. 39
- ⑳ Botão R.A. EDIT IN/OUT [Saída/Entrada de Edição de M.A.] pág. 42
- ㉑ Botão R.A. EDIT [Edição de M.A.] pág. 42
- ㉒ Botão REW [Rebobinar] pág. 38
- Botão RETAKE R [Revisão Rápida] pág. 17
- ㉓ Botão FF [Avanço Rápido] pág. 38
- Botão RETAKE F [Retomar Avanço] ... pág. 18
- ㉔ Botão R.A. EDIT CANCEL [Cancelar Edição de M.A.] pág. 42
- ㉕ Botão STOP pág. 5
- ㉖ Botão PLAY/PAUSE pág. 5
- ㉗ Chave BATT. [Bateria] RELEASE [Liberação] pág. 5
- ㉘ Botão Iniciar/Parar Gravação pág. 5
- ㉙ Chave POWER [Alimentação] pág. 10



Conectores

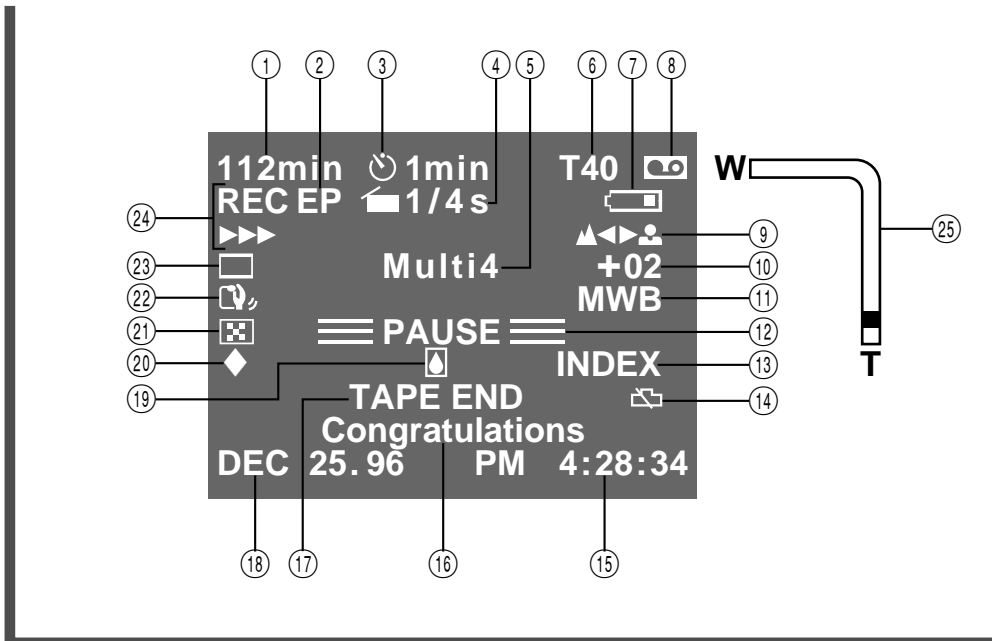
- 30 Tomada MIC externa pág. 45
- 31 Tomada DC IN pág. 9
- 32 Conector J-LIP (Protocolo da Interface de Nível de Joint)
 - Conecte o Cabo de Edição quando executar a Edição de Montagem Aleatória (pág. 42).
 - No futuro, será utilizado para conectar a câmera a um dispositivo como computador pessoal.
- 33 Tomada de saída VIDEO pág. 37
- 34 Tomada RF DC OUT pág. 37
- 35 Tomada de saída AUDIO pág. 37

Indicadores

- 36 Lâmpada Indicadora pág. 16
- 37 Indicador de Alimentação Ligada pág. 16

Outras Peças

- 38 Lâmpada de vídeo pág. 19
- 39 Microfone pág. 45
- 40 Sensor da Unidade de Controle Remoto pág. 15
(Tenha cuidado para não cobrir esta área; aqui dentro está o sensor necessário para filmar.)
- 41 Passadores para a alça do ombro pág. 14
- 42 Compartimento da Bateria do Relógio pág. 10
- 43 Suporte da Bateria pág. 8
- 44 Visor Eletrônico pág. 10
- 45 Chave LENS COVER pág. 5
- 46 Alça da Empunhadura pág. 14
- 47 Parafuso de Suporte do Tripé pág. 14
- 48 Janela de LCD
 - A Indicador de Modo de Operação (Reprodução/Gravação)
 - B Indicador de Modo de Gravação
 - C Indicador de Fita Rodando
 - D Indicador de Carga Restante da Bateria
 - E Indicadores de Fita Carregada/Tempo Restante de Fita



Indicações do Visor

- ① Tempo Restante de Fita ☞ pág. 16
- ② Indicador de Modo(SP/EP) de Gravação ☞ pág. 13
- ③ Indicador de intervalo de tempo. ☞ pág. 34
- ④ Indicador de tempo de gravação ☞ pág. 35
- ⑤ Exibição do Nível de Exposição ☞ pág. 21
- ⑥ Indicador de Comprimento da Fita ☞ pág. 12
- ⑦ Indicador de Carga da Bateria Muda da forma seguinte, de acordo com o nível de carga restante da bateria: "▣▣▣▣-▣▣▣▣-▣▣▣▣-▣▣▣▣". Quando a carga está quase no fim, o indicador pisca, e então a unidade se desliga. Substitua a bateria por uma totalmente carregada. ☞ pág. 8
(Observação: O símbolo contendo três quadrados escuros — ▣▣▣ — não significa necessariamente que a bateria esteja totalmente carregada.)
- ⑧ Indicador de Fita
Pisca quando não houver fita.
Permanece aceso quando houver fita.
- ⑨ Indicador de Foco ☞ pág. 24
- ⑩ Exibição do Nível de Exposição ☞ pág. 22
- ⑪ Indicador do Modo Equilíbrio de Branco ☞ pág. 23
- ⑫ Indicador de Espera de Gravação ☞ pág. 16
- ⑬ Marcação de Código de Índice ☞ pág. 18
- ⑭ Aviso de Relógio
Depois que a energia tiver sido ligada e o indicador piscar por aproximadamente 10 segundos, execute os ajustes de data e hora (☞ pág. 11).
- ⑮ Exibição de Hora ☞ pág. 20
- ⑯ Título Instantâneo ☞ pág. 32
- ⑰ Exibição de Fim da Fita ☞ pág. 16
Aparece quando se chega ao fim da fita durante a reprodução, gravação ou avanço rápido para a frente.
- ⑱ Exibição de data ☞ pág. 20
- ⑲ Aviso de Condensação
Quando o indicador aparece, todas as funções ficam desativadas. Desligue a unidade (sem retirar a fonte de alimentação) por algumas horas e quando ligá-la novamente o indicador deve desaparecer.
- ⑳ Indicador de Mudança de Ajuste do Menu Principal ☞ pág. 31
- ㉑ Indicador FADE/WIPE (Aparecer/Desaparecer) ☞ pág. 28
- ㉒ Indicador D.I.S. (Estabilizador Digital de Imagem) ☞ pág. 22
- ㉓ Indicador EFFECT/PROG. AE (Efeitos Especiais) ☞ pág. 26
- ㉔ Indicador de Gravação ☞ pág. 16
- ㉕ Barra Indicadora de Zoom ☞ pág. 17

**A**

Acessórios Fornecidos	pág. 6
Adaptador de CA	pág. 9
Adaptador de cassete	pág. 36
Ajuste do Equilíbrio do Branco	pág. 23
Ajuste do Código do MBR (Remoto Multimarca)	pág. 41
Ajuste de Data/Hora	pág. 11
Ajuste de Dioptria	pág. 10
Ajuste do Modo Gravar	pág. 13
Ajuste do Comprimento da Fita	pág. 12
Ajuste da Empunhadreira	pág. 14
Ajuste do visor	pág. 10
Aparecer/Desaparecer	pág. 28
Anvançar Rápido a Fita	pág. 38

B

Bateria	págs. 8, 53
Bateria do Automóvel	pág. 9
Bateria (de lítio) do Relógio	pág. 10
Busca Rápida	pág. 39

C

Carregar a Bateria	pág. 8
Clarear a Imagem	pág. 22
Conexão a um VCR/TV	pág. 37
Contador da Fita	pág. 38
Controle de Exposição	pág. 22
Cópia de Fita	pág. 40

D

Descarregar da Bateria	pág. 8
Dublagem de Áudio	pág. 45

E

Edição com Inserção	págs. 44
Edição de Montagem Aleatória	págs. 40–43
Escurecer a Imagem	pág. 22
Especificações	pág. 55
Espera de Gravação	pág. 16
Estabilizador Digital de Imagem	pág. 22

F

Filmagem com Intervalo de Tempo	pág. 35
Foco Automático	pág. 24
Foco Manual	pág. 25
Foto	pág. 21

G

Gerador de Caracteres	pág. 33
Gravação	pág. 16
Gravação, Características Avançadas	pág. 20–35
Gravação com Animação	pág. 35
Gravação, Iniciar/Parar	pág. 16

I

Índice	pág. 7
Inserção de Data/Hora	pág. 20
Introduzir a Fita	pág. 13

L

LCD (Mostrador de Cristal Líquido)	pág. 50
--	---------

M

Marcação do Código de Índice	pág. 18
Marcador de Carga	pág. 9
Memória do Contador	pág. 39
Menu Principal	pág. 31
Modo Cinema	pág. 27
Modo Crepúsculo	pág. 27
Modo Esportes	pág. 27
Modo Obturador de Alta Velocidade	pág. 27
Modo Sépia	pág. 27
Montagem do Tripé	pág. 14

P

Prender a Alça do Ombro	pág. 14
Programa AE com Efeitos Especiais	pág. 27
Proteção Contra Apagamento	pág. 13

R

Rebobinar a Fita	pág. 38
Retirar a Fita	pág. 13
Reprodução	pág. 36
Reprodução Fixa	pág. 39
Retomar	pág. 18
Revisão Rápida	pág. 17

S

Shift zoom	pág. 17
Submenu	pág. 31

T

Temporizador de Intervalo	pág. 34
Títulos Instantâneos	pág. 32
Tracking	pág. 39
Trava do Foco	pág. 24

U

Unidade de Controle Remoto	pág. 15
----------------------------------	---------

V

Visor, Indicações	pág. 51
-------------------------	---------

W

Wipe in/out	pág. 28
-------------------	---------

Z

Zoom	pág. 17
------------	---------



CAUTIONS

PO 53

AVISOS:

Luz de Vídeo

- A lâmpada de vídeo fica extremamente quente. Não toque nela nem durante a operação nem logo após desligá-la, caso contrário poderá sofrer ferimentos sérios.
- Não coloque a câmera na sacola imediatamente após usar a lâmpada de vídeo, pois ela permanece extremamente quente.
- Quando operar, mantenha uma distância de aproximadamente 30 cm entre a lâmpada do vídeo e as pessoas ou objeto.
- Não use perto de materiais inflamáveis ou explosivos.
- Recomenda-se consultar o representante JVC mais próximo para substituir a lâmpada.

Mau funcionamento

Se ocorrer mau funcionamento, pare de usar a unidade imediatamente e consulte seu revendedor JVC local.

Precauções Gerais com as Baterias

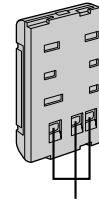
- Quando o C-P6U ou C-P7U (adaptador de fita) não estiverem funcionando mesmo quando operado corretamente, as baterias estão descarregadas. Substitua-as por baterias novas.
- Use somente as seguintes baterias na unidade:
C-P6U ou C-P7U tamanho AA (R6)

Por favor, observe as seguintes regras no uso das baterias. Quando usadas incorretamente, as baterias podem vazar ou explodir.

1. Consulte as instruções do C-P6U/C-P7U quando for substituir as baterias.
2. **Não** use baterias novas e velhas misturadas.
3. **Não** use dois tipos diferentes de baterias. Embora os tamanhos possam ser os mesmos, as tensões podem ser diferentes.
4. **Não** exponha as baterias a calor excessivo, pois elas podem vazar ou explodir.
5. **Não** jogue as baterias no fogo.
6. Remova as baterias da unidade se elas forem armazenadas durante um longo período de tempo para evitar vazamento da bateria, o que pode causar mau funcionamento.

Baterias

As baterias fornecidas são de níquel cádmio e níquel-hidreto de metal. Assegure-se de ler cuidadosamente os avisos incluídos na bateria.



Terminais

1. Para evitar riscos . . .

- **não** queime.
- **não** provoque curto-circuito nos terminais.
- **não** modifique nem desmonte.
- use apenas os carregadores especificados.

2. Para evitar danos e prolongar a vida útil:

- **não** submeta a choques desnecessários.
- evite carregar repetidas vezes sem descarregar.
- carregue em um ambiente onde a temperatura esteja dentro dos limites de tolerância da lista abaixo. Esta é uma bateria de reação química - temperaturas mais baixas impedem a reação química, enquanto temperaturas mais altas impedem a recarga total.
- armazene em local seco e fresco. A exposição prolongada a altas temperaturas aumentará a descarga natural e abreviará a vida útil.
- evite armazená-la descarregada por muito tempo
- retire do carregador ou da unidade ligada quando não estiver em uso; alguns aparelhos consomem corrente, mesmo quando desligados.

3. Para evitar danos à câmera . . .

- substitua a bateria quando começar a dar menos tempo de gravação por carga.

OBSERVAÇÃO:

É normal a bateria se aquecer durante o carregamento, ou depois de ser usada.

Faixas de temperatura

Carregamento 10°C a 35°C

Operação 0°C a 40°C

Armazenamento -10°C a 30°C

OBSERVAÇÕES:

- O tempo de recarregamento é baseado na temperatura ambiente de 20° C.
- Quanto mais baixa a temperatura, maior o tempo de carregamento.



Fitas

Para utilizar e armazenar adequadamente as suas fitas, certifique-se de ler os seguintes cuidados:

1. Durante a utilização . . .

- certifique-se de que a fita contém a marca VHS-C.
- esteja atento para o fato de que gravar em fitas pregravadas apaga automaticamente os sinais de áudio e vídeo.
- certifique-se de que a fita está posicionada adequadamente quando colocá-la.
- não coloque e retire a fita repetidamente sem deixá-la correr. Isso afrouxa a fita e pode resultar em dano.
- não abra a tampa da frente da fita. Isso expõe a fita a marcas de dedos e poeira.

2. Armazene as fitas . . .

- longe de aquecedores e outras fontes de calor.
- longe da luz direta do sol.
- onde não fiquem expostas a choques e vibrações desnecessários.
- onde não fiquem expostas a campos magnéticos fortes (como os gerados por motores, transformadores ou ímãs).
- verticalmente, em suas próprias caixas.

Unidade Principal

1. Por questão de segurança, NÃO . . .

- abra o gabinete da câmera.
- desmonte ou modifique a unidade.
- provoque curto-circuito nos terminais da bateria.
- Mantenha-a longe de objetos metálicos quando não a estiver utilizando.
- permita que líquidos inflamáveis ou objetos metálicos penetrem na unidade.
- retire a bateria ou desconecte a fonte de alimentação quando a energia estiver ligada.
- deixe a bateria inserida quando a câmera não estiver em uso.

2. Evite usar a unidade . . .

- em lugares sujeitos a umidade ou poeira excessivas.
- em lugares sujeitos a fuligem ou vapor, como perto de fogões.
- em lugares sujeitos a choques ou vibrações excessivos.
- perto de um aparelho de televisão.
- perto de aparelhos que gerem campos magnéticos fortes ou elétricos (alto-falantes, antenas de transmissão, etc.).
- em lugares sujeitos a temperaturas extremamente altas (acima de 40°C ou 104°F) ou extremamente baixas (abaixo de 0°C ou 32°F).

3. NÃO deixe a unidade . . .

- em lugares com temperatura superior a 50°C (122°F).
- em lugares onde a umidade seja extremamente baixa (abaixo de 35%) ou extremamente alta (acima de 80%).
- sob a luz direta do sol.
- em um carro fechado durante o verão.
- perto de um aquecedor.

4. Para proteger a unidade, NÃO . . .

- permita que ela se molhe.
- a deixe cair ou bater em objetos pesados.
- a sujeite a choque ou vibração excessivos durante o transporte.
- mantenha a ocular direcionada para objetos extremamente brilhantes durante longos períodos.
- aponte a ocular do visor na direção do sol.
- a carregue segurando pelo visor.
- a balance excessivamente quando estiver usando a alça do ombro.

5. Esta câmera está equipada com um limpador interno de cabeça que limpa automaticamente as cabeças e o cilindro das cabeças quando se coloca ou se retira uma fita. Entretanto, se as cabeças ficarem sujas e provocarem borrões ou interrupções na imagem da reprodução, consulte o seu revendedor JVC mais próximo.

Condensação de umidade . . .

- V. já observou que um líquido frio colocado num copo faz com que se formem gotas de água na superfície externa do copo. Esse mesmo fenômeno ocorre no cilindro da cabeça da câmera quando ela é tirada de um lugar frio para um lugar quente, depois que um ambiente frio se aquece ou em um lugar diretamente sujeito ao ar frio de um condicionador de ar.
- A umidade do cilindro da cabeça pode provocar danos graves à fita, podendo acarretar danos internos na própria câmera.



ESPECIFICAÇÕES

PO 55

GERAIS

Formato	: Padrão VHS NTSC
Alimentação	: DC 6 V
Consumo	
luz ligada	: 8,9 W
luz desligada	: 5,9 W
Sistema de sinal	: tipo NTSC
Sistema de gravação de vídeo	
Luminância	: Gravação FM
Cor	: Gravação direta de subportadora convertida * Em conformidade com o padrão VHS
Fita de vídeo	: Fita
Velocidade da fita	
SP	: 33,35 mm/s (1-5/16 pol/s)
EP	: 11,12 mm/s (7/16 pol/s)
Tempo de gravação (máx.)	
SP	: 40 minutos
EP	: 120 minutos (com fita TC-40)
Temperatura de operação	: 0°C a +40°C (32°F a 104°F)
Umidade de operação	: 35% a 80%
Temperatura de armazenamento	: -20°C a +50°C (-4°F a 122°F)
Peso	: Aprox. 780 g
Dimensões (incluindo visor)	: 109 (L) x 113 (A) x 206 (P) mm

CÂMERA

Sensor de leitura	: CCD formato 1/4"
Objetiva	: F1,2, f = 4,1 a 57,4 mm, lente de zoom de 14:1 com controle automático de íris e macro, filtro de 46 mm de diâmetro
Visor	: Visor eletrônico com LCD colorido de 0,55"
Ajuste de equilíbrio de branco	: Ajuste Automático/Manual

VÍDEO

Saída	: 1Vp-p, 75 ohms, não balanceado (via conector de saída VIDEO)
-------	--

ÁUDIO

Saída	: -8 dB, 1 k ohm (via conector de saída AUDIO)
Entrada para microfone externo	: -68 dBs, alta impedância, não balanceado com ø3,5 mm (MONO)

CARREGADOR AC/ADAPTADOR (AA-V11EG)

Alimentação	: CA 110 a 240V~, 50/60 Hz
Consumo	: 23 W
Saída	
CARGA	: DC 8,5 V , 1,3 A
VTR	: DC 6,3 V , 1,8 A
Sistema de carregamento	: Corrente constante, detecção de pico, controlado por temporizador
Dimensões	: 150 (L) x 42 (A) x 68 (P) mm
Peso	: Aprox. 350 g

ADAPTADOR DE CASSETE (C-P7U)

Dimensões	: 188 (L) x 25 (A) x 104 (P) mm
Peso	: Aprox. 240 g
Acessório	: 1 bateria tamanho "AA (R6)"

Acessórios Fornecidos **pág. 6**

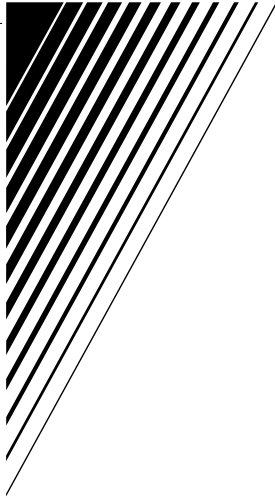
Acessórios Opcionais

- Baterias BN-V12U, BN-V22U, BN-V25U
- Carregador de Bateria de Automóvel BH-V3U
- Carregador de Bateria BH-VC10U
- Fio de Bateria de Automóvel AP-V7U
- Unidade de RF RF-V5U
- Fitas Compact VHS-C TC-40/30/20
- Sacola CB-V7U

* Alguns acessórios não estão disponíveis em algumas áreas. Consulte o seu revendedor JVC mais próximo para obter mais detalhes sobre os acessórios e sua disponibilidade.

*Estas especificações são para o modo SP, exceto especificação em contrário.
Projeto e especificações E.&.O.E. sujeitos a alterações sem aviso prévio.*





GR-AX1027

JVC

COMPACT
VIDEOCAMERA
CÂMERA VÍDEO


GR-



JVC
VICTOR COMPANY OF JAPAN, LIMITED



COPYRIGHT© 1996 VICTOR COMPANY OF JAPAN, LTD.

UMI  Printed in Japan
0396MKV*UN*VP

